

Job Name: 26-1141 - KYTC Warren Co (261106)  
 Job Location: Bowling Green, KY  
 Contractor: Mick-Murf Construction Inc.

Plant: 100  
 3/17/2026 4:00:51 PM

Tech: Jared - F  
 PC: C. Goff



**Structure ID: A06 (4)**

**P1 BX2424-08BAVF**

**BOX BASE 8inW, 8inF, Variable Ht T/n**

- P3) 8" x 120" - CB INLET KY B 10' TOP F/G - 9"
- P2) 24" x 120" - CB INLET KY B 10' BOTTOM LEFT T/G - 17"
- P1) 24" x 24" - BOX BASE 8inW, 8inF, Variable Ht T/n - 27"
- 1) 24" x 24" - Conseal CS-102 1.00"
- 2) Hole - 18

1660 lb  
 2650 lb  
 3052 lb  
 0 lb  
 0 lb  
 -----  
 Structure Total: 7363 lb

**Structure Notes:**  
 \*\* KYTC STATE PROJECT \*\*  
 1. PER KYTC CBI TYPE B / ASTM C913 SPEC'S.  
 2. CONCRETE = 4,000 PSI AT 28 DAYS.  
 3. CASTING SUPPLIED BY OTHERS (HOE KY-345 SET (CBI B)).

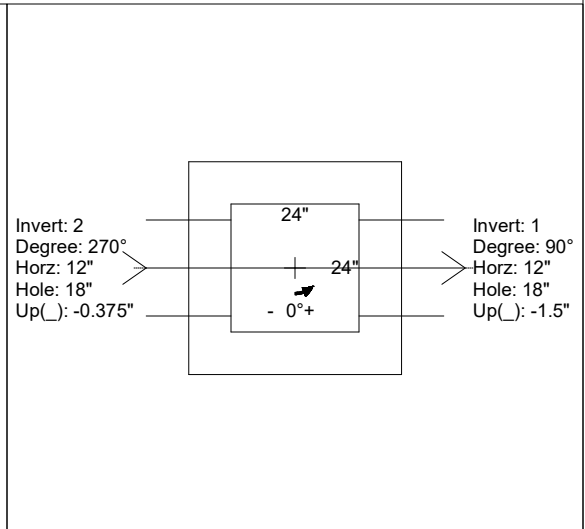
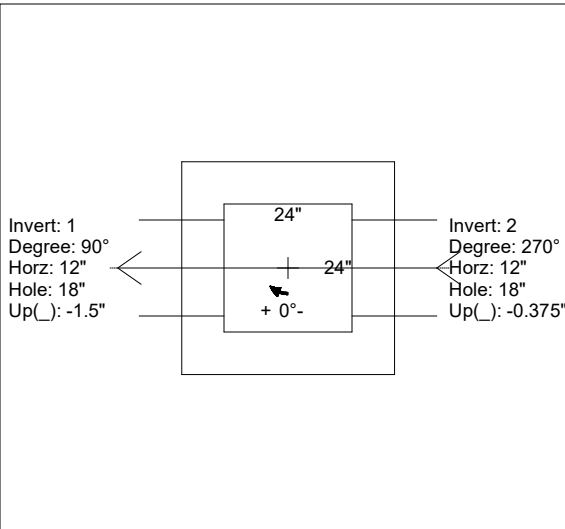
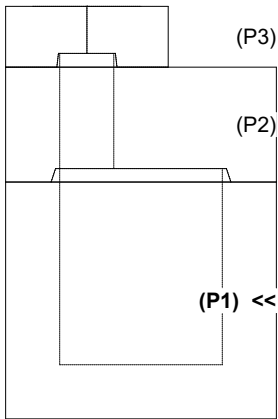
REINFORCING PER ASTM A615 (GRADE 60).  
 - TOP PHASE (As .62) #5 BARS AT 6" C.C.E.W.  
 - WALLS (As .31) #5 BARS AT 12" C.C.E.W.  
 - FLOOR (As .31) #5 BARS AT 12" C.C.E.W.

Rim: 490.87' Rim to Invert: 4.71' Slack: 3.52" Sump: 0" Step Position:

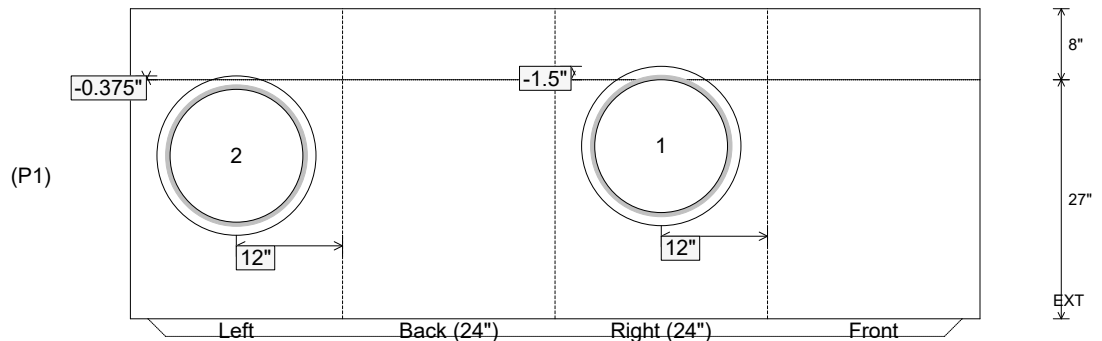
Position	Elev	Angle	Ext. (cw)	Pipe	Pipe OD	Connector	Hole	Horz Size	Up ( )	Offset
Invert 1	486.16'	90°	20"	15" CMP	16"	Hole 18	18"	18"	-1.5"	0"
Invert 2	486.25'	270°	20"	15" CMP	16"	Hole 18	18"	18"	-0.375"	0"
Invert 3										
Invert 4										
Invert 5										
Invert 6										
Invert 7										
Invert 8										

RIGHT-SIDE UP VIEW (int. dimensions)

UPSIDE-DOWN VIEW (int. dimensions)



INSIDE WALL DIMENSIONS



Coating (Int):  
 Coating (Ext):

Seam Up: Tongue  
 Seam Dn: n/a

Wall Thickness: 8"  
 Floor Height: 8"

Height (Int): 27"  
 Height (Ext): 35"

Weight (Net): 3052 lb  
 Volume (Net): 0.78cu.yd