

**Job Name: 26-1141 - KYTC Warren Co (261106)**  
**Job Location: Bowling Green, KY**  
**Contractor: Mick-Murf Construction Inc.**

PC: C. Goff  
 TECH: Jared - F  
 Plant: 100



Structure ID: **A04 (27)**  
 Spec: KYTC  
 Type: CBI TYPE B (10')  
 Size: 24" x 24"

Rim: 483.43'  
 Invert: 477.75'  
 Rim to Invert: 5.68'

Sump: 0"  
 Floor (Top): 477.75'  
 Floor Height: 8"

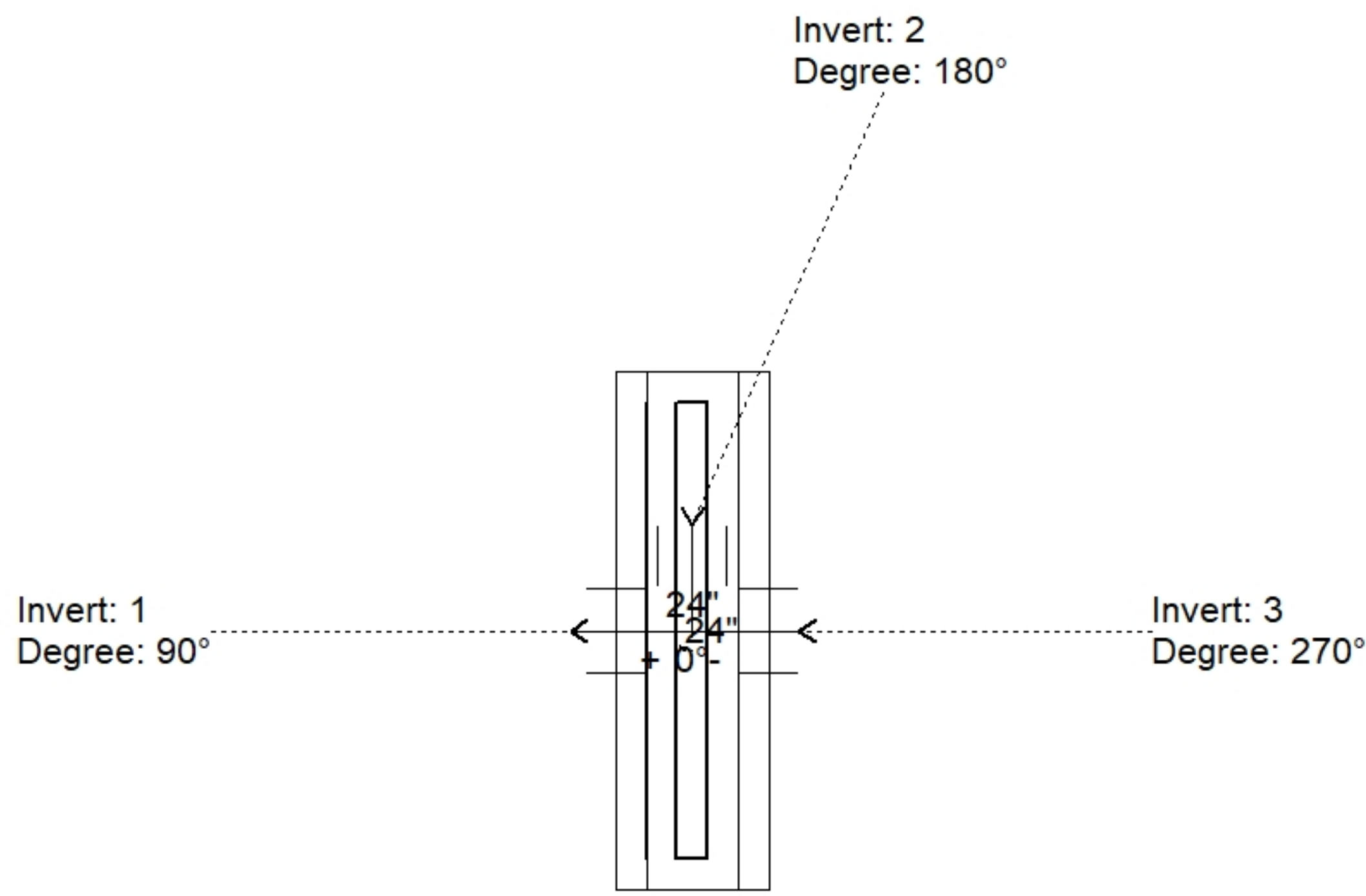
Floor (Bot): 477.083'  
 Overall Height: 6'  
 Slack: 4.16"

**Structure Notes:**

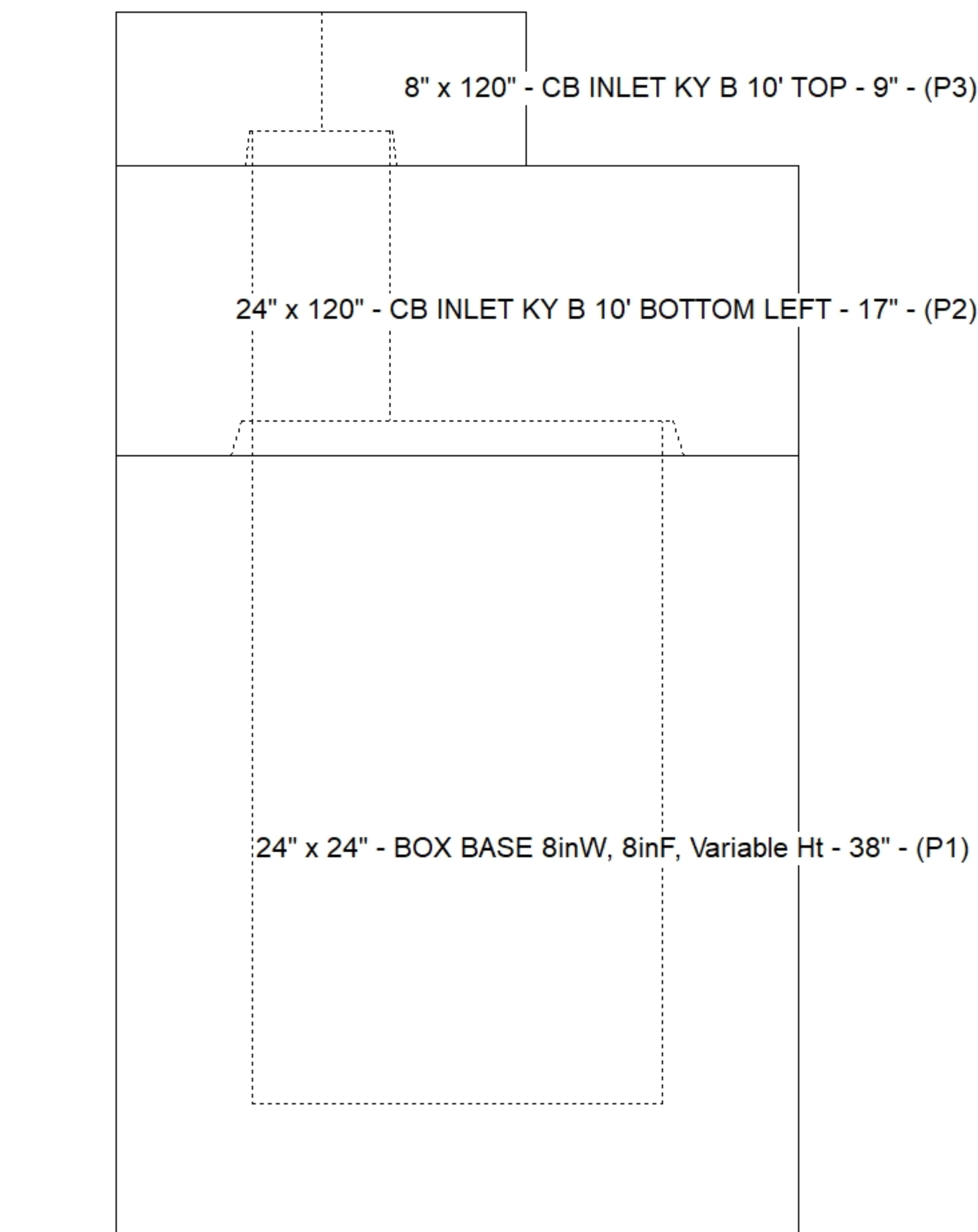
- \*\* KYTC STATE PROJECT \*\*
- PER KYTC CBI TYPE B / ASTM C913 SPEC'S.
  - CONCRETE = 4,000 PSI AT 28 DAYS.
  - CASTING SUPPLIED BY OTHERS (HOE KY-345 SET (CBI B)).
- REINFORCING PER ASTM A615 (GRADE 60).  
 - TOP PHASE (As .62) #5 BARS AT 6" C.C.E.W.  
 - WALLS (As .31) #5 BARS AT 12" C.C.E.W.  
 - FLOOR (As .31) #5 BARS AT 12" C.C.E.W.

**STRUCTURE SUMMARY:**

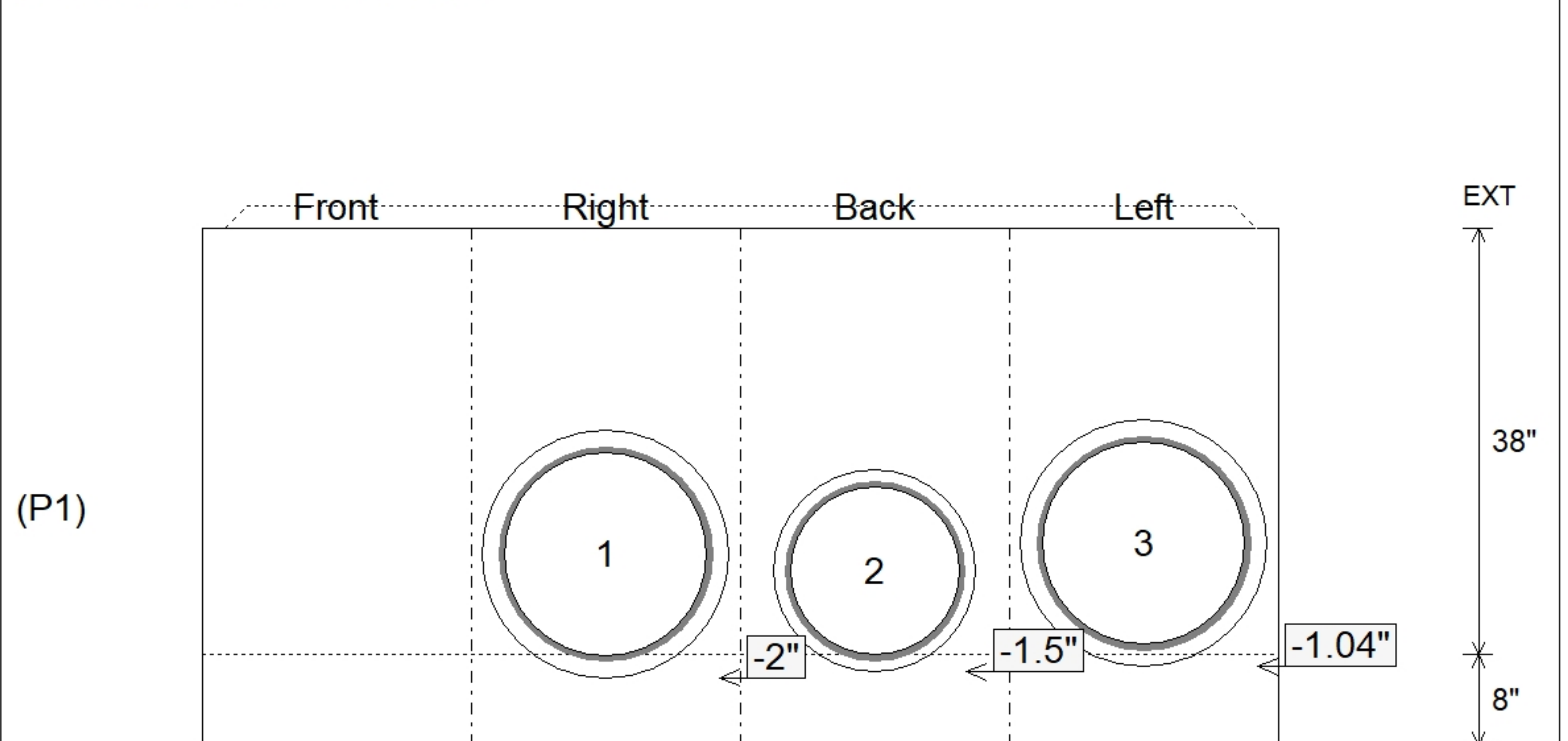
P3) 8" x 120" - CB INLET KY B 10' TOP - 9"	1660 lb
P2) 24" x 120" - CB INLET KY B 10' BOTTOM LEFT - 17"	2650 lb
P1) 24" x 24" - BOX BASE 8inW, 8inF, Variable Ht - 38"	3658 lb
1) 24" x 24" - Conseal CS-102 1.00"	0 lb
2) Hole - 22	0 lb
1) Hole - 18	0 lb
<b>Structure Total:</b>	<b>7968 lb</b>



Position	Elev	Angle	Pipe	Pipe OD	Hole	Connector	Up (L)	Ref
Rim	483.43'							
Reducer								
Invert 1	477.75'	90°	18" CMP	19"	22"	Hole 22	-2"	P1
Invert 2	477.75'	180°	15" CMP	16"	18"	Hole 18	-1.5"	P1
Invert 3	477.83'	270°	18" CMP	19"	22"	Hole 22	-1.04"	P1
Invert 4								
Invert 5								
Invert 6								
Invert 7								
Invert 8								



**Default - Interior Dimensions**



Submittal Drawing  
 3/23/2026 1:18:31 PM

SUBMITTAL  
 APPROVED BY: