

**Job Name: 26-1141 - KYTC Warren Co (261106)**  
**Job Location: Bowling Green, KY**  
**Contractor: Mick-Murf Construction Inc.**

PC: C. Goff  
 TECH: Jared - F  
 Plant: 100



Structure ID: **A00 (24)**  
 Spec: KYTC  
 Type: MH A  
 Size: 48"

Rim: 481.08'  
 Invert: 476.39'  
 Rim to Invert: 4.69'

Sump: 4"  
 Floor (Top): 476.057'  
 Floor Height: 6"

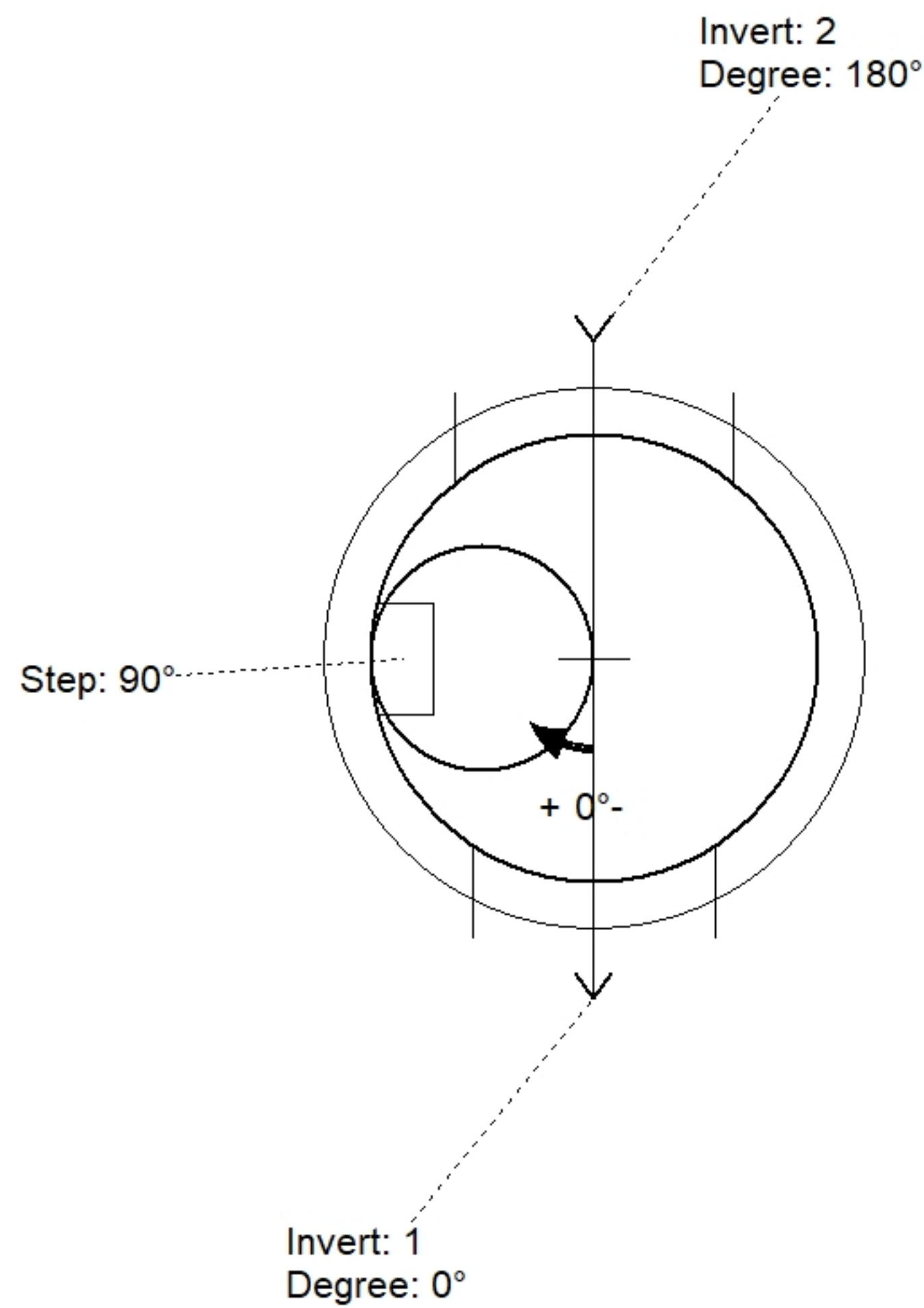
Floor (Bot): 475.557'  
 Overall Height: 5.167'  
 Slack: 4.28"

**Structure Notes:**  
**\*\*KYTC STATE PROJECT\*\***  
 1. PER KYTC MH A / ASTM C478 SPEC'S.  
 2. CONCRETE = 4,000 PSI AT 28 DAYS.  
 3. CASTING SUPPLIED BY OTHERS (HOE KY-206 F/C (KY CBI A)).

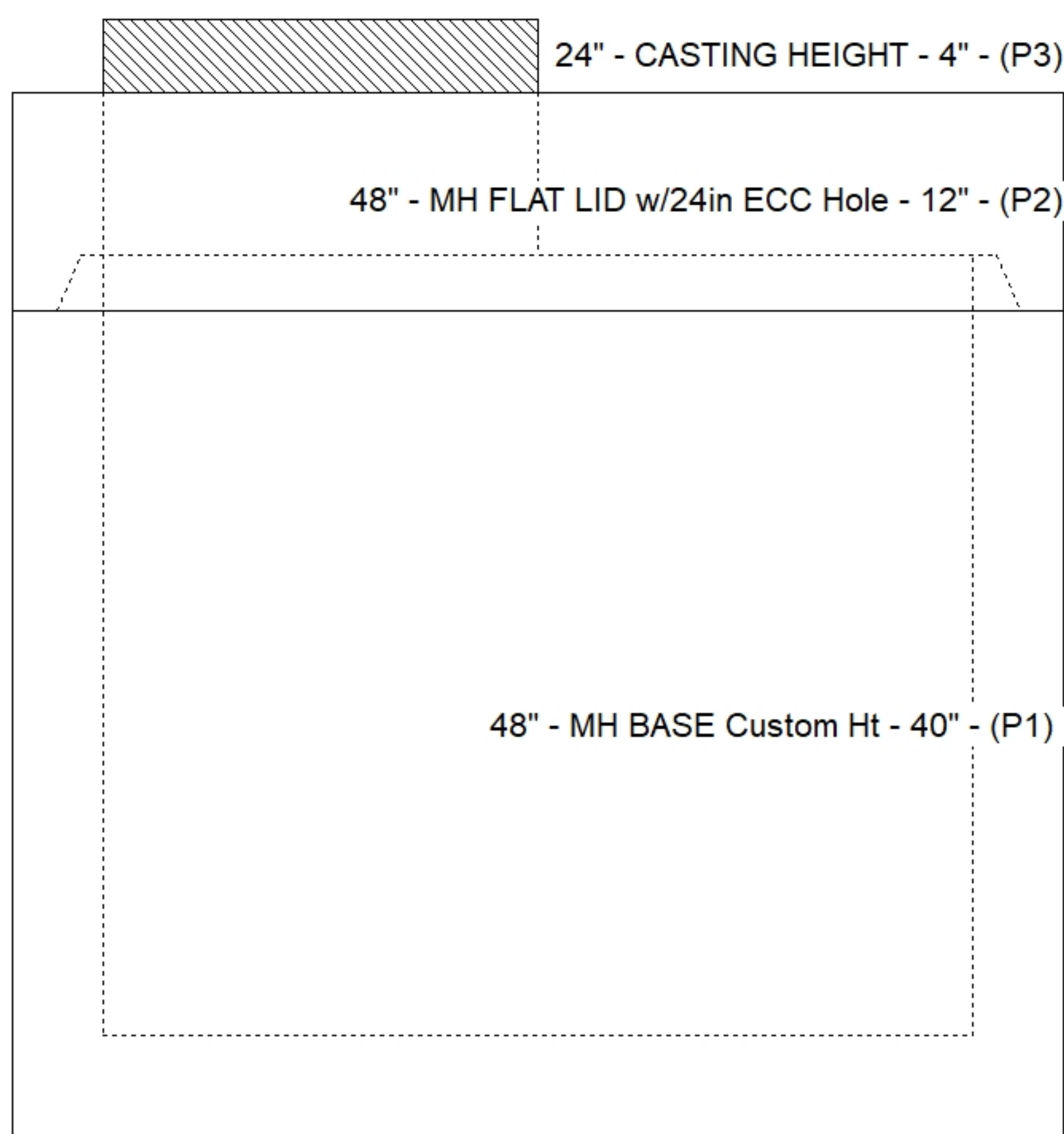
REINFORCING PER ASTM A615 (GRADE 60.)  
 - TOP SLAB (As .62) #5 BARS AT 6" C.C.E.W..  
 - RISER/WALLS (As .12)  
 - FLOOR (As .31) #5 BARS AT 12" C.C.E.W.

**STRUCTURE SUMMARY:**

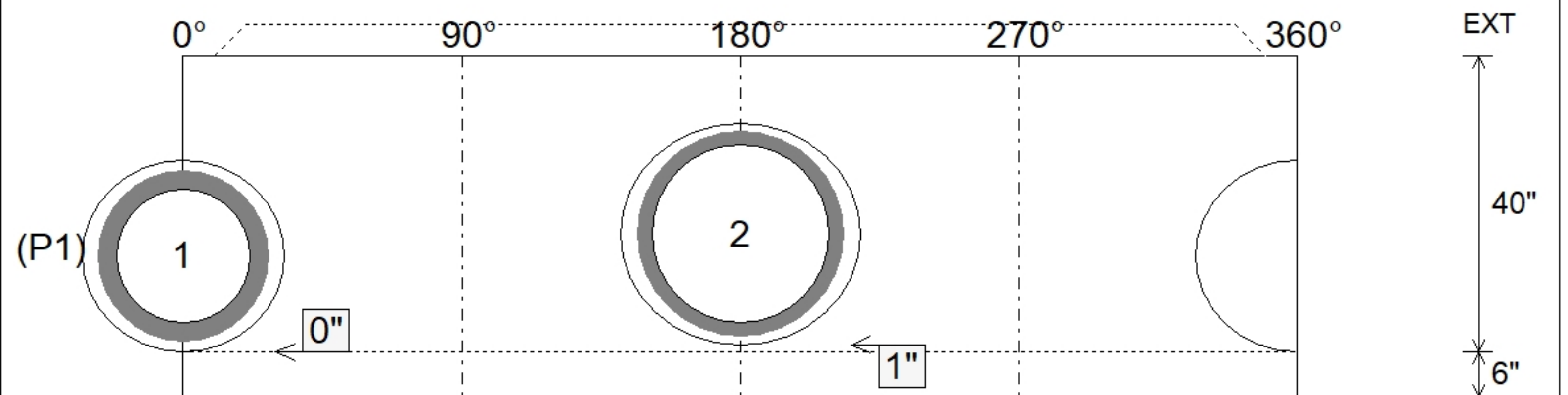
P3) 24" - CASTING HEIGHT - 4"	0 lb
P2) 48" - MH FLAT LID w/24in ECC Hole - 12"	1561 lb
P1) 48" - MH BASE Custom Ht - 40"	3575 lb
1) 48" - Conseal CS-102 1.00"	0 lb
1) Hole - 26	0 lb
1) Hole - 30	0 lb
3) MH Step ML-10-TDS-NCR - 10"	0 lb
<b>Structure Total:</b>	<b>5136 lb</b>



Position	Elev	Angle	Pipe	Pipe OD	Hole	Connector	Up ( )	Ref
Rim	481.08'							
Reducer								
Invert 1	476.39'	0°	18" RCP B WALL	23"	26"	Hole 26	0"	P1
Invert 2	476.39'	180°	24" HDPE	27.8"	30"	Hole 30	1"	P1
Invert 3								
Invert 4								
Invert 5								
Invert 6								
Invert 7								
Invert 8								



**Default - Interior Dimensions**



Submittal Drawing  
 3/23/2026 1:18:29 PM

SUBMITTAL  
 APPROVED BY: