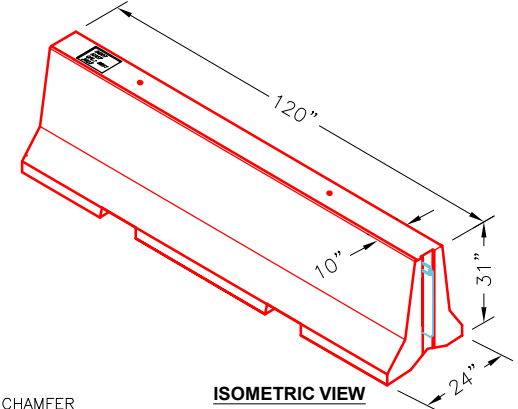
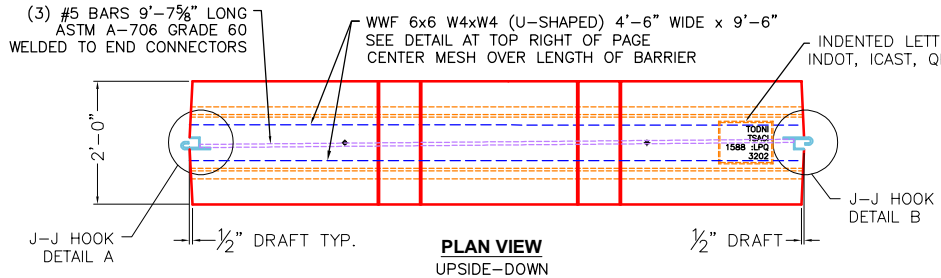
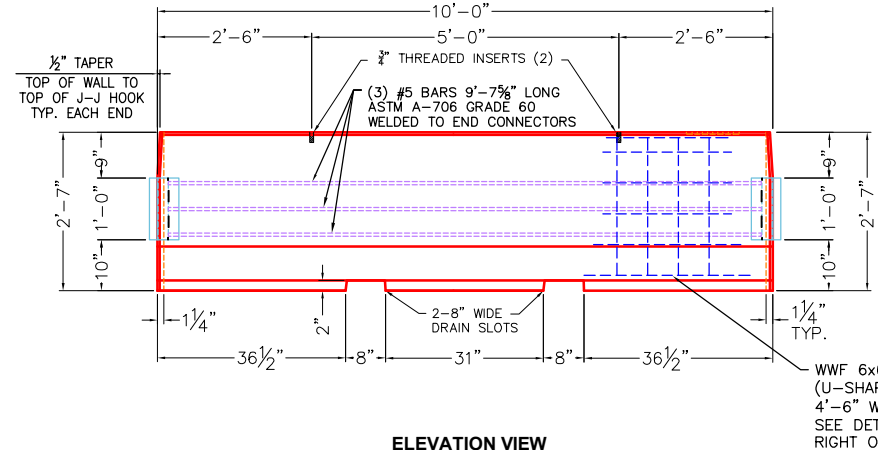


INDOT
ICAST
QPL.: 8851
2023

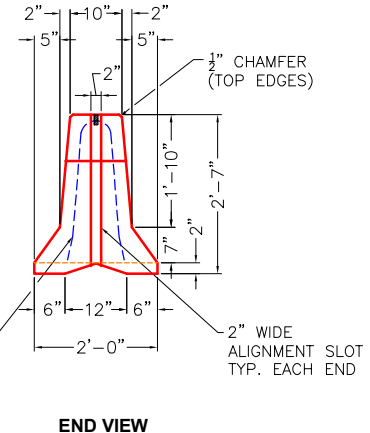
EMBOSSED STAMP DETAIL



ISOMETRIC VIEW



ELEVATION VIEW



END VIEW

WWF 6x6 W4xW4 (U-SHAPED) 4'-6\"/>

GENERAL NOTES:

1. THE FOLLOWING STANDARD SPECIFICATIONS APPLY:
 - a. REINFORCING PER ASTM A-706 (GRADE 60).
 - b. STEEL: ASTM A-36 (PLAIN/MILL FINISH).
2. MINIMUM 2\"/>

INFRASTRUCTURE PRECAST, INC.	
981 WEST 7TH ST., BEAVER DAM, KY. 42320 PHONE: (270) 363-2238, FAX: (270) 298-7424	
INDOT TEMPORARY CONCRETE BARRIER WALL	
DWG: WALL-BARRIER-INDOT-PORT-120	DATE: 01-12-26
REVIEWED BY: J.H. ROSS, PE	DRAWN BY: J. HORSLEY
WEB: WWW.ICASTINC.COM	SCALE: NTS

