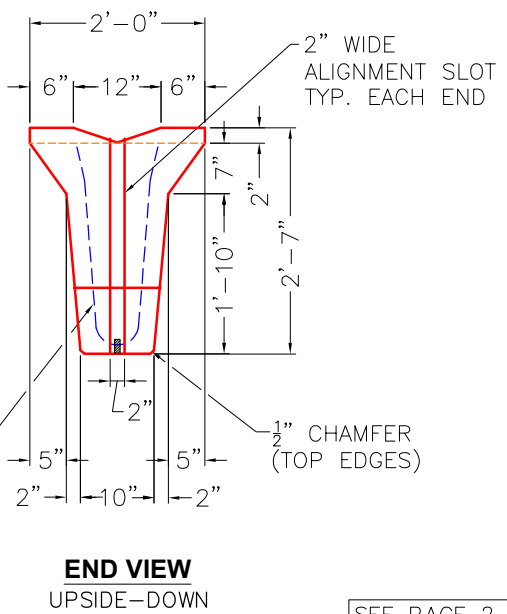
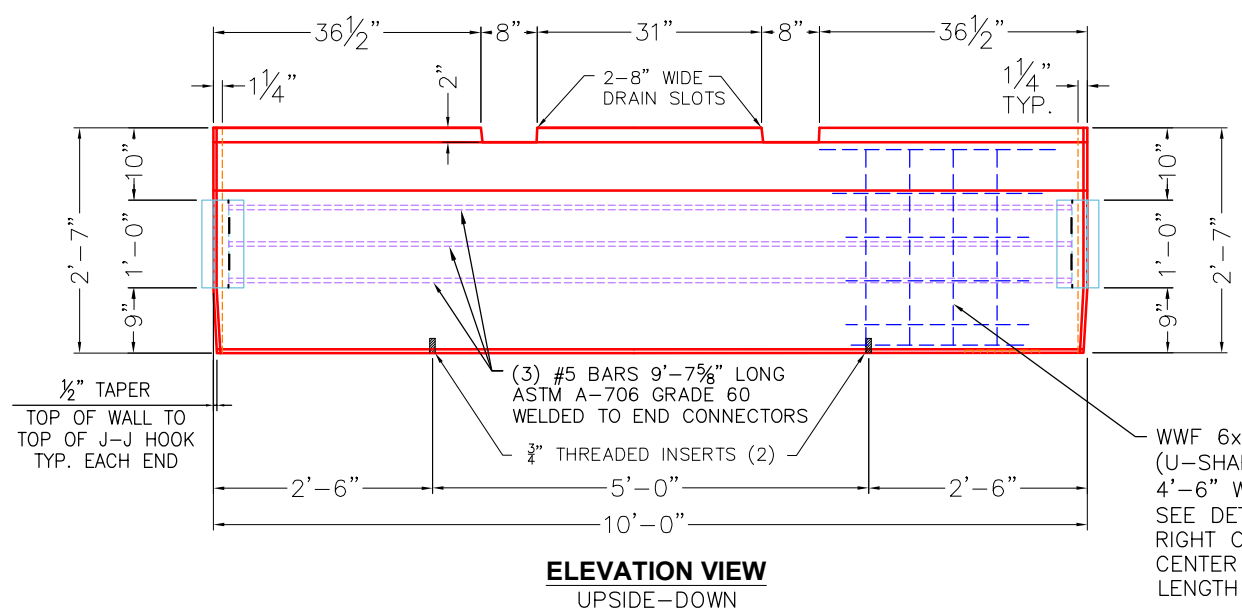
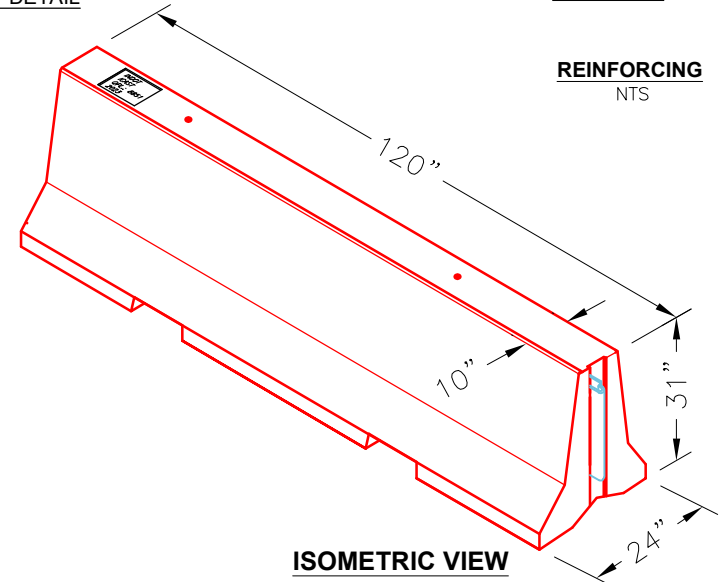
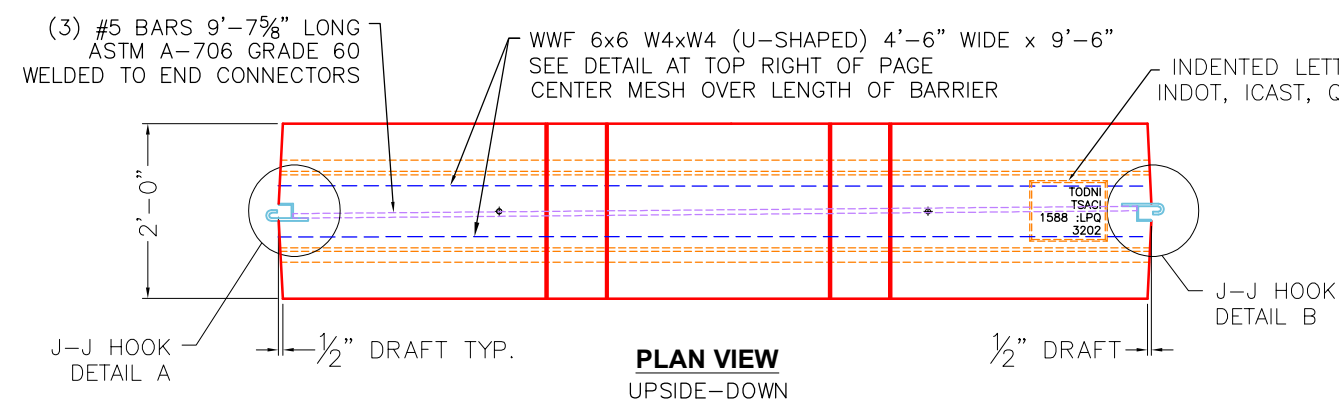


INDOT
ICAST
QPL.: 8851
2024

EMBOSSSED STAMP DETAIL



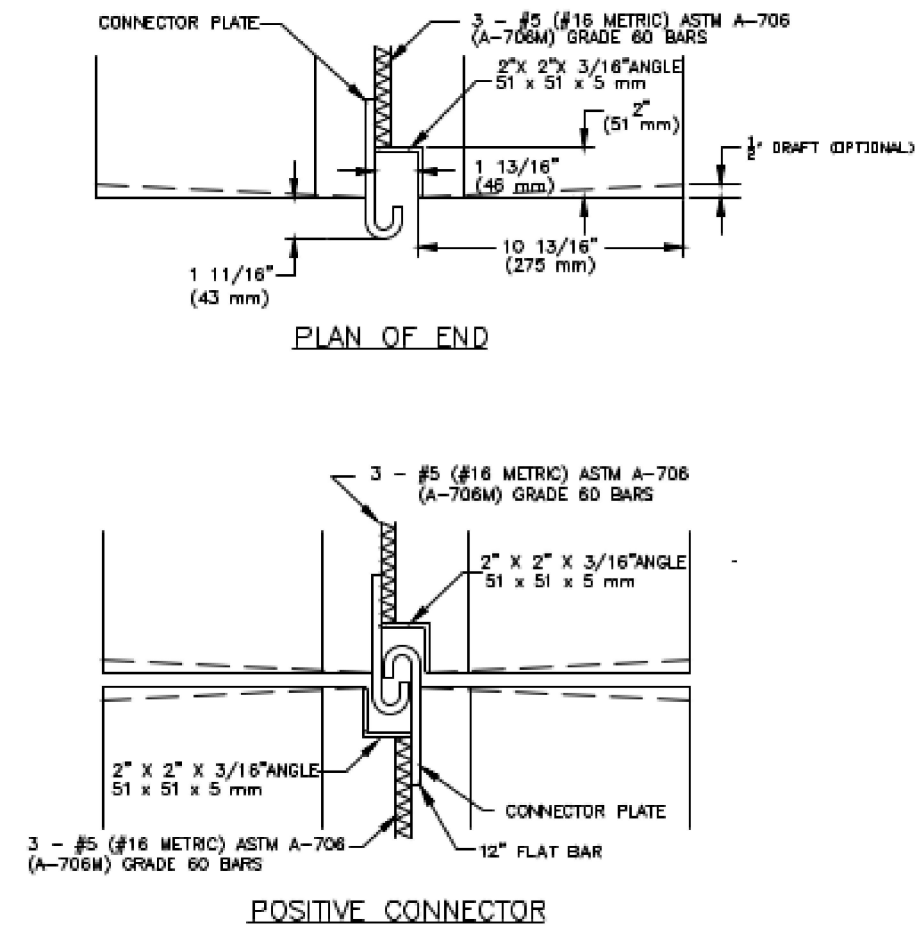
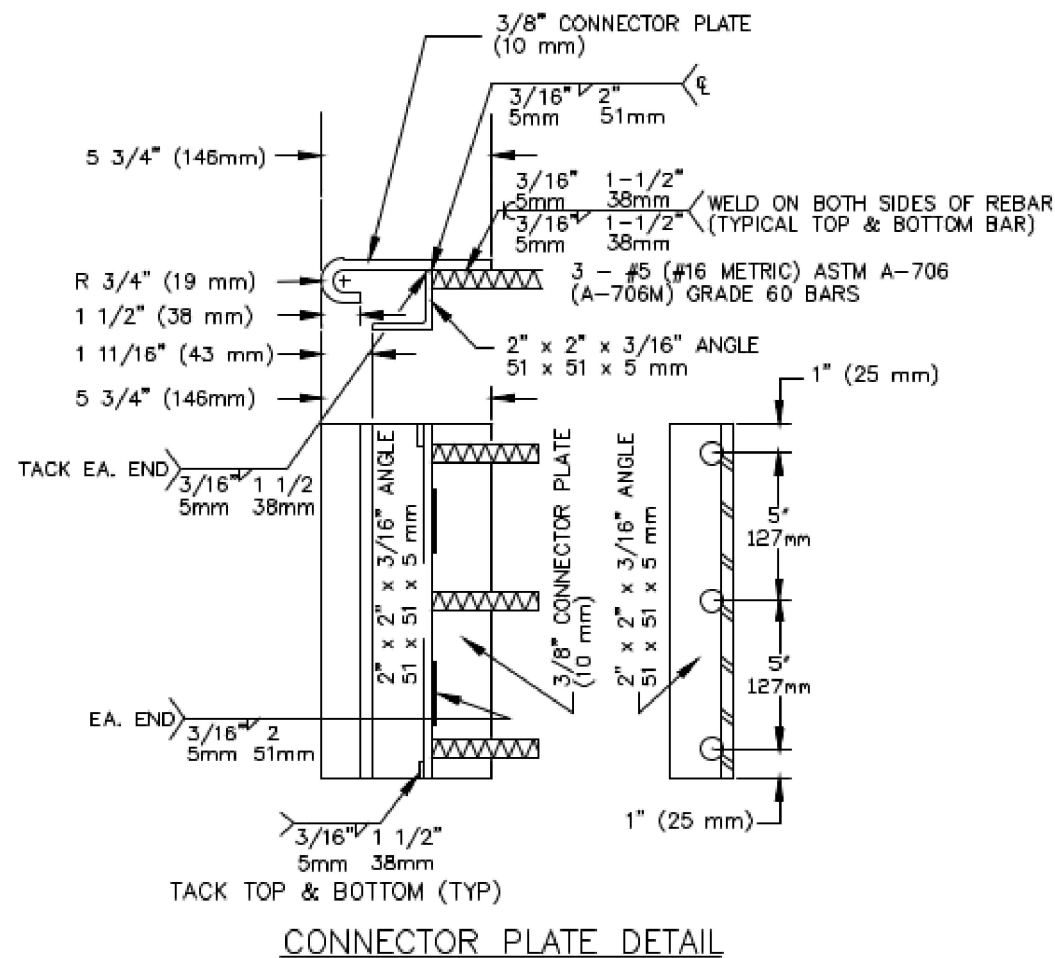
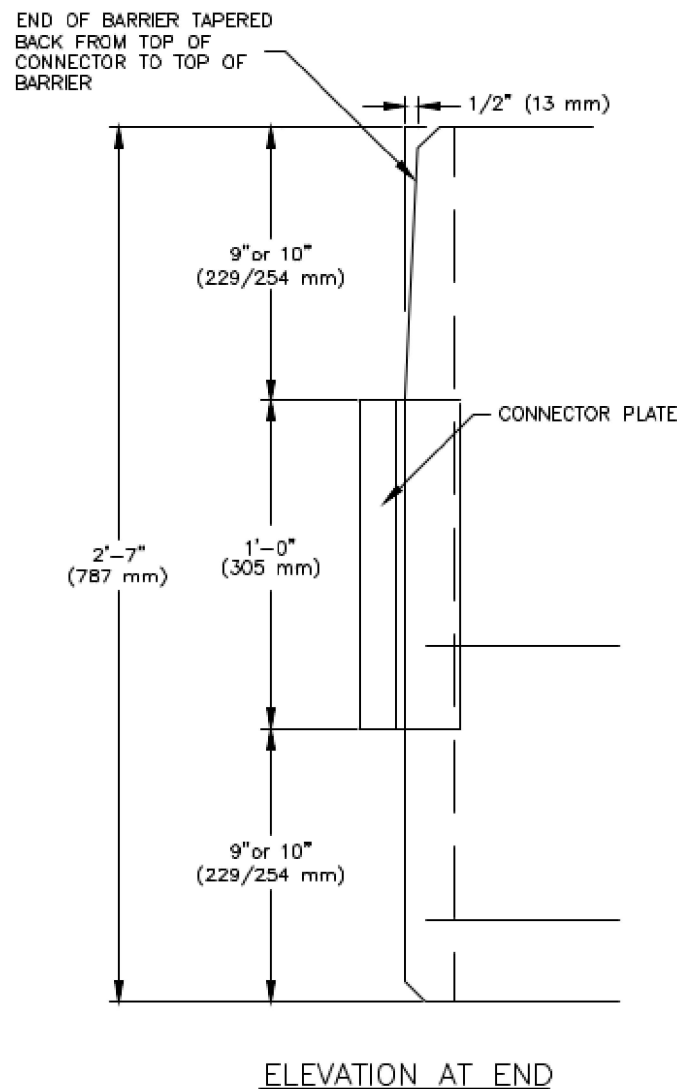
SEE PAGE 2 FOR ADDITIONAL DETAIL

- GENERAL NOTES:
1. THE FOLLOWING STANDARD SPECIFICATIONS APPLY:
REINFORCING: WELDED WIRE FABRIC 6X6 - W4XW4 BENT TO THE SHAPE OF THE WALL.
 2. MINIMUM 2" CONCRETE COVER ON REINFORCING BARS.
 3. CONCRETE: 4500 PSI @ 28 DAYS WITH AIR ENTRAINMENT.
 4. 1/2" CHAMFER ON ON TOP EDGES OF WALL REQUIRED.
 5. TO BE USED IN CONJUNCTION WITH INDOT DRAWING E-801-TCCB-03.
 6. WEIGHT: 4,400 LBS.
 7. PERMANENT IDENTIFICATION LETTERING REQUIRED TO BE EMBOSSSED IN TOP OF BARRIER WALL WITH THE FOLLOWING: INDOT, ICAST, QPL. NO., AND YEAR.

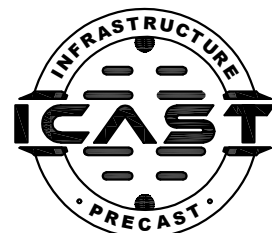
REVISIONS	
REV. Δ ??/??/??	?
REV. Δ ??/??/??	?



PRODUCTION WORK ORDER	PRODUCT I.D.: MBI-TCCB-10-JJ	SUBMITTAL DRAWING: INDOT 10' TYPE 2 BARRIER WALL		
QUALITY CONTROL CHECKLIST	PRODUCT VIEW: UPSIDE-DOWN	CUSTOMER: BLANKENBERGER BROTHERS		
<input type="checkbox"/> ALL DIMENSIONS CORRECT. <input type="checkbox"/> LIFTERS INSTALLED. <input type="checkbox"/> OPENING CENTERED. <input type="checkbox"/> REINFORCING CORRECT. <input type="checkbox"/> SURFACE QUALITY ACCEPTABLE. <input type="checkbox"/> EDGES CHAMFERED. <input type="checkbox"/> ALL PATCHWORK ACCEPTABLE.	PLANT: BEAVER DAM, KY.	PROJECT: INDOT B-43968-A POSEY CO. BARRIER WALL		
	WEIGHT: 4,400 LBS	STRUCTURE I.D.: INDOT 10' TEMP. MBW		
	TOP SECTION JOINT: N/A	QUOTE/ORDER NO: 26-1132		
	BASE SECTION JOINT: N/A	PE: J.H. ROSS	DRAWN BY: J. HORSLEY	
	QC CHECK INITIALS:	DATE: 02/24/26	SCALE: NTS	PG. 1 of 2



REVISIONS	
REV. Δ ??/??/??	?
REV. Δ ??/??/??	?



PRODUCTION WORK ORDER
QUALITY CONTROL CHECKLIST
<input type="checkbox"/> ALL DIMENSIONS CORRECT.
<input type="checkbox"/> LIFTERS INSTALLED.
<input type="checkbox"/> OPENING CENTERED.
<input type="checkbox"/> REINFORCING CORRECT.
<input type="checkbox"/> SURFACE QUALITY ACCEPTABLE.
<input type="checkbox"/> EDGES CHAMFERED.
<input type="checkbox"/> ALL PATCHWORK ACCEPTABLE.

PRODUCT I.D.: MBI-TCCB-10-JJ
PRODUCT VIEW: UPSIDE-DOWN
PLANT: BEAVER DAM, KY.
WEIGHT: 4,400 LBS
TOP SECTION JOINT: N/A
BASE SECTION JOINT: N/A
QC CHECK INITIALS:

SUBMITTAL DRAWING: INDOT 10' TYPE 2 BARRIER WALL	
CUSTOMER: BLANKENBERGER BROTHERS	
PROJECT: INDOT B-43968-A POSEY CO. BARRIER WALL	
STRUCTURE I.D.: INDOT 10' TEMP. MBW	
QUOTE/ORDER NO: 26-1132	
PE: J.H. ROSS	DRAWN BY: J. HORSLEY
DATE: 02/24/26	SCALE: NTS
	PG. 2 of 2