

Job Name: 26-1117 Horse Soldier Farms Visitor Entry Road
Job Location: Somerset, KY
Contractor: Weddle Enterprises, Inc

PC: Celina Goff
 TECH: Jared - A
 Plant: 100



Structure ID: **OCS (4)**

Spec: Storm
 Type: Outlet Control Structure
 Size: 48" x 48"

Rim: 928.5'
 Invert: 920.5'
 Rim to Invert: 8'

Sump: 0"
 Floor (Top): 920.5'
 Floor Height: 8"

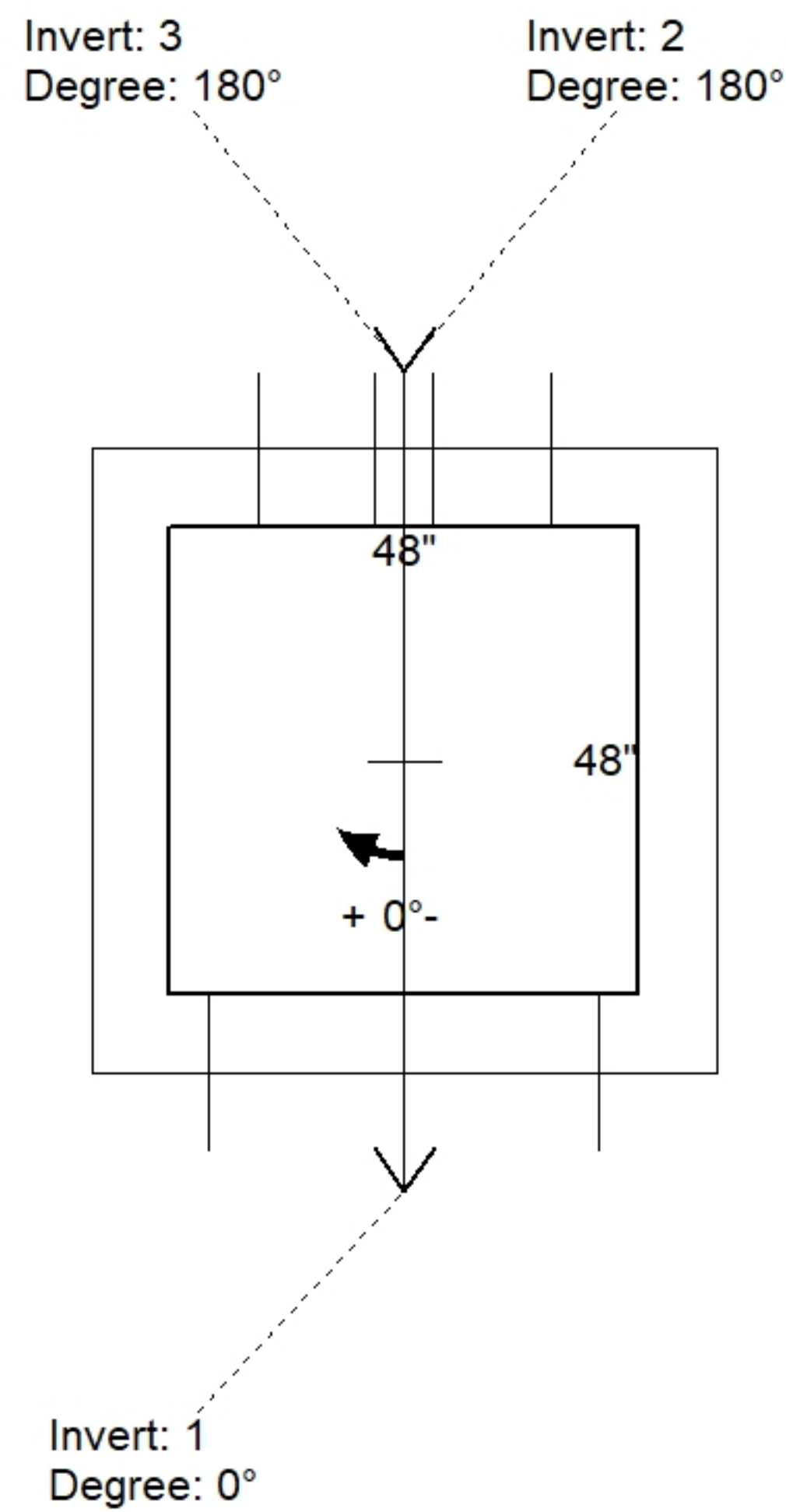
Floor (Bot): 919.833'
 Overall Height: 8.667'
 Slack: 0"

Structure Notes:
 PLAN LABEL: 6

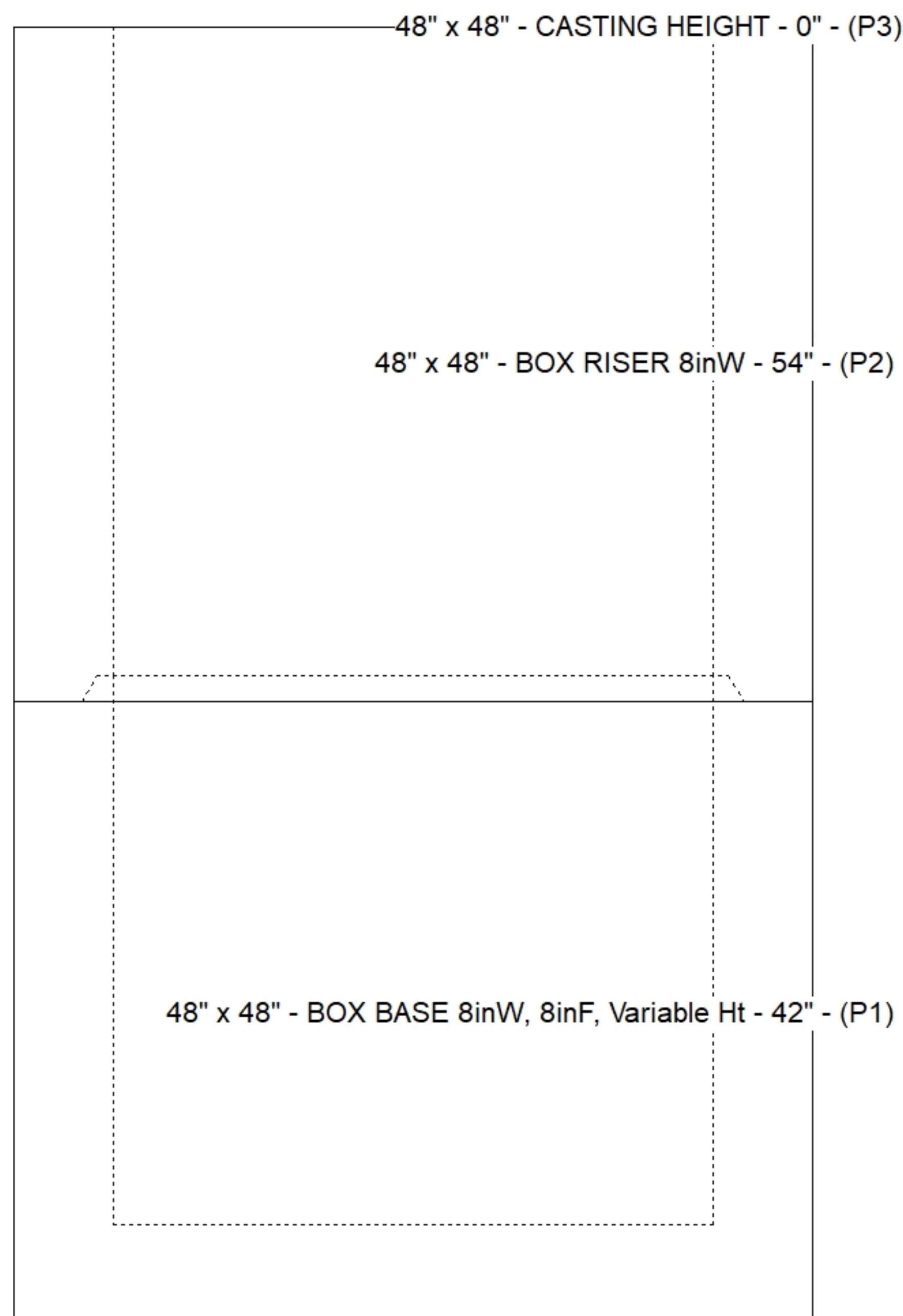
1. LSQ-48-P PLAIN TRASH RACK PROVIDED BY ICAST.
2. PER ASTM C913 SPECIFICATIONS.
3. CONCRETE = 4,500 PSI AT 28 DAYS.
4. REINFORCING PER ASTM A615 (GRADE 60).
 - RISER/WALLS (As .12)
 - FLOOR (As .31) #5 BARS AT 12" C.C.E.W.

STRUCTURE SUMMARY:

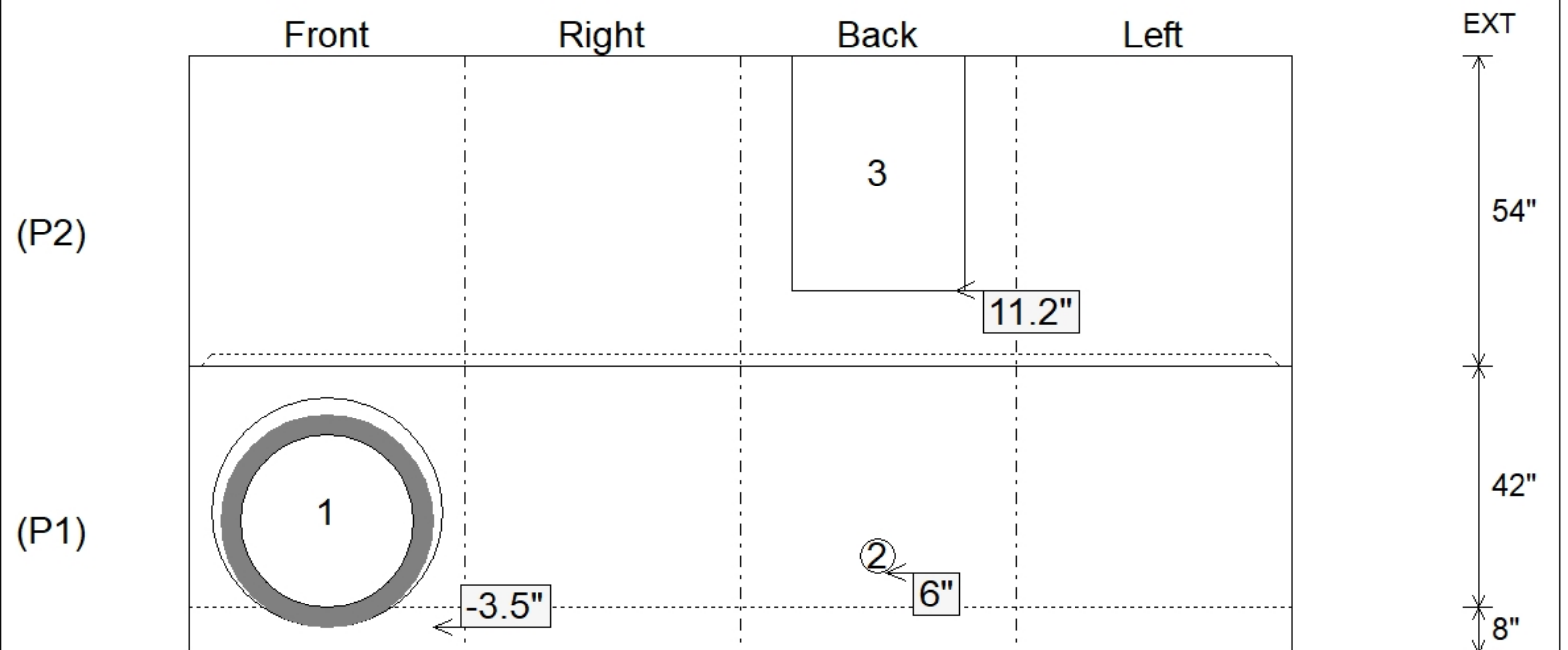
P3) 48" x 48" - CASTING HEIGHT - 0"	0 lb
P2) 48" x 48" - BOX RISER 8inW - 54"	7299 lb
P1) 48" x 48" - BOX BASE 8inW, 8inF, Variable Ht - 42"	8203 lb
1) CASTING - TRASHRACKS LSQ-48 Sq. Top Mount Trash Rack	326 lb
2) 48" x 48" - Conseal CS-102 1.00"	0 lb
1) Hole - 40	0 lb
1) Orifice - 6"	0 lb
1) Weir - 30"x40.75"	0 lb
Structure Total:	15828 lb



Position	Elev	Angle	Pipe	Pipe OD	Hole	Connector	Up ()	Ref
Rim	928.5'							
Reducer								
Invert 1	920.5'	0°	30" RCP B WALL	37"	40"	Hole 40	-3.5"	P1
Invert 2	921'	180°	6" Orifice	6"	6"	Orifice 6"	6"	P1
Invert 3	925.1'	180°	30" x 40.75" Weir	30" x 40.75"	30" x 40.75"	Weir 30"x40.75"	11.2"	P2
Invert 4								
Invert 5								
Invert 6								
Invert 7								
Invert 8								



Default - Interior Dimensions



Submittal Drawing
 3/26/2026 8:29:13 AM

SUBMITTAL
 APPROVED BY: