

Job Name: 26-1098 LUC Sinking Creek Lift Station
Job Location: London, KY
Contractor: Endesol, Inc.

PC: E. Bradley
 TECH: J. Coppage
 Plant: Beaver Dam



Structure ID: Lift Station
 Spec: Sanitary-Xypex
 Type: Combined Lift Station
 Size: 72"

Rim: 1234'
 Invert: 1226'
 Rim to Invert: 8'

Sump: 96"
 Floor (Top): 1218"
 Floor Height: 12"

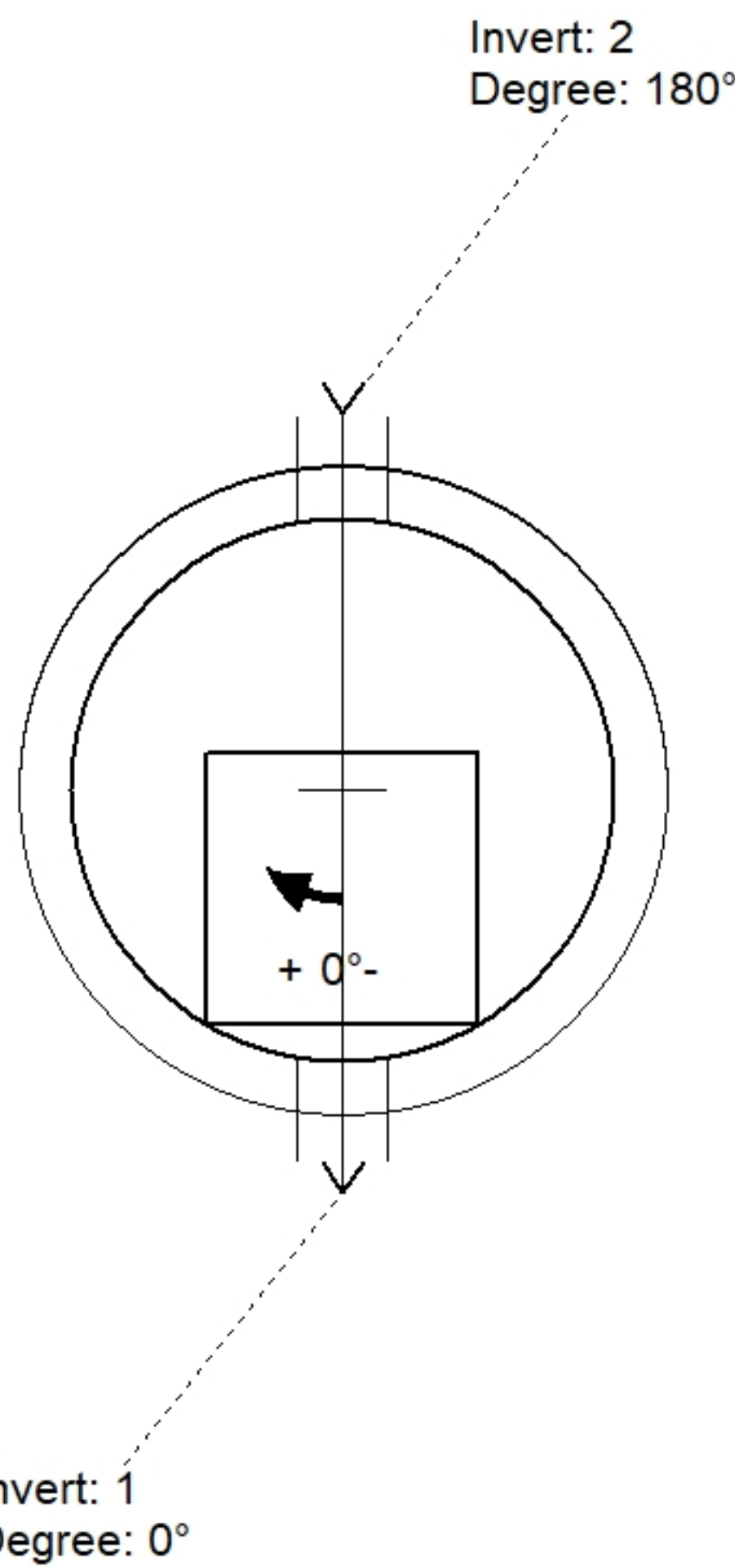
Floor (Bot): 1217'
 Overall Height: 16.958'
 Slack: 0.498"

Structure Notes:

1. PER ASTM C478 SPECIFICATIONS.
2. CONCRETE = 4,000 PSI AT 28 DAYS.
3. REINFORCING PER ASTM A615 (GRADE 60).
 - TOP SLAB (As .31) #5 BARS AT 6" C.C.E.W.
 - RISER/WALLS (As .18)
 - FLOOR (As .37) #5 BARS AT 10" C.C.E.W.

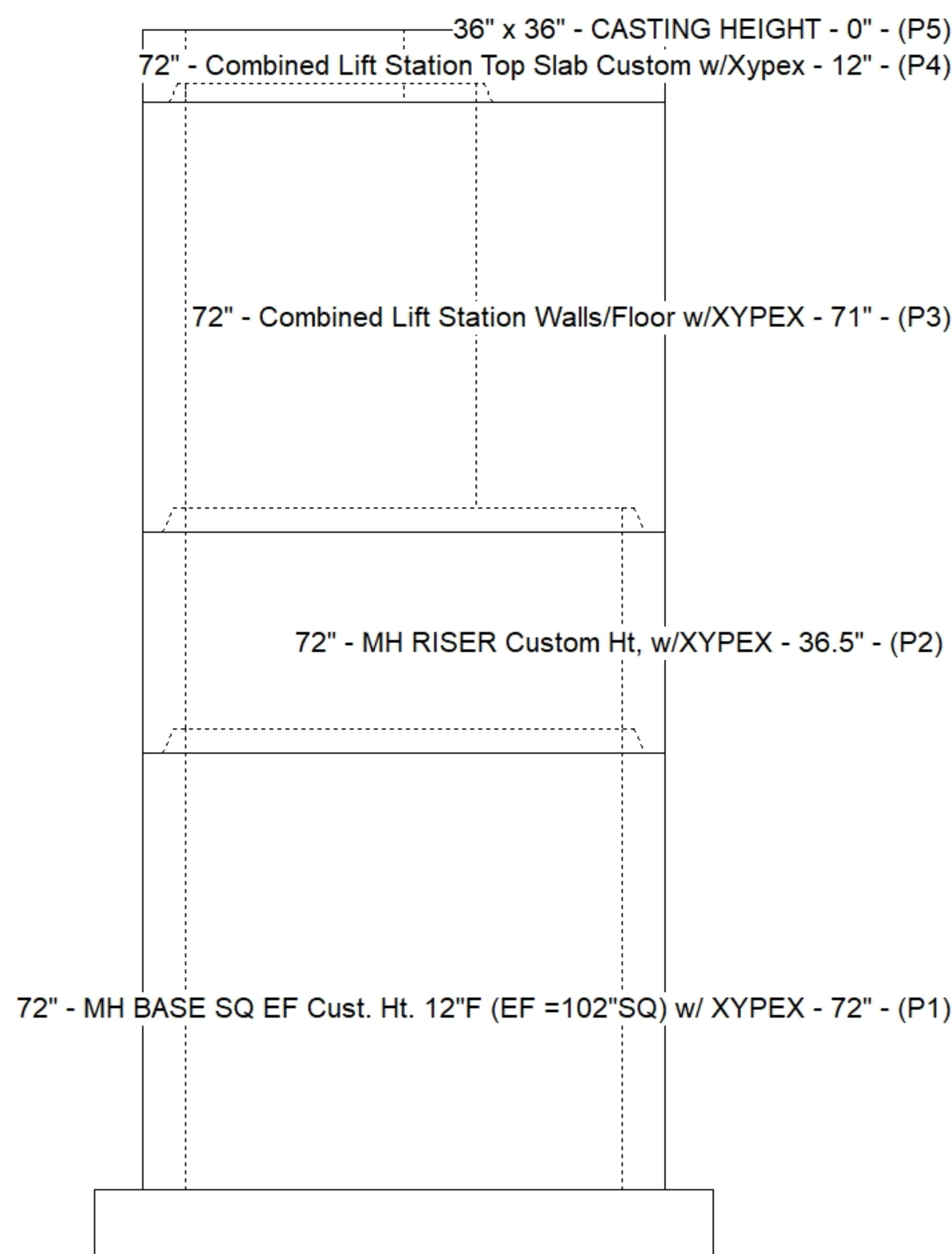
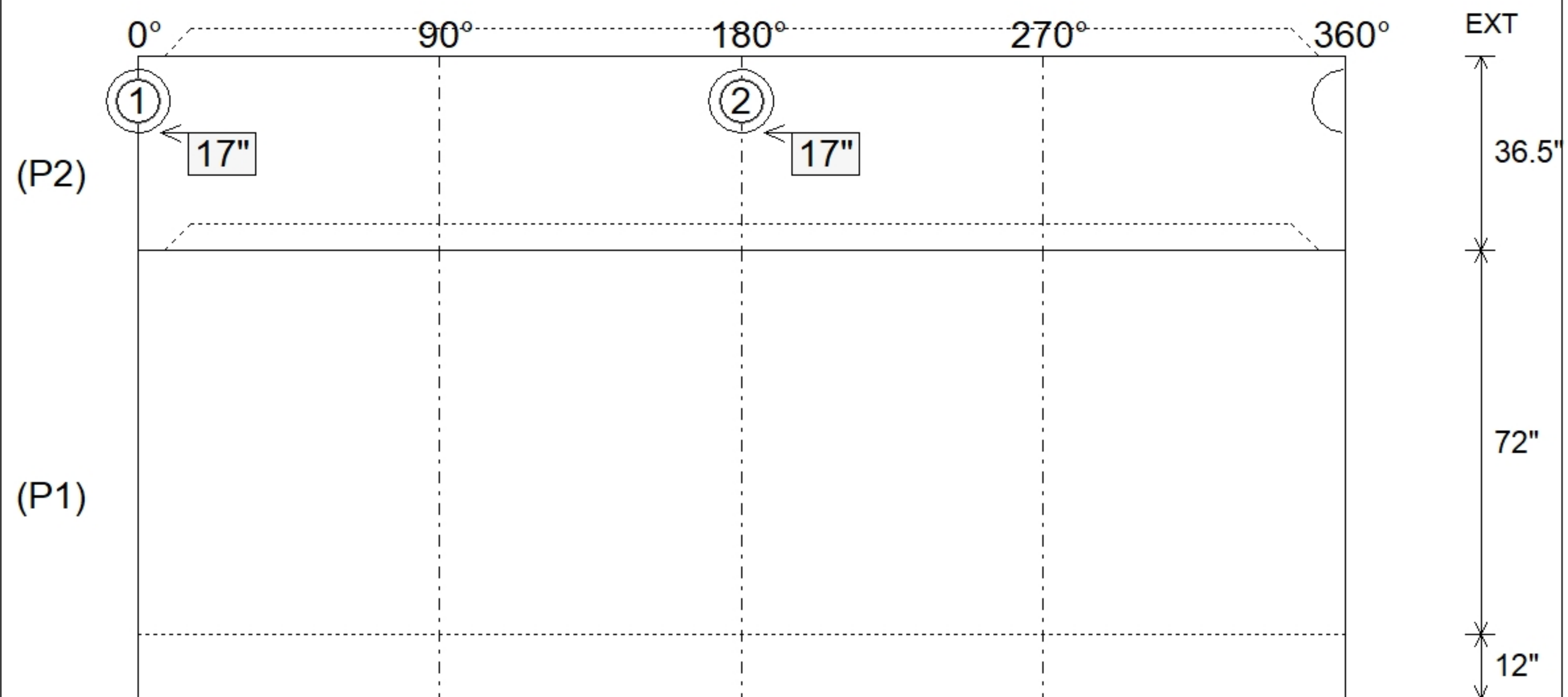
STRUCTURE SUMMARY:

P5) 36" x 36" - CASTING HEIGHT - 0"	0 lb
P4) 72" - Combined Lift Station Top Slab Custom w/Xypex - 12"	8108 lb
P3) 72" - Combined Lift Station Walls/Floor w/XYPEX - 71"	29429 lb
P2) 72" - MH RISER Custom Ht, w/XYPEX - 36.5"	5188 lb
P1) 72" - MH BASE SQ EF Cust. Ht. 12"F (EF =102"SQ) w/ XYPEX - 72"	20973 lb
1) This Structure Includes a Cast-in Item	0 lb
1) HATCH (Alum.) - HALLIDAY W1R 34"x52"	46 lb
1) HATCH (Alum.) - HALLIDAY W1R 36"x36"	46 lb
1) SECONDARY POUR - WALLS FOR BASE	0 lb
1) SECONDARY POUR - WALLS FOR VAULT SECTION	0 lb
1) SECONDARY POUR - VAULT SECTION EXTENSION	0 lb
1) ASSEMBLY REQUIRED	0 lb
2) 72" - DBL 1"x14.5' Butyl (2x)	0 lb
2) PSX - 12-08 NYLO	16 lb
Structure Total:	63806 lb



Position	Elev	Angle	Pipe	Pipe OD	Hole	Connector	Up (")	Ref
Rim	1234'							
Reducer	1227.042'							
Invert 1	1226'	0°	8" PVC SDR35	8.5"	12"	PSX 12-08 NYLO	17"	P2
Invert 2	1226'	180°	8" PVC SDR35	8.5"	12"	PSX 12-08 NYLO	17"	P2
Invert 3								
Invert 4								
Invert 5								
Invert 6								
Invert 7								
Invert 8								

Default - Interior Dimensions



Submittal Drawing
 1/28/2026 7:39:45 AM

SUBMITTAL
 APPROVED BY: