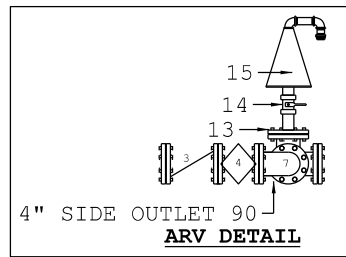
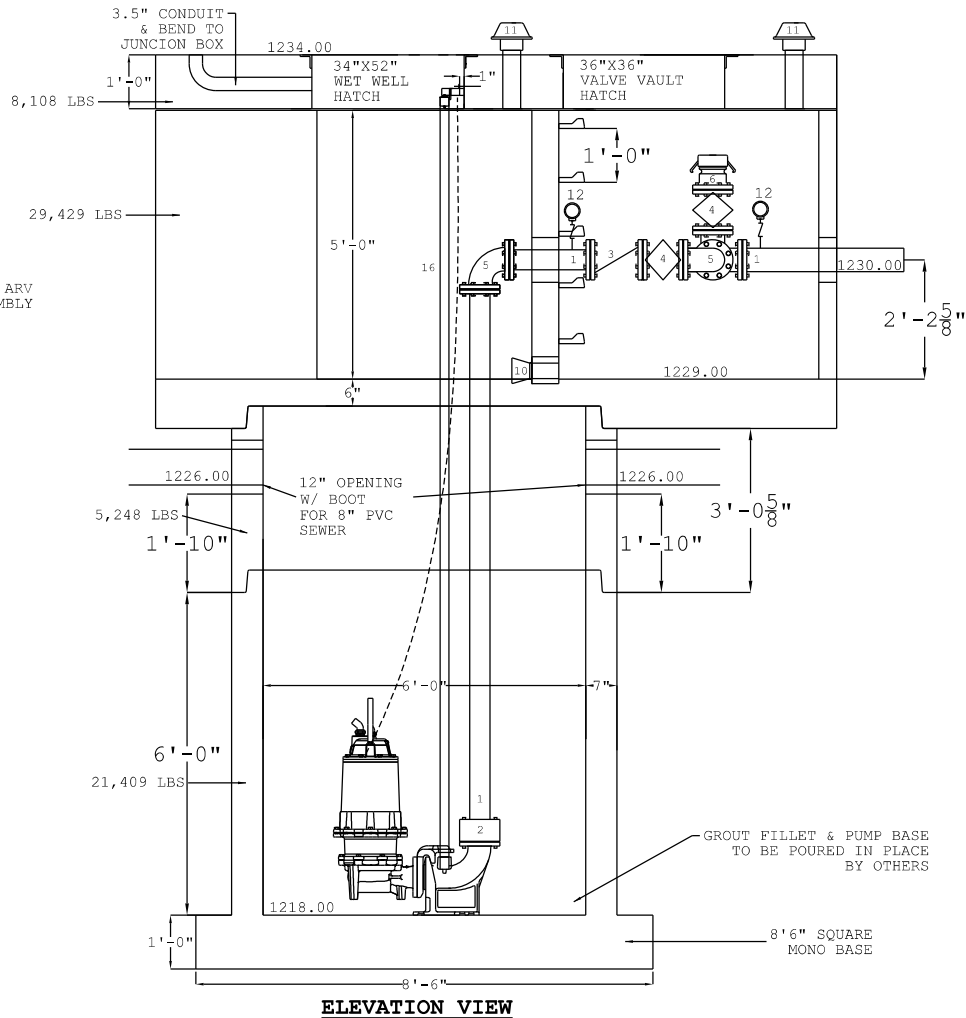
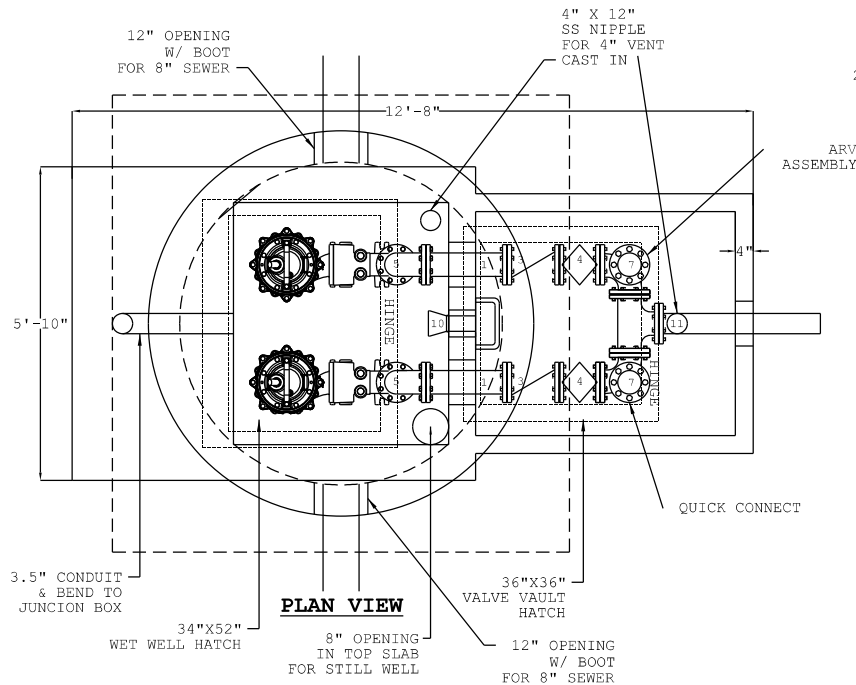


- 1 - 4" DI PIPE
- 2 - 4" RFCA W/ SS HARDWARE
- 3 - 4" FLANGED CHECK VALVE
- 4 - 4" FLANGED PLUG VALVE
- 5 - 4" FLANGED 90
- 6 - 4" ALUM FLANGE ADAPTER X FLANGE W/ CAP
- 7 - 4" FLANGED SIDE OUTLET 90
- 8 - 36"X36" ALUM. HATCH
- 9 - 34"X52" ALUM. HATCH W/ SAFETY GRATING
- 10 - 2" TIDEFLEX CHECK VALVE
- 11 - 4" MUSHROOM VENT W/ SS304 NIPPLE
- 12 - PRESSURE GAUGE ASSEMBLY
- 13 - 4"X2" COMPANION FLANGE
- 14 - 2" SS304 BALL VALVE & NIPPLE
- 15 - 2" ARI D025 COMBO ARV
- 16 - 1.5" SS304 GUIDERAIL PIPE



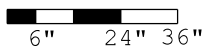
**26-1098 LUC Sinking Creek Lift Station  
 Assembly Information  
 Lift Station**

**SINK CREEK  
 6" DIA PRE-ENGINEERED  
 PACKAGE PUMP STATION**



**ENDESOL, INC.  
 981 WEST SEVENTH STREET  
 BEAVER DAM, KENTUCKY 42320**

**GRAPHIC SCALE**



**PROJECT INFORMATION**

**OWNER:** LONDON UTILITY COMMISSION  
**ENGINEER:** ECLIPSE ENGINEERS

**DRAWING INFORMATION**

**DRAWING BY:** J.H. ROSS, PE  
**DATE:** NOV. 20, 2025  
**REV. DATE:** N/A

