

Job Name: 26-1089 ADS Voce Hotel
Job Location: Nashville, TN
Contractor: ADS Advances Drainage Systems, Inc.

PC: C. Goff
 TECH: J. Coppage
 Plant: Beaver Dam



Structure ID: **Storm S6**

Spec: Storm-Pipe Centered
 Type: STM.MH
 Size: 72"

Rim: 490.95'
 Invert: 486.95'
 Rim to Invert: 4'

Sump: 85"
 Floor (Top): 479.867'
 Floor Height: 8"

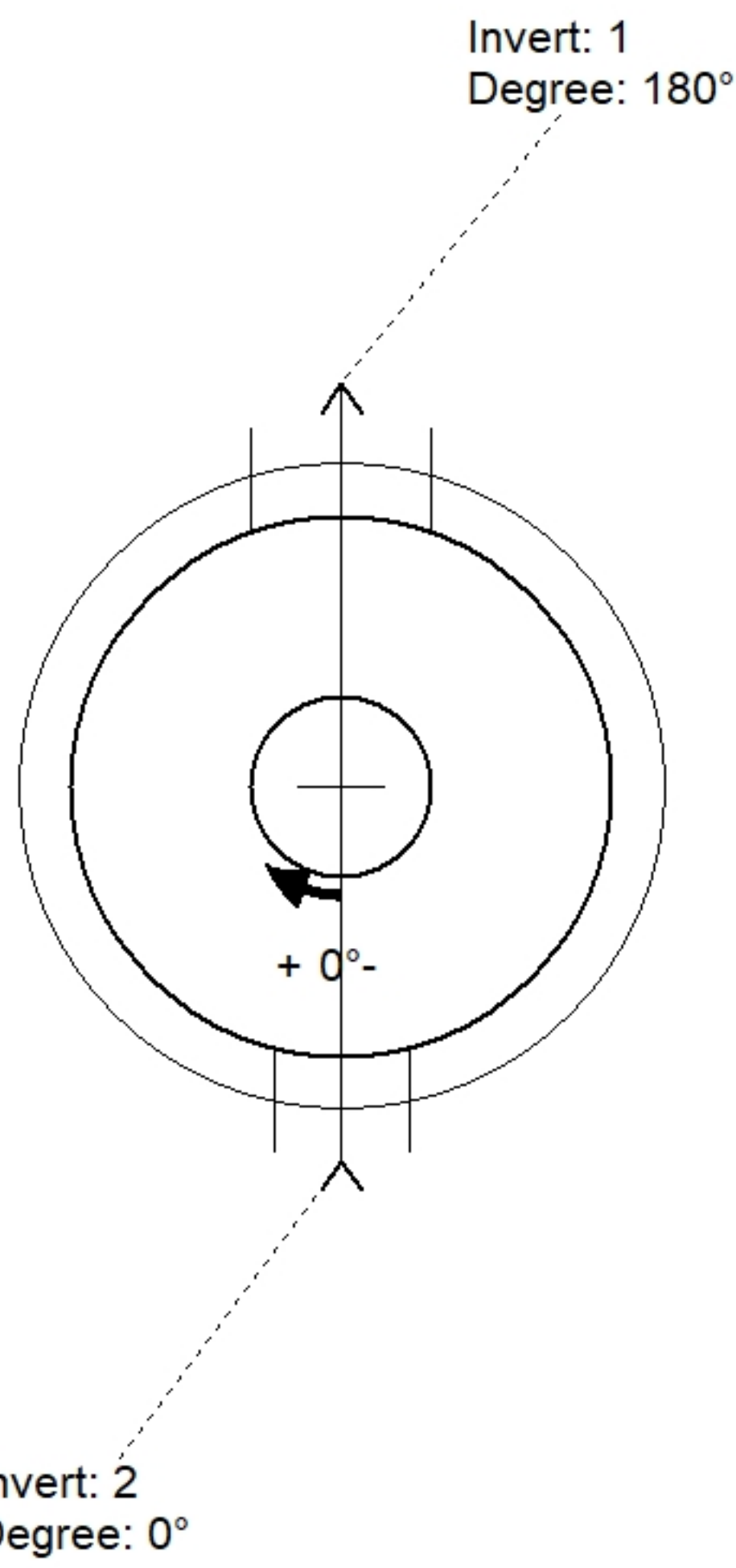
Floor (Bot): 479.2'
 Overall Height: 11.75'
 Slack: 0"

Structure Notes:

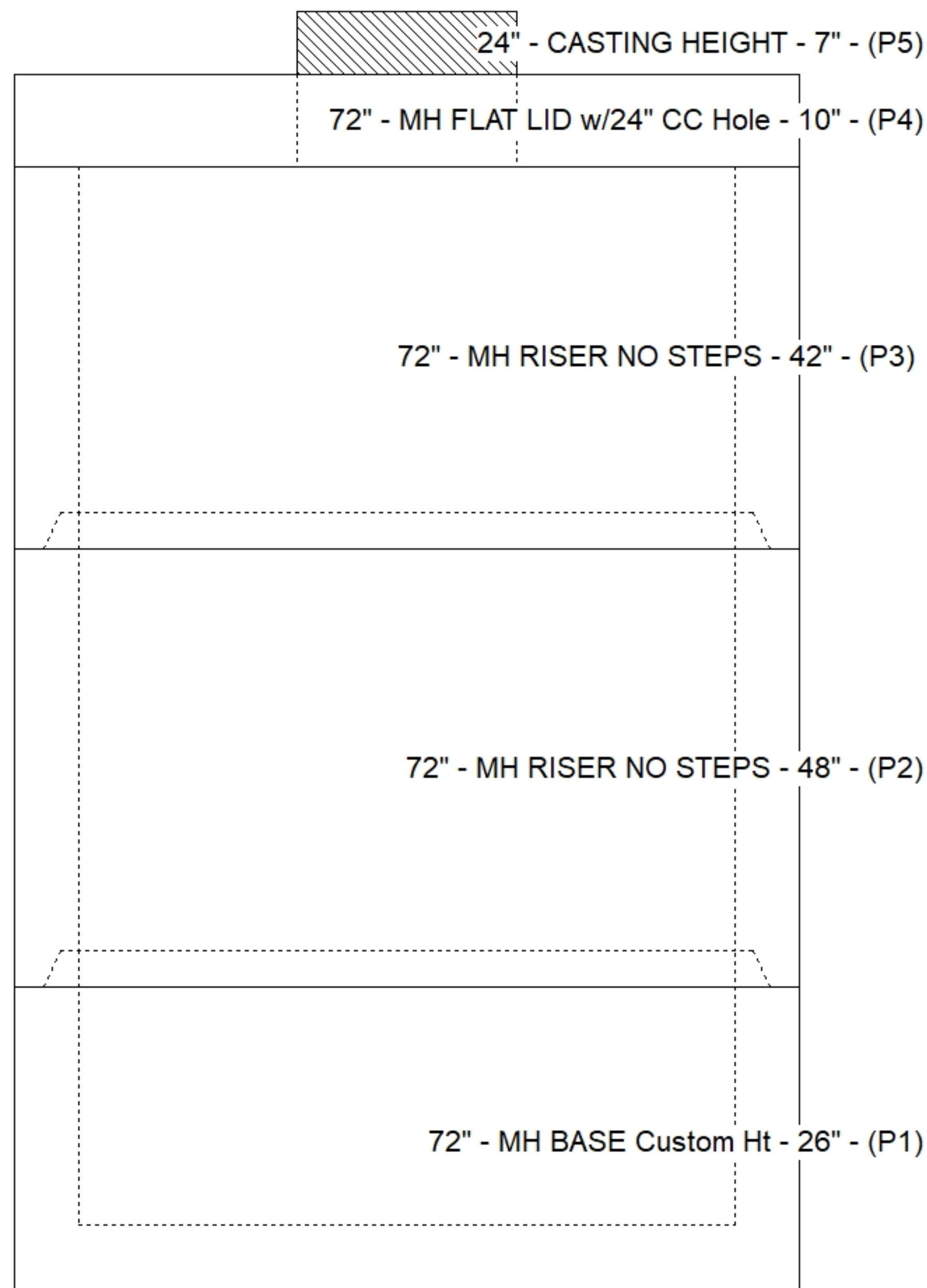
1. MC-375 STORM BY ICAST.
2. PER ASTM C478 SPECIFICATIONS.
3. CONCRETE = 4,000 PSI AT 28 DAYS.
4. REINFORCING PER ASTM A615 (GRADE 60).
 - TOP SLAB (As .31) #5 BAR AT 6" C-C E.W.
 - RISER/WALLS (As .18)
 - FLOOR (As .37) #5 BARS AT 10" C-C E.W.

STRUCTURE SUMMARY:

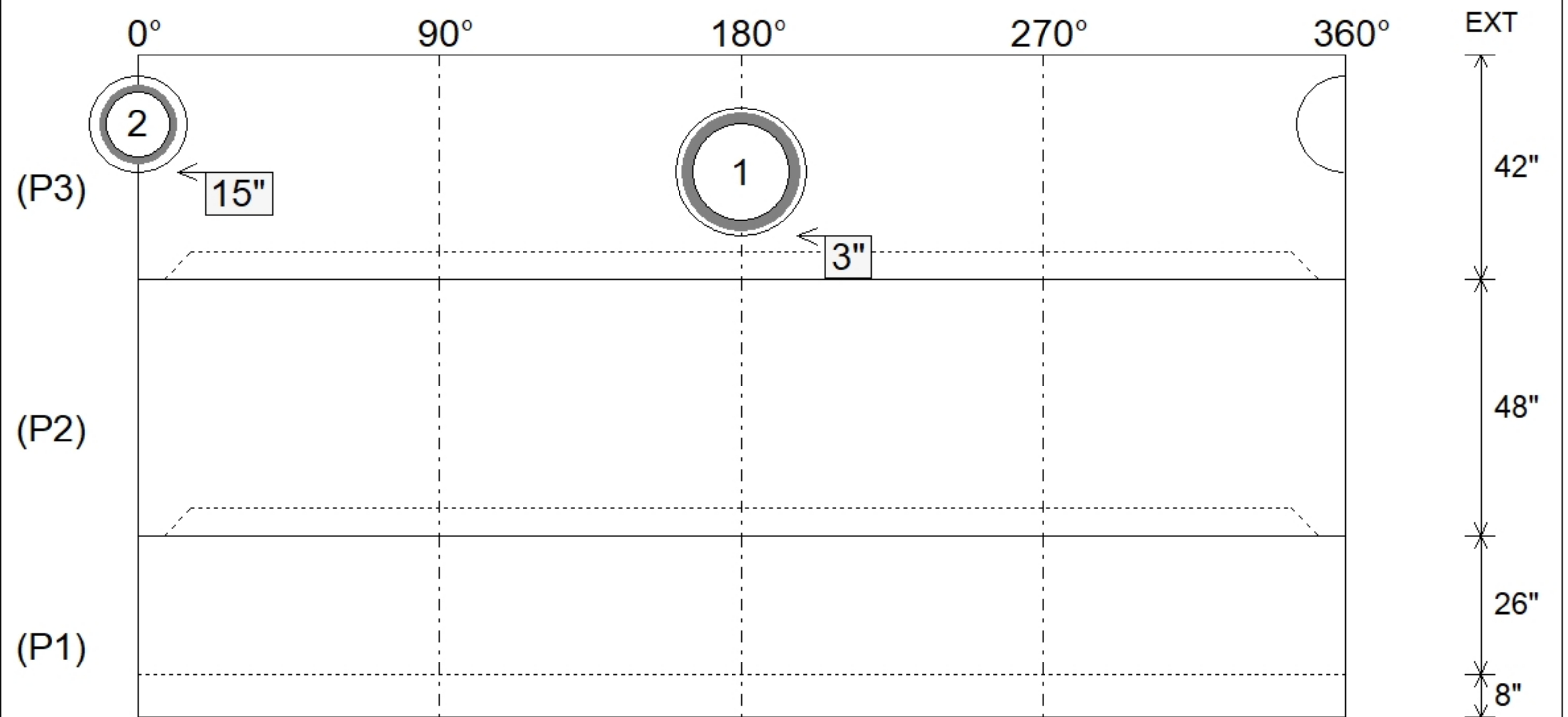
P5) 24" - CASTING HEIGHT - 7"	0 lb
P4) 72" - MH FLAT LID w/24" CC Hole - 10"	4496 lb
P3) 72" - MH RISER NO STEPS - 42"	5702 lb
P2) 72" - MH RISER NO STEPS - 48"	6997 lb
P1) 72" - MH BASE Custom Ht - 26"	7690 lb
1) ASSEMBLY REQUIRED	0 lb
3) 72" - Conseal CS-102 1.00"	0 lb
1) Hole - 24	0 lb
1) Hole - 18	0 lb
Structure Total:	24885 lb



Position	Elev	Angle	Pipe	Pipe OD	Hole	Connector	Up (")	Ref
Rim	490.95'							
Reducer								
Invert 1	486.95'	180°	18" ADS N-12	22"	24"	Hole 24	3"	P3
Invert 2	487.95'	0°	12" ADS N-12	14.5"	18"	Hole 18	15"	P3
Invert 3								
Invert 4								
Invert 5								
Invert 6								
Invert 7								
Invert 8								



Default - Interior Dimensions



Submittal Drawing
 1/27/2026 9:01:57 AM

SUBMITTAL
 APPROVED BY: