

Job Name: 26-1077 - Westside Markets of Greensboro Village
Job Location: Gallatin, TN
Contractor: Cleary Construction, Inc.

PC: C. Goff
 TECH: J. Coppage - F
 Plant: 100



Structure ID: Z3

Spec: Sanitary
 Type: SAN.MH w/ConBlock-CDA Red
 Size: 48"

Rim: 502.16'
 Invert: 491.98'
 Rim to Invert: 10.18'

Sump: 2"
 Floor (Top): 491.813'
 Floor Height: 6"

Floor (Bot): 491.313'
 Overall Height: 10.833'
 Slack: 0.16"

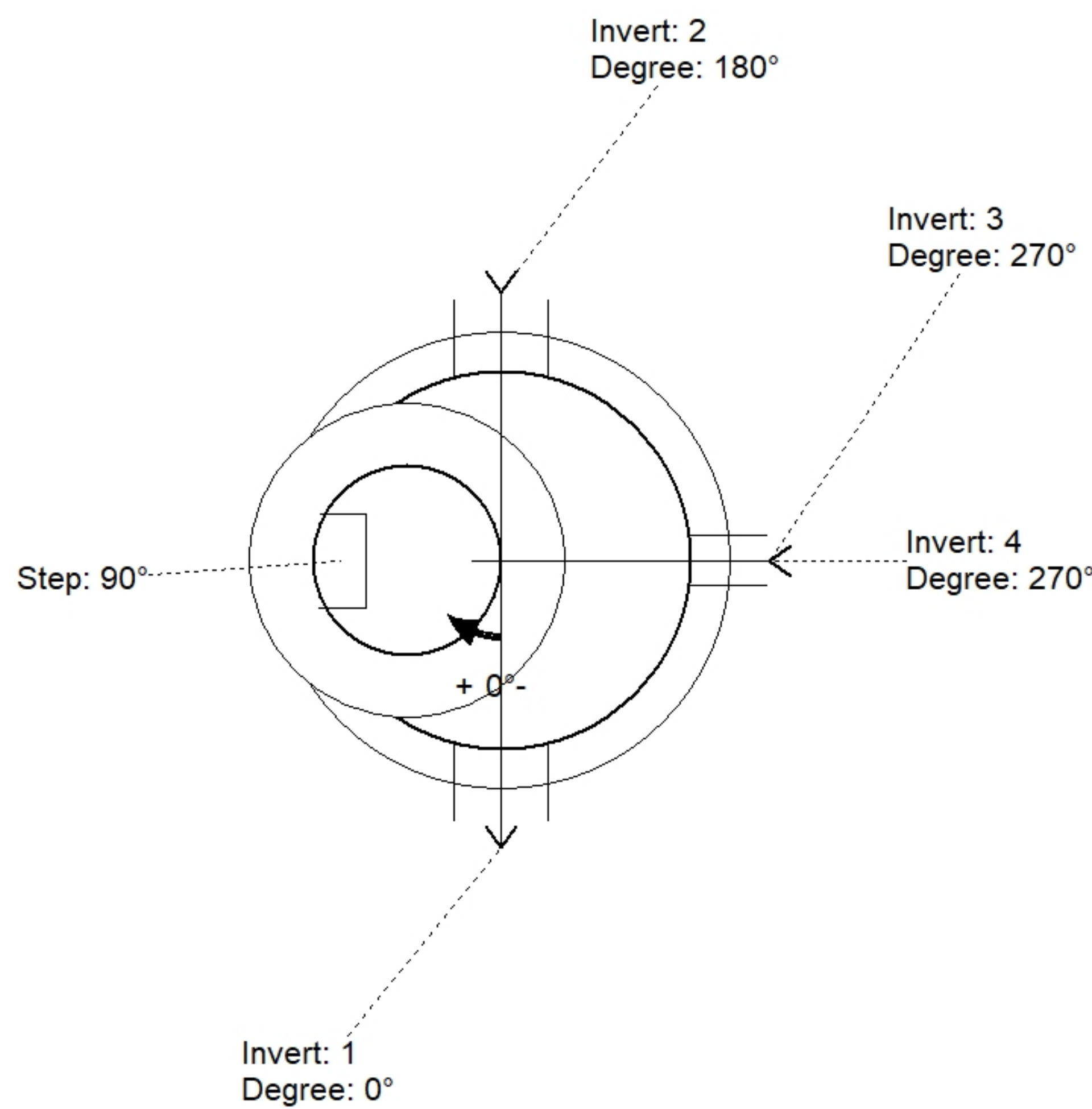
Structure Notes:

- PER ASTM C478 SPECIFICATIONS.
- CONCRETE = 4,000 PSI AT 28 DAYS.
- ADMIXTURE = CONBLOCK CDA RED.
- CASTING SUPPLIED BY OTHERS (JBS 1150 F/C SANITARY).
- EXTERNAL DROP ASSEMBLY BY ICAST.

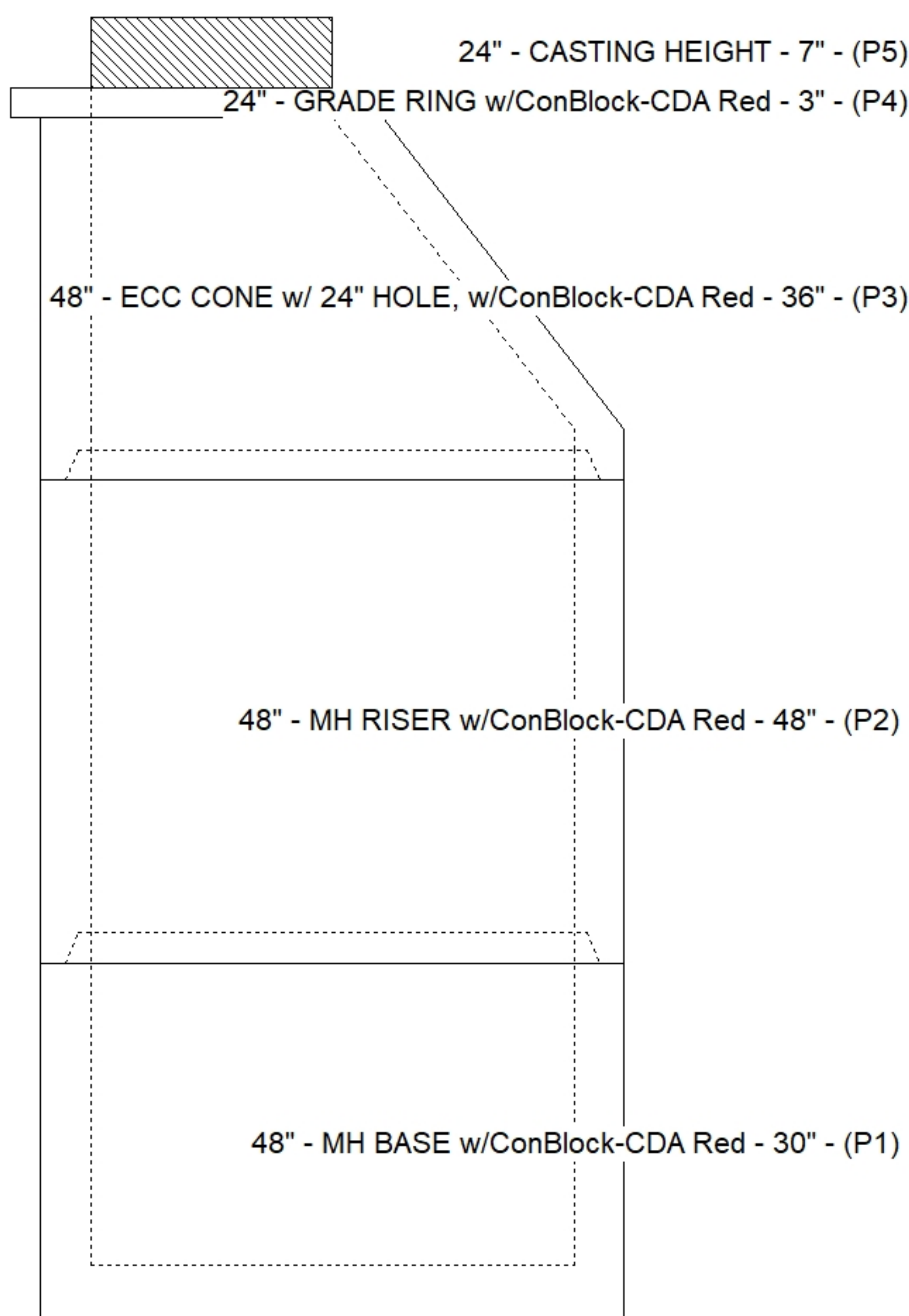
REINFORCING PER ASTM A615 (GRADE 60).
 - CONE (As .12)
 - RISER/WALLS (As .12)
 - FLOOR (As .31) #5 BARS AT 12" C.C.E.W.

STRUCTURE SUMMARY:

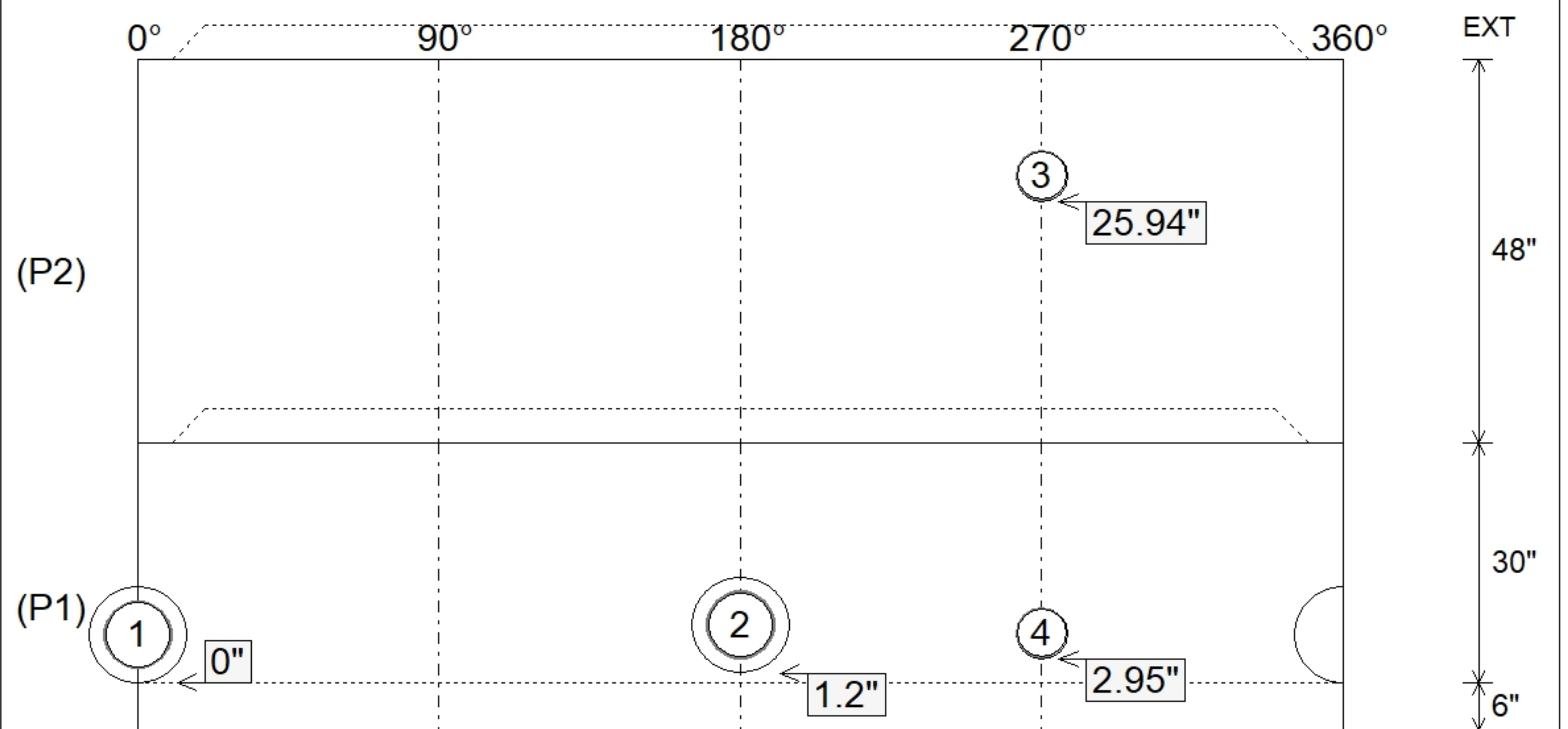
P5) 24" - CASTING HEIGHT - 7"	0 lb
P4) 24" - GRADE RING w/ConBlock-CDA Red - 3"	202 lb
P3) 48" - ECC CONE w/ 24" HOLE, w/ConBlock-CDA Red - 36"	2251 lb
P2) 48" - MH RISER w/ConBlock-CDA Red - 48"	3339 lb
P1) 48" - MH BASE w/ConBlock-CDA Red - 30"	3316 lb
1) JOINT WRAP - 0.065"x6"x50' CONSEAL CS212	0 lb
1) JOINT WRAP PRIMER - CONSEAL CS-75 (1 gal.)	0 lb
1) 48" - MH INVERT CHANNEL w/ConBlock-CDA Red - FULL HEIGHT	1440 lb
1) ADMIXTURE CONBLOCK CDA RED	0 lb
1) CASTING	250 lb
2) 48" - Conseal CS-102 1.00" (Double)	0 lb
2) PSX - 12-08 NYLO	16 lb
1) Drop Tee - 6" PVC	0 lb
1) Drop Elbow - 6" PVC	0 lb
9) MH Step ML-10-TDS-NCR - 10"	0 lb
Structure Total:	10815 lb



Position	Elev	Angle	Pipe	Pipe OD	Hole	Connector	Up (")	Ref
Rim	502.16'							
Reducer								
Invert 1	491.98'	0°	8" PVC SDR26	8.5"	12"	PSX 12-08 NYLO	0"	P1
Invert 2	492.08'	180°	8" PVC SDR26	8.5"	12"	PSX 12-08 NYLO	1.2"	P1
Invert 3	496.85'	270°	6" PVC SDR35	6.25"	6.5"	Drop Tee 6" PVC	25.94"	P2
Invert 4	492.08'	270°	6" PVC SDR35	6.25"	6.5"	Drop Elbow 6" PVC	2.95"	P1
Invert 5								
Invert 6								
Invert 7								
Invert 8								



Default - Interior Dimensions



Submittal Drawing
 4/2/2026 2:59:53 PM

SUBMITTAL
 APPROVED BY: