

Job Name: 26-1077 - Westside Markets of Greensboro Village
 Job Location: Gallatin, TN
 Contractor: Cleary Construction, Inc.

Plant: 100

3/23/2026 11:44:11 AM

Tech: J. Horsley - F

PC: C. Goff



Structure ID: Z3

P1 MH048BA30CDARED

MH BASE w/ConBlock-CDA Red T/n

- P5) 24" - CASTING HEIGHT - 7" 0 lb
- P4) 24" - GRADE RING w/ConBlock-CDA Red F/F - 3" 202 lb
- P3) 48" - ECC CONE w/ 24" HOLE, w/ConBlock-CDA Red F/G - 36" 2251 lb
- P2) 48" - MH RISER w/ConBlock-CDA Red T/G - 48" 3339 lb
- P1) 48" - MH BASE w/ConBlock-CDA Red T/n - 30" 3316 lb
- 1) JOINT WRAP - 0.065"x6"x50' CONSEAL CS212 0 lb
- 1) JOINT WRAP PRIMER - CONSEAL CS-75 (1 gal.) 0 lb
- 1) 48" - MH INVERT CHANNEL w/ConBlock-CDA Red - FULL HEIGHT 1440 lb
- 1) ADMIXTURE CONBLOCK CDA RED 0 lb
- 1) CASTING 250 lb
- 2) 48" - Conseal CS-102 1.00" (Double) 0 lb
- 2) PSX - 12-08 NYLO 16 lb
- 1) Drop Tee - 6" PVC 0 lb
- 1) Drop Elbow - 6" PVC 0 lb
- 9) MH Step ML-10-TDS-NCR - 10" 0 lb

Structure Notes:
 1. PER ASTM C478 SPECIFICATIONS.
 2. CONCRETE = 4,000 PSI AT 28 DAYS.
 3. ADMIXTURE = CONBLOCK CDA RED.
 4. CASTING SUPPLIED BY OTHERS (JBS 1150 F/C SANITARY).
 5. EXTERNAL DROP ASSEMBLY BY ICAST.

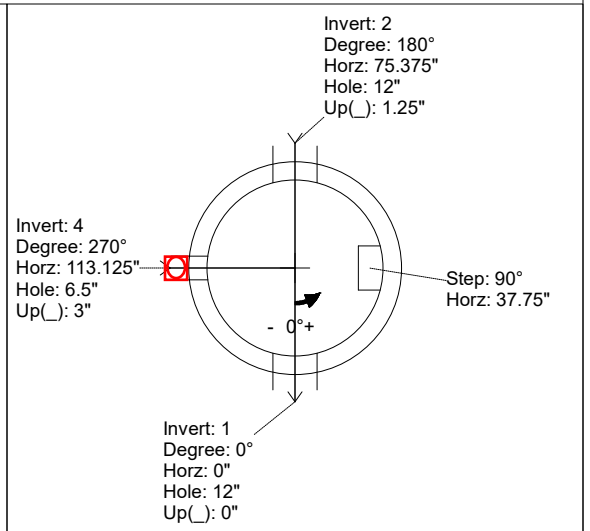
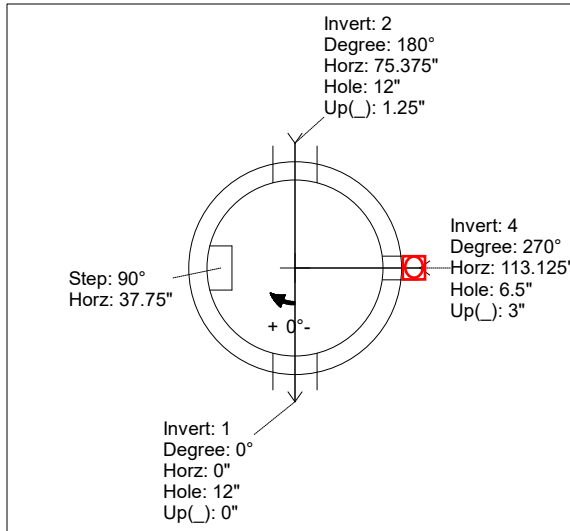
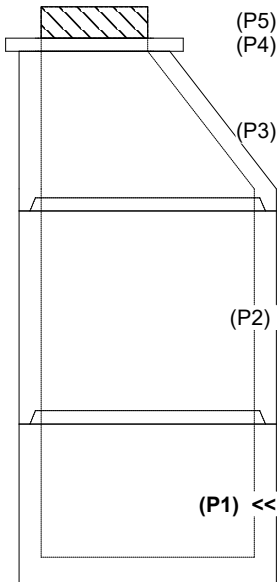
REINFORCING PER ASTM A615 (GRADE 60).
 - CONE (As .12)
 - RISER/WALLS (As .12)
 - FLOOR (As .31) #5 BARS AT 12" C.C.E.W.

Rim: 502.16' Rim to Invert: 10.18' Slack: 0.16" Sump: 2' Structure Total: 10815 lb Step Position: 90"

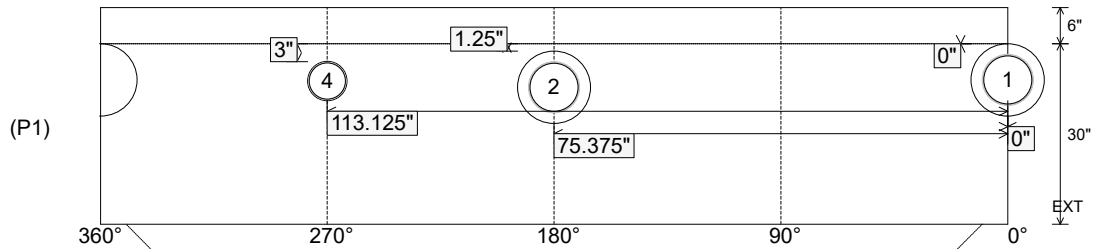
Position	Elev	Angle	Ext. (cw)	Pipe	Pipe OD	Connector	Hole	Horz Size	Up ()	Offset
Invert 1	491.98'	0°	0"	8" PVC SDR26	8.5"	PSX 12-08 NYLO	12"	12.129"	0"	0"
Invert 2	492.08'	180°	91.125"	8" PVC SDR26	8.5"	PSX 12-08 NYLO	12"	12.129"	1.25"	0"
Invert 3										
Invert 4	492.08'	270°	136.625"	6" PVC SDR35	6.25"	Drop Elbow 6" PVC	6.5"	6.52"	3"	0"
Invert 5										
Invert 6										
Invert 7										
Invert 8										

RIGHT-SIDE UP VIEW (int. dimensions)

UPSIDE-DOWN VIEW (int. dimensions)



INSIDE WALL DIMENSIONS



Coating (Int):
 Coating (Ext):

Seam Up: Tongue
 Seam Dn: n/a

Wall Thickness: 5"
 Floor Height: 6"

Height (Int): 30"
 Height (Ext): 36"

Weight (Net): 3316 lb
 Volume (Net): 0.85cu.yd

Job Name: 26-1077 - Westside Markets of Greensboro Village
 Job Location: Gallatin, TN
 Contractor: Cleary Construction, Inc.

Plant: 100

3/23/2026 11:44:11 AM

Tech: J. Horsley - F

PC: C. Goff



Structure ID: Z3

P1 MH048BA30CDARED

MH BASE w/ConBlock-CDA Red T/n

- P5) 24" - CASTING HEIGHT - 7" 0 lb
- P4) 24" - GRADE RING w/ConBlock-CDA Red F/F - 3" 202 lb
- P3) 48" - ECC CONE w/ 24" HOLE, w/ConBlock-CDA Red F/G - 36" 2251 lb
- P2) 48" - MH RISER w/ConBlock-CDA Red T/G - 48" 3339 lb
- P1) 48" - MH BASE w/ConBlock-CDA Red T/n - 30" 3316 lb
- 1) JOINT WRAP - 0.065"x6"x50' CONSEAL CS212 0 lb
- 1) JOINT WRAP PRIMER - CONSEAL CS-75 (1 gal.) 0 lb
- 1) 48" - MH INVERT CHANNEL w/ConBlock-CDA Red - FULL HEIGHT 1440 lb
- 1) ADMIXTURE CONBLOCK CDA RED 0 lb
- 1) CASTING 250 lb
- 2) 48" - Conseal CS-102 1.00" (Double) 0 lb
- 2) PSX - 12-08 NYLO 16 lb
- 1) Drop Tee - 6" PVC 0 lb
- 1) Drop Elbow - 6" PVC 0 lb
- 9) MH Step ML-10-TDS-NCR - 10" 0 lb

- Structure Notes:**
1. PER ASTM C478 SPECIFICATIONS.
 2. CONCRETE = 4,000 PSI AT 28 DAYS.
 3. ADMIXTURE = CONBLOCK CDA RED.
 4. CASTING SUPPLIED BY OTHERS (JBS 1150 F/C SANITARY).
 5. EXTERNAL DROP ASSEMBLY BY ICAST.

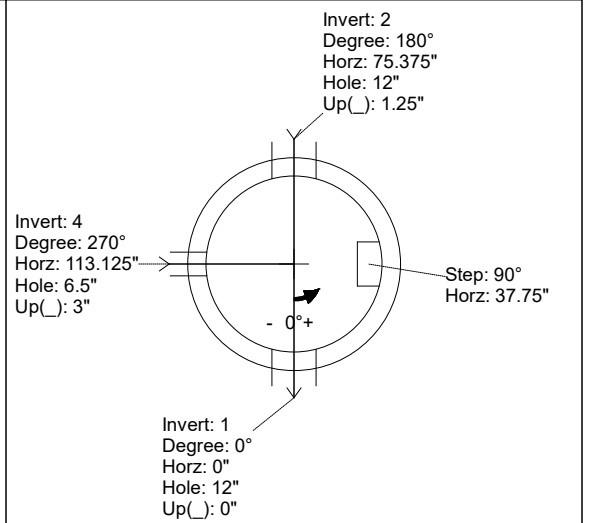
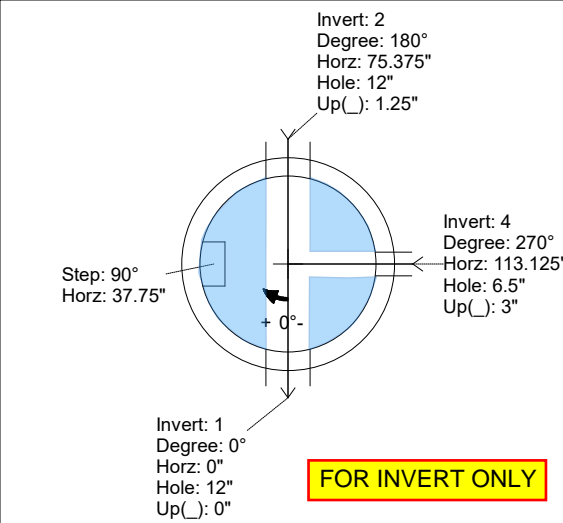
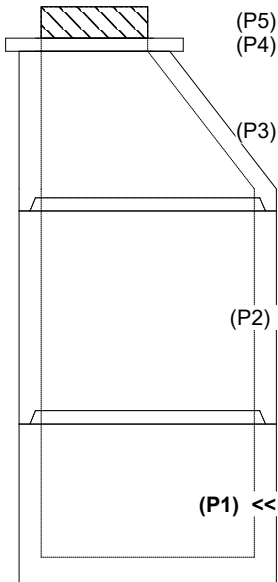
REINFORCING PER ASTM A615 (GRADE 60).
 - CONE (As .12)
 - RISER/WALLS (As .12)
 - FLOOR (As .31) #5 BARS AT 12" C.C.E.W.

Rim: 502.16' Rim to Invert: 10.18' Slack: 0.16" Sump: 2' Structure Total: 10815 lb Step Position: 90"

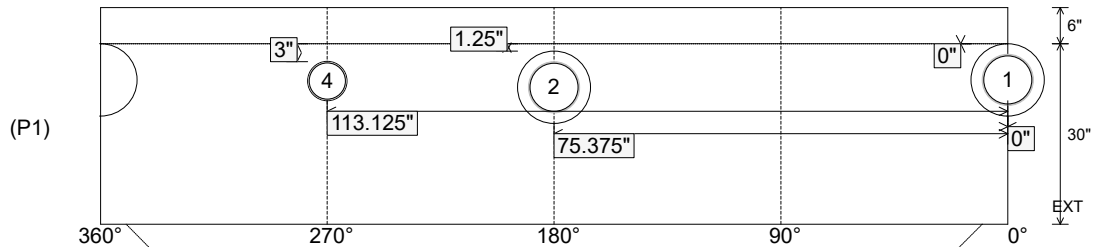
Position	Elev	Angle	Ext. (cw)	Pipe	Pipe OD	Connector	Hole	Horz Size	Up ()	Offset
Invert 1	491.98'	0°	0"	8" PVC SDR26	8.5"	PSX 12-08 NYLO	12"	12.129"	0"	0"
Invert 2	492.08'	180°	91.125"	8" PVC SDR26	8.5"	PSX 12-08 NYLO	12"	12.129"	1.25"	0"
Invert 3										
Invert 4	492.08'	270°	136.625"	6" PVC SDR35	6.25"	Drop Elbow 6" PVC	6.5"	6.52"	3"	0"
Invert 5										
Invert 6										
Invert 7										
Invert 8										

RIGHT-SIDE UP VIEW (int. dimensions)

UPSIDE-DOWN VIEW (int. dimensions)



INSIDE WALL DIMENSIONS



Coating (Int):
Coating (Ext):

Seam Up: Tongue
Seam Dn: n/a

Wall Thickness: 5"
Floor Height: 6"

Height (Int): 30"
Height (Ext): 36"

Weight (Net): 3316 lb
Volume (Net): 0.85cu.yd