

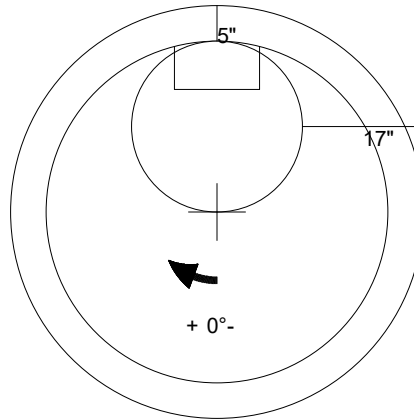
Job Name: 26-1077 - Westside Markets of Greensboro Village Job Location: Gallatin, TN Contractor: Cleary Construction, Inc.	Plant: 100	Tech: J. Horsley - F
	3/23/2026 11:46:04 AM	PC: C. Goff

Structure ID: X1

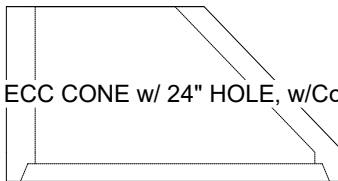
P3 MH048CN30CDARED

ECC CONE w/ 24" HOLE, w/ConBlock-CDA Red F/G

P4) 24" - CASTING HEIGHT - 7"	0 lb	<u>Structure Notes:</u> 1. PER ASTM C478 SPECIFICATIONS. 2. CONCRETE = 4,000 PSI AT 28 DAYS. 3. ADMIXTURE = CONBLOCK CDA RED. 4. CASTING SUPPLIED BY OTHERS (JBS 1150 F/C SANITARY).
P3) 48" - ECC CONE w/ 24" HOLE, w/ConBlock-CDA Red F/G - 30"	1961 lb	
P2) 48" - MH RISER w/ConBlock-CDA Red T/G - 24"	1677 lb	
P1) 48" - MH BASE w/ConBlock-CDA Red T/n - 30"	3378 lb	
1) JOINT WRAP - 0.065"x6"x50' CONSEAL CS212	0 lb	REINFORCING PER ASTM A615 (GRADE 60). - CONE (As .12) - RISER/WALLS (As .12) - FLOOR (As .31) #5 BARS AT 12" C.C.E.W.
1) JOINT WRAP PRIMER - CONSEAL CS-75 (1 gal.)	0 lb	
1) 48" - MH INVERT CHANNEL w/ConBlock-CDA Red - FULL HEIGHT	1440 lb	
1) ADMIXTURE CONBLOCK CDA RED	0 lb	
2) 48" - Conseal CS-102 1.00" (Double)	0 lb	
1) PSX - 12-08 NYLO	8 lb	
7) MH Step ML-10-TDS-NCR - 10"	0 lb	
Structure Total:	8464 lb	



48" - ECC CONE w/ 24" HOLE, w/ConBlock-CDA Red F/G - 30" - (P3)



Coating (Int): Coating (Ext):	Seam Up: Flat Seam Dn: Groove	Wall Thickness: 5"	Height (Ext): 30"	Weight (Net): 1961 lb Volume (Net): 0.5cu.yd
----------------------------------	----------------------------------	--------------------	-------------------	---