

Job Name: 26-1077 - Westside Markets of Greensboro Village
Job Location: Gallatin, TN
Contractor: Cleary Construction, Inc.

PC: C. Goff
 TECH: J. Coppage - F
 Plant: 100



Structure ID: **G1**
 Spec: Storm
 Type: STM.MH
 Size: 60"

Rim: 499.1'
 Invert: 491.7'
 Rim to Invert: 7.4'

Sump: 4"
 Floor (Top): 491.367'
 Floor Height: 8"

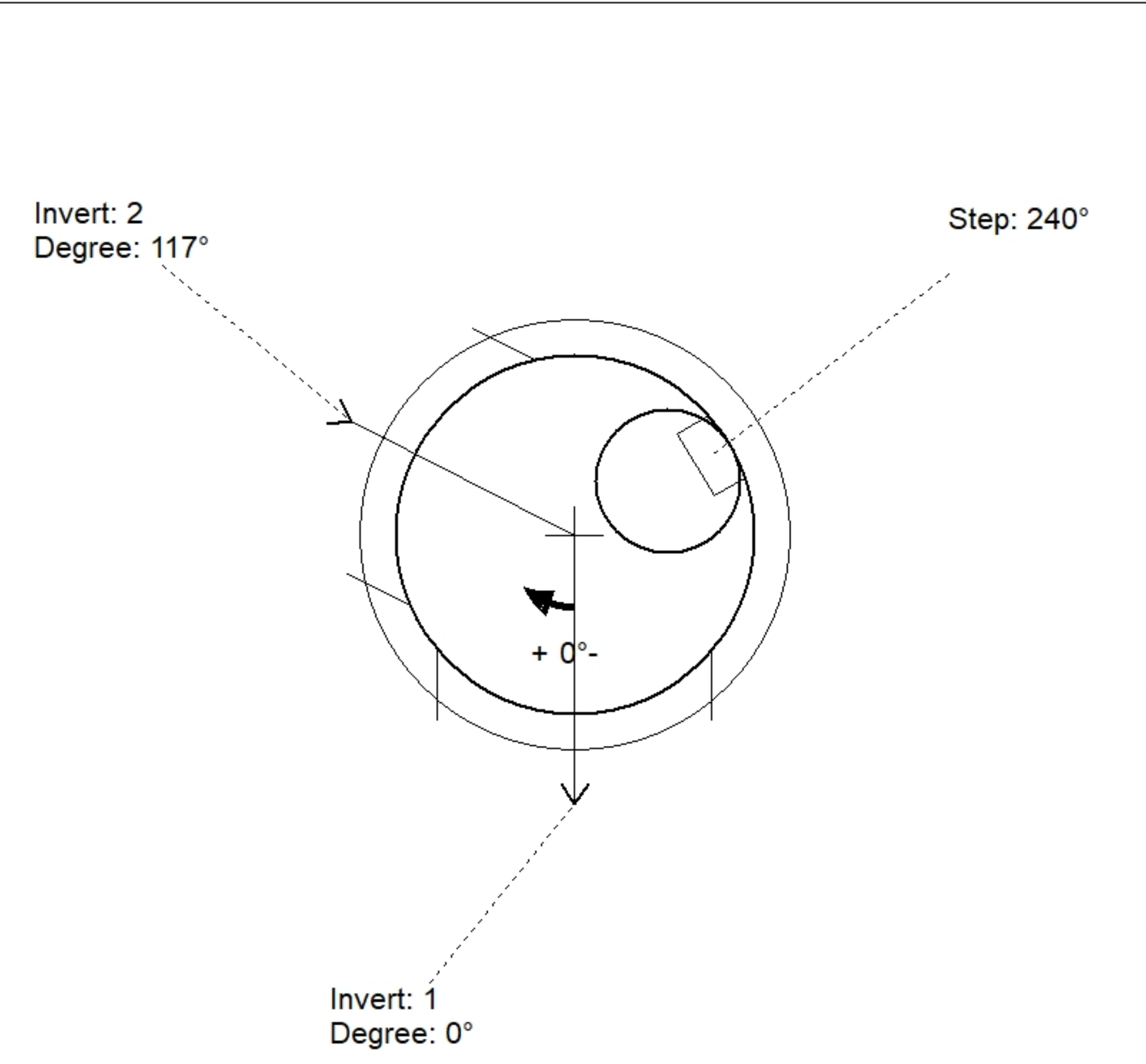
Floor (Bot): 490.7'
 Overall Height: 8.167'
 Slack: 2.8"

Structure Notes:

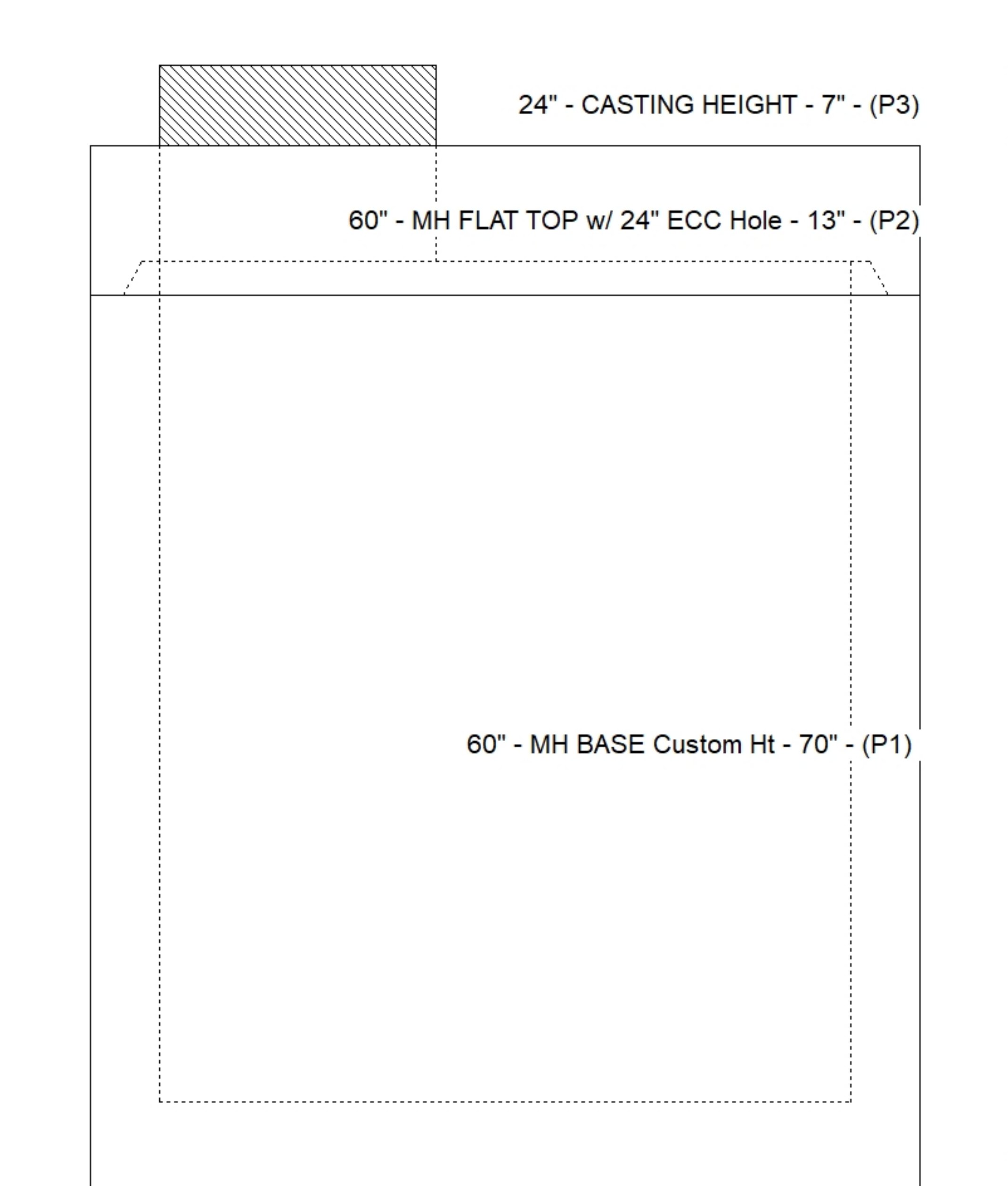
- PER ASTM C478 SPECIFICATIONS.
 - CONCRETE = 4,000 PSI AT 28 DAYS.
 - CASTING SUPPLIED BY OTHERS (JBS 1150 F/C STORM).
- REINFORCING PER ASTM A615 (GRADE 60).
 - TOP SLAB (As .62) #5 BARS AT 6" C.C.E.W..
 - RISER/WALLS (As .18)
 - FLOOR (As .37) #5 BARS AT 10" C.C.E.W.

STRUCTURE SUMMARY:

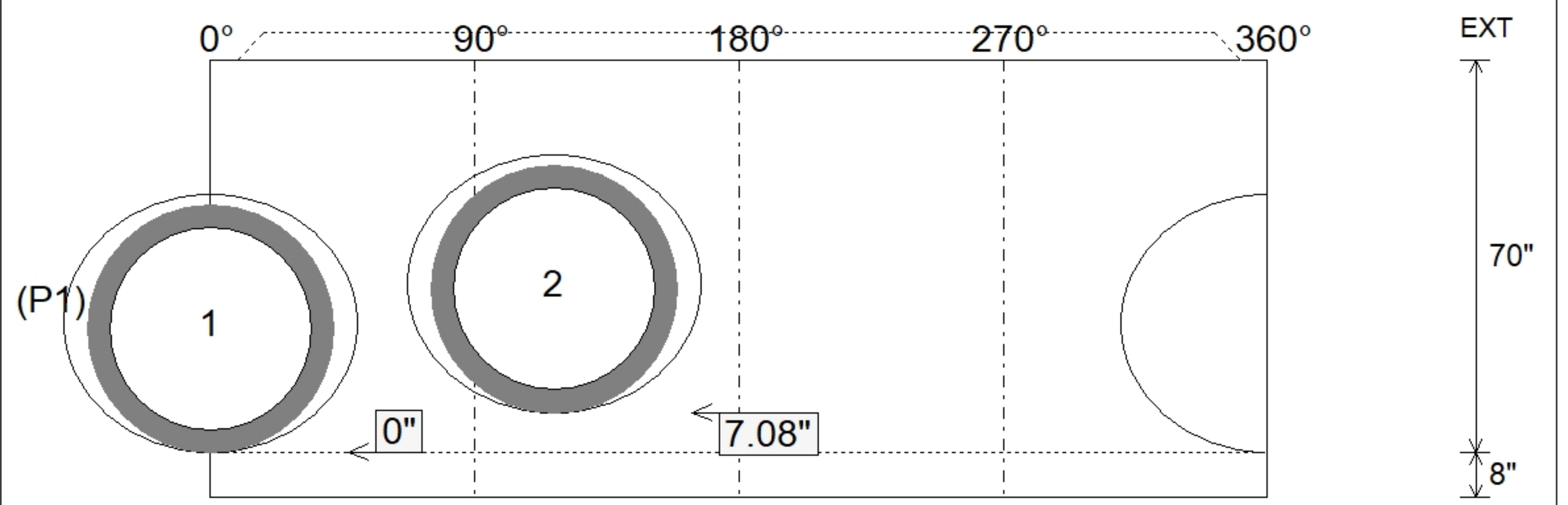
P3) 24" - CASTING HEIGHT - 7"	0 lb
P2) 60" - MH FLAT TOP w/ 24" ECC Hole - 13"	2869 lb
P1) 60" - MH BASE Custom Ht - 70"	8180 lb
1) 60" - STORM INVERT CHANNEL - 1/4 HEIGHT	1700 lb
1) 60" - Conseal CS-102 1.00"	0 lb
2) Hole - 46	0 lb
6) MH Step ML-10-TDS-NCR - 10"	0 lb
Structure Total:	12749 lb



Position	Elev	Angle	Pipe	Pipe OD	Hole	Connector	Up (L)	Ref
Rim	499.1'							
Reducer								
Invert 1	491.7'	0°	36" RCP B WALL	44"	46"	Hole 46	0"	P1
Invert 2	492.29'	117°	36" RCP B WALL	44"	46"	Hole 46	7.08"	P1
Invert 3								
Invert 4								
Invert 5								
Invert 6								
Invert 7								
Invert 8								



Default - Interior Dimensions



Submittal Drawing
 4/2/2026 3:00:11 PM

SUBMITTAL
 APPROVED BY: