

Job Name: 26-1077 - Westside Markets of Greensboro Village
Job Location: Gallatin, TN
Contractor: Cleary Construction, Inc.

PC: C. Goff
 TECH: J. Horsley - F
 Plant: 100



Structure ID: **D1 (30)**
 Spec: Storm
 Type: BX 8inW, 12inF, 18inEF
 Size: 66" x 66"

Rim: 496.15'
 Invert: 486.2'
 Rim to Invert: 9.95'

Sump: 0"
 Floor (Top): 486.2'
 Floor Height: 12"

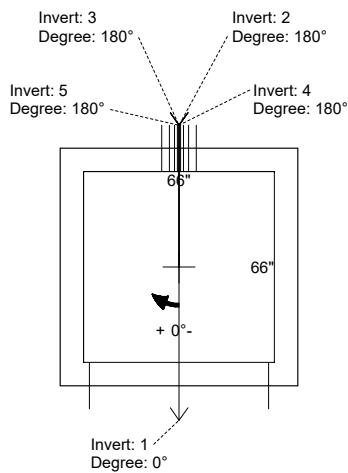
Floor (Bot): 485.2'
 Overall Height: 10.917'
 Slack: 0.4"

Structure Notes:

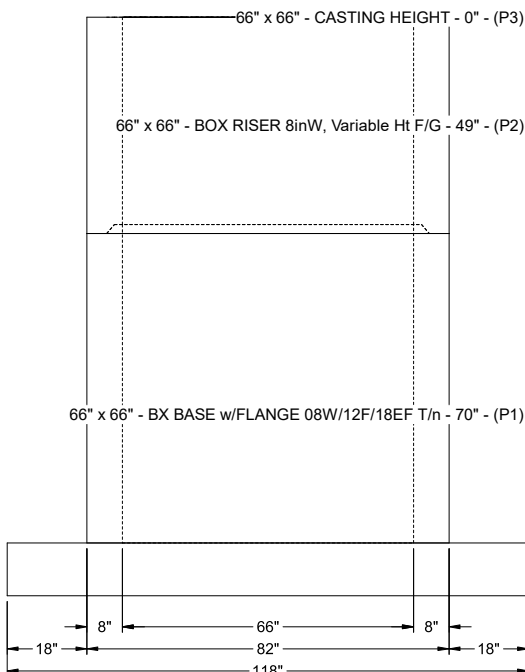
1. PER ASTM C-913 SPECIFICATIONS
2. CONCRETE: 4,000 PSI AT 28 DAYS
3. REINFORCEMENT:
 - RISER: #5 BAR @ 12" C.C. E.W. (GRADE 60)
 - BASE WALLS: #5 BAR @ 12" C.C. E.W. (GRADE 60)
 - BASE FLOOR: DOUBLE MAT #5 BAR @ 12" C.C. E.W. (GRADE 60)
4. NO STORM INVERT
5. NO STEPS
6. CASTING SUPPLIED BY OTHERS

STRUCTURE SUMMARY:

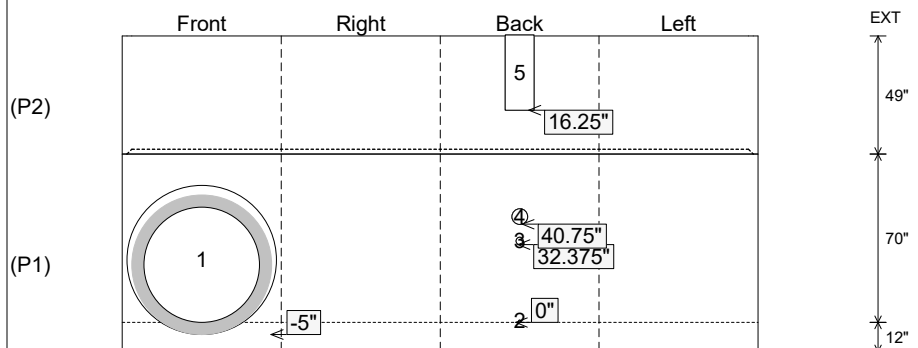
P3) 66" x 66" - CASTING HEIGHT - 0"	0 lb
P2) 66" x 66" - BOX RISER 8inW, Variable Ht F/G - 49"	9488 lb
P1) 66" x 66" - BX BASE w/FLANGE 08W/12F/18EF T/n - 70"	25876 lb
1) SECONDARY POUR	0 lb
1) 66" x 66" - Conseal CS-102 1.00"	0 lb
1) Hole - 62	0 lb
1) Hole - 1	0 lb
1) Hole - 3	0 lb
1) Orifice - 6.5"	0 lb
1) Weir n/n - 12"x31.2"	0 lb
Structure Total:	35364 lb



Position	Elev	Angle	Pipe	Pipe OD	Hole	Connector	Up (")	Ref
Rim	496.15'							
Reducer								
Invert 1	486.2'	0°	48" RCP B WALL	58"	62"	Hole 62	-5"	P1
Invert 2	486.2'	180°	1" Orifice	1"	1"	Hole 1	0"	P1
Invert 3	488.9'	180°	3" Orifice	3"	3"	Hole 3	32.375"	P1
Invert 4	489.6'	180°	6.5" Orifice	6.5"	6.5"	Orifice 6.5"	40.75"	P1
Invert 5	493.55'	180°	12" x 31.2" Weir	12" x 31.2"	12" x 31.2"	Weir 12"x31.2"	16.25"	P2
Invert 6								
Invert 7								
Invert 8								



Cast (Int. Dim.) - Interior Dimensions



Submittal Drawing
 3/3/2026 12:24:12 PM

SUBMITTAL
 APPROVED BY: