



Structure ID: D0

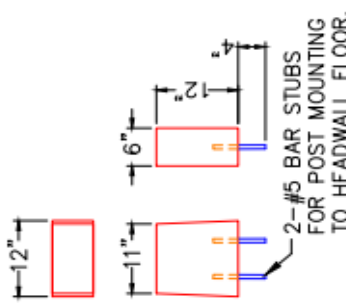
P1 HWPC48FD

48" - PIPE CULVERT HEADWALL w/Flat Bottom/Dissipators F/F

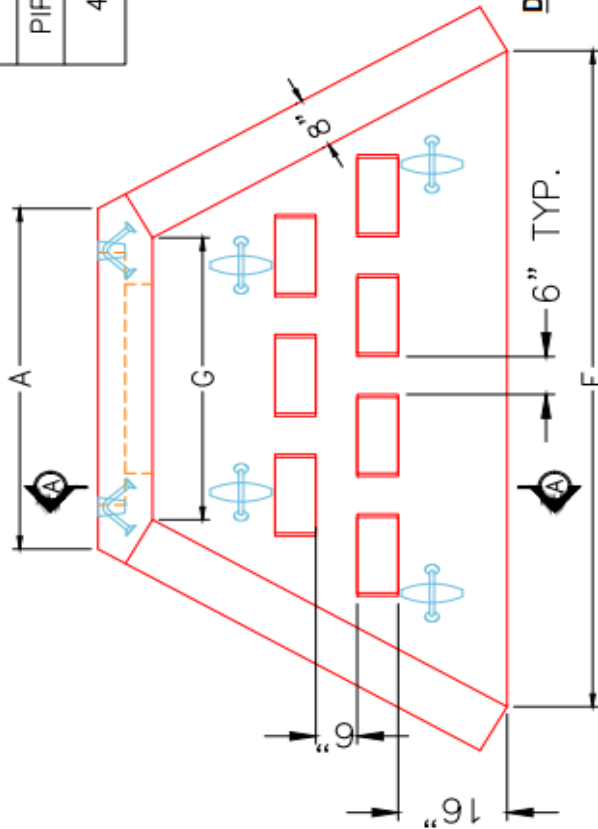
DIMENSIONS								
PIPE Ø	A	B	C	D	E	F	G	WEIGHT
48"	6'-0"	6'-1"	5'-5"	2'-0"	6'-2"	11'-0"	4'-10"	11,365 LBS

GENERAL NOTES:

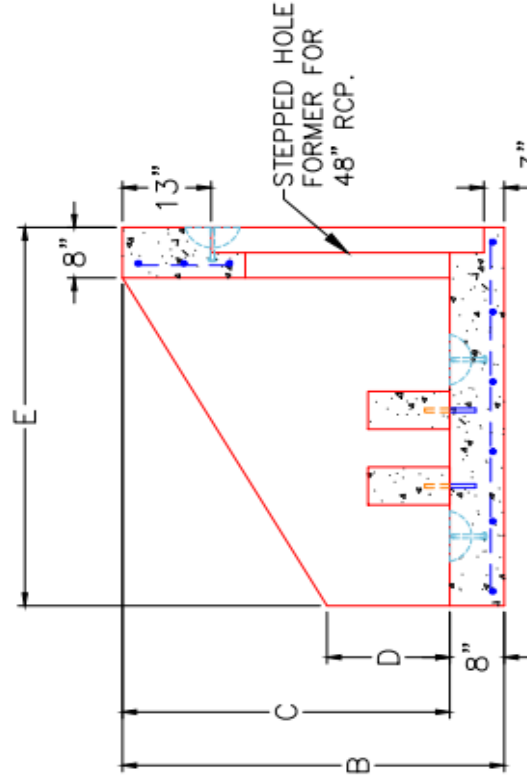
1. MANUFACTURED TO ASTM C-913 (LATEST REVISION).
2. CONCRETE: 5,000 PSI OR GREATER AT 28 DAYS.
3. REINFORCING: #5 BAR @ 12" C/C E.W. (GRADE 60).
4. WEIGHT: 11,365 LBS.
5. CONTRACTOR TO VERIFY ALL DIMENSIONS BEFORE MANUFACTURE.
6. ALL LIFT POINTS AND PIPE OPENINGS TO BE GROUTED BY CONTRACTOR.



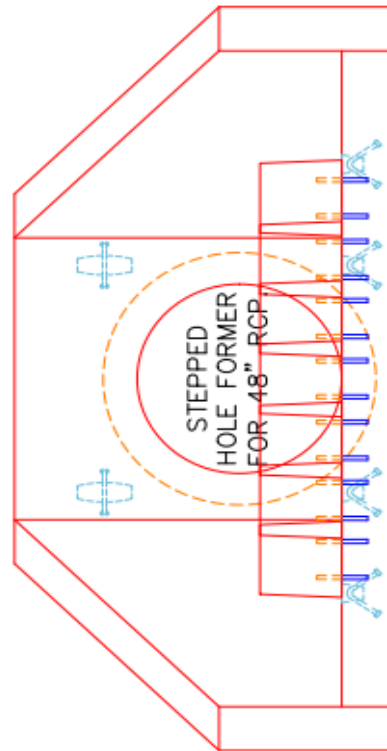
DISSIPATOR BLOCK DETAIL



PLAN VIEW



SECTION A-A



FRONT ELEVATION

REVISION INFORMATION	
REV. DATE	NO REVISIONS TO DATE

SUBMITTAL DRAWING: 48" PC HW W/ FB & DISS.	
CUSTOMER: CLEARY CONSTRUCTION, INC	
PROJECT: WESTSIDE MARKETS OF GREENSBORO VILLAGE	
STRUCTURE: D0	
QUOTE/SALES ORDER NO:	26-1077
PC: C. GOFF	DRAWN BY: FMT
DATE: 01/20/26	SCALE: NTS
	PG. 1 of 1