

Job Name: 26-1077 - Westside Markets of Greensboro Village
 Job Location: Gallatin, TN
 Contractor: Cleary Construction, Inc.

Plant: 100
 3/27/2026 4:33:44 PM

Tech: J. Horsley - F
 PC: C. Goff



Structure ID: C3

P1 MH048BAVF

MH BASE Custom Ht T/n

- P3) 30" x 36" - CASTING HEIGHT - 6.50"
- P2) 48" - MH FLAT TOP w/30"x36" Hole F/G - 12"
- P1) 48" - MH BASE Custom Ht T/n - 44"
- 1) 48" - STORM INVERT CHANNEL - 1/4 HEIGHT
- 1) 48" - Conseal CS-102 1.00"
- 1) Hole - 30
- 1) Hole - 24
- 3) Hole - 6
- 4) MH Step ML-10-TDS-NCR - 10"

0 lb
 1171 lb
 3855 lb
 1075 lb
 0 lb
 0 lb
 0 lb
 0 lb
 0 lb
 0 lb
 Structure Total: 6101 lb

Structure Notes:
 1. PER ASTM C478 SPECIFICATIONS.
 2. CONCRETE = 4,000 PSI AT 28 DAYS.
 3. CASTING SUPPLIED BY OTHERS (JBS 2064 F/G/H - SINGLE CURB INLET).

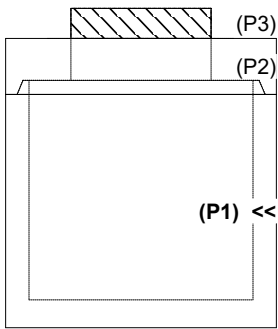
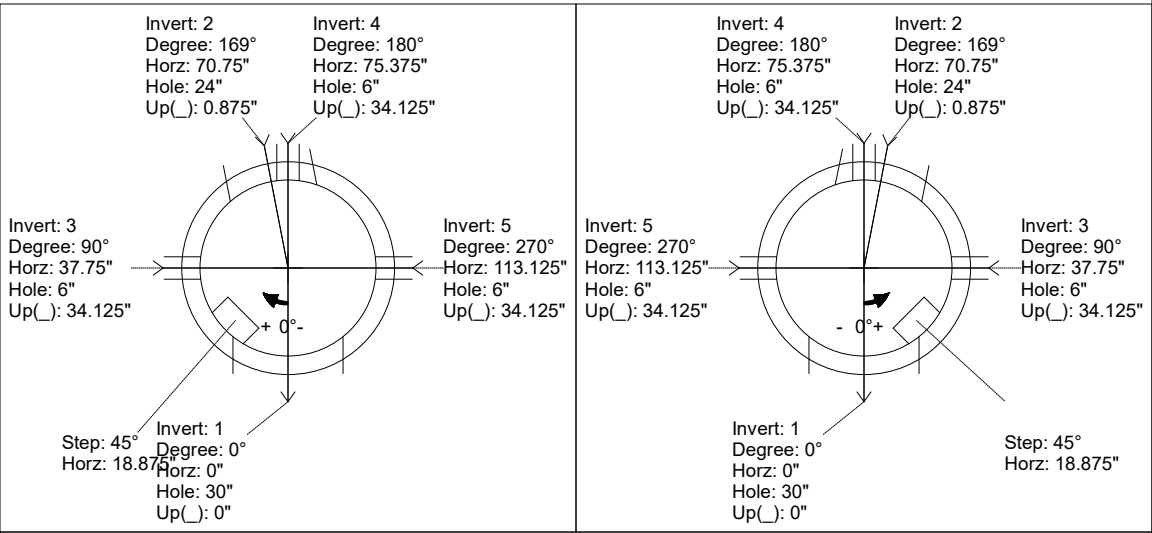
 REINFORCING PER ASTM A615 (GRADE 60).
 - TOP SLAB (As .62) #5 BARS AT 6" C.C.E.W..
 - RISER/WALLS (As .12)
 - FLOOR (As .31) #5 BARS AT 12" C.C.E.W.

Rim: 497' Rim to Invert: 5.22' Slack: 2.04" Sump: 1.9" Step Position: 45°

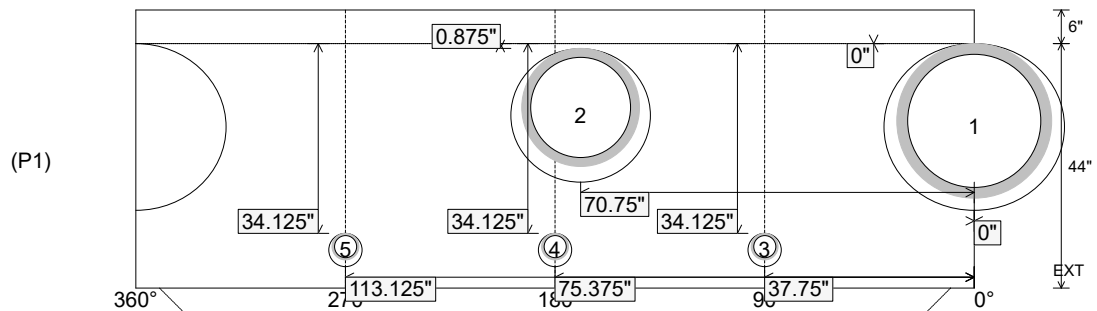
Position	Elev	Angle	Ext. (cw)	Pipe	Pipe OD	Connector	Hole	Horz Size	Up ()	Offset
Invert 1	491.78'	0°	0"	24" HDPE	27.8"	Hole 30	30"	32.406"	0"	0"
Invert 2	491.83'	169°	85.5"	18" HDPE	21.2"	Hole 24	24"	25.133"	0.875"	0"
Invert 3	494.5'	90°	45.5"	4" HDPE (perf pipe)	4.8"	Hole 6	6"	6.016"	34.125"	0"
Invert 4	494.5'	180°	91.125"	4" HDPE (perf pipe)	4.8"	Hole 6	6"	6.016"	34.125"	0"
Invert 5	494.5'	270°	136.625"	4" HDPE (perf pipe)	4.8"	Hole 6	6"	6.016"	34.125"	0"
Invert 6										
Invert 7										
Invert 8										

RIGHT-SIDE UP VIEW (int. dimensions)

UPSIDE-DOWN VIEW (int. dimensions)



INSIDE WALL DIMENSIONS



Coating (Int): Coating (Ext):	Seam Up: Tongue Seam Dn: n/a	Wall Thickness: 5" Floor Height: 6"	Height (Int): 44" Height (Ext): 50"	Weight (Net): 3855 lb Volume (Net): 0.98cu.yd
----------------------------------	---------------------------------	----------------------------------------	----------------------------------------	--------------------------------------------------

Job Name: 26-1077 - Westside Markets of Greensboro Village
 Job Location: Gallatin, TN
 Contractor: Cleary Construction, Inc.

Plant: 100
 3/27/2026 4:33:44 PM

Tech: J. Horsley - F
 PC: C. Goff



Structure ID: C3

P1 MH048BAVF

MH BASE Custom Ht T/n

P3) 30" x 36" - CASTING HEIGHT - 6.50"
 P2) 48" - MH FLAT TOP w/30"x36" Hole F/G - 12"
 P1) 48" - MH BASE Custom Ht T/n - 44"

1) 48" - STORM INVERT CHANNEL - 1/4 HEIGHT

- 1) 48" - Conseal CS-102 1.00"
- 1) Hole - 30
- 1) Hole - 24
- 3) Hole - 6
- 4) MH Step ML-10-TDS-NCR - 10"

0 lb
 1171 lb
 3855 lb
 1075 lb
 0 lb
 0 lb
 0 lb
 0 lb
 0 lb
 0 lb
 Structure Total: 6101 lb

Structure Notes:

1. PER ASTM C478 SPECIFICATIONS.
2. CONCRETE = 4,000 PSI AT 28 DAYS.
3. CASTING SUPPLIED BY OTHERS (JBS 2064 F/G/H - SINGLE CURB INLET).

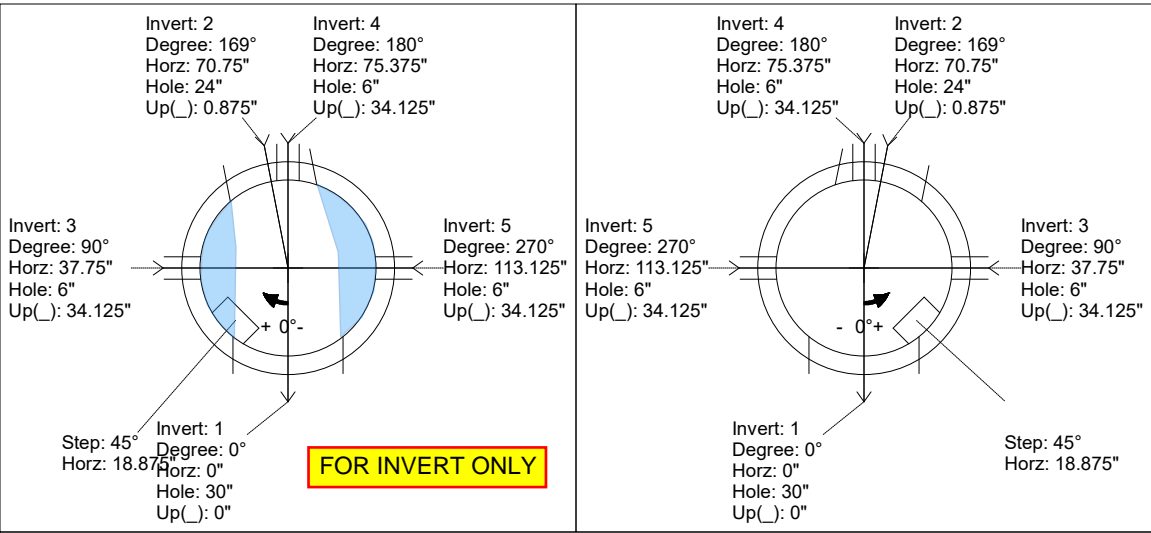
REINFORCING PER ASTM A615 (GRADE 60).
 - TOP SLAB (As .62) #5 BARS AT 6" C.C.E.W..
 - RISER/WALLS (As .12)
 - FLOOR (As .31) #5 BARS AT 12" C.C.E.W.

Rim: 497' Rim to Invert: 5.22' Slack: 2.04" Sump: 1.9" Step Position: 45°

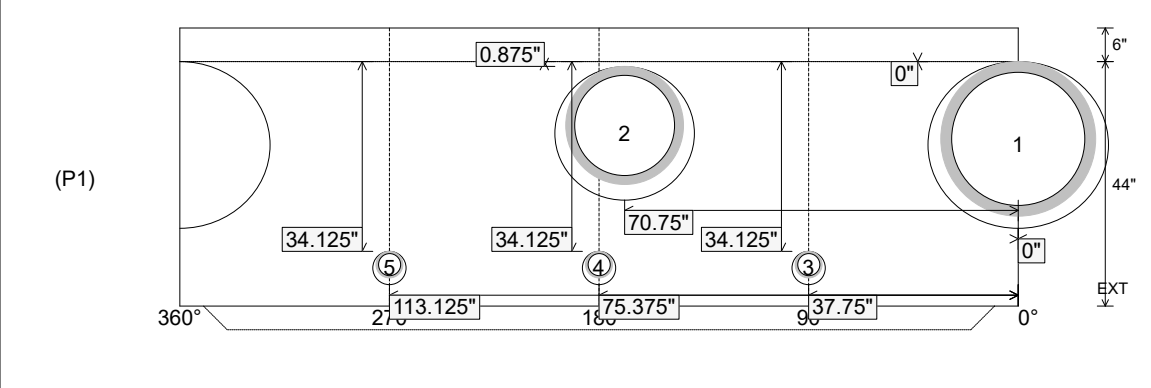
Position	Elev	Angle	Ext. (cw)	Pipe	Pipe OD	Connector	Hole	Horz Size	Up ()	Offset
Invert 1	491.78'	0°	0"	24" HDPE	27.8"	Hole 30	30"	32.406"	0"	0"
Invert 2	491.83'	169°	85.5"	18" HDPE	21.2"	Hole 24	24"	25.133"	0.875"	0"
Invert 3	494.5'	90°	45.5"	4" HDPE (perf pipe)	4.8"	Hole 6	6"	6.016"	34.125"	0"
Invert 4	494.5'	180°	91.125"	4" HDPE (perf pipe)	4.8"	Hole 6	6"	6.016"	34.125"	0"
Invert 5	494.5'	270°	136.625"	4" HDPE (perf pipe)	4.8"	Hole 6	6"	6.016"	34.125"	0"
Invert 6										
Invert 7										
Invert 8										

RIGHT-SIDE UP VIEW (int. dimensions)

UPSIDE-DOWN VIEW (int. dimensions)



INSIDE WALL DIMENSIONS



Coating (Int): Coating (Ext):	Seam Up: Tongue Seam Dn: n/a	Wall Thickness: 5" Floor Height: 6"	Height (Int): 44" Height (Ext): 50"	Weight (Net): 3855 lb Volume (Net): 0.98cu.yd
----------------------------------	---------------------------------	----------------------------------------	----------------------------------------	--------------------------------------------------