

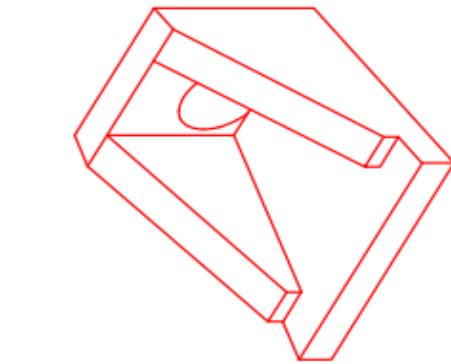


Structure ID: C0

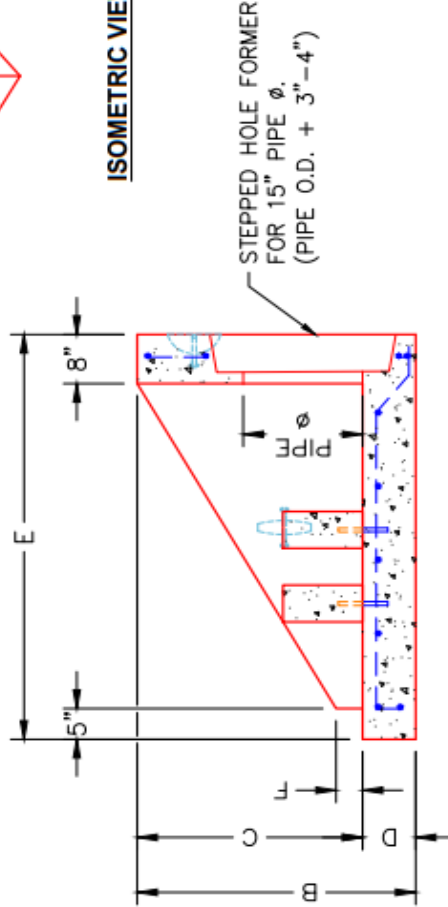
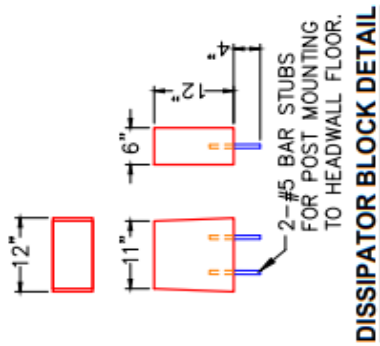
P1 HWSF24FD

24" - HW SLOPED & FLARED w/FLAT BOTTOM/DISSIPATORS F/F

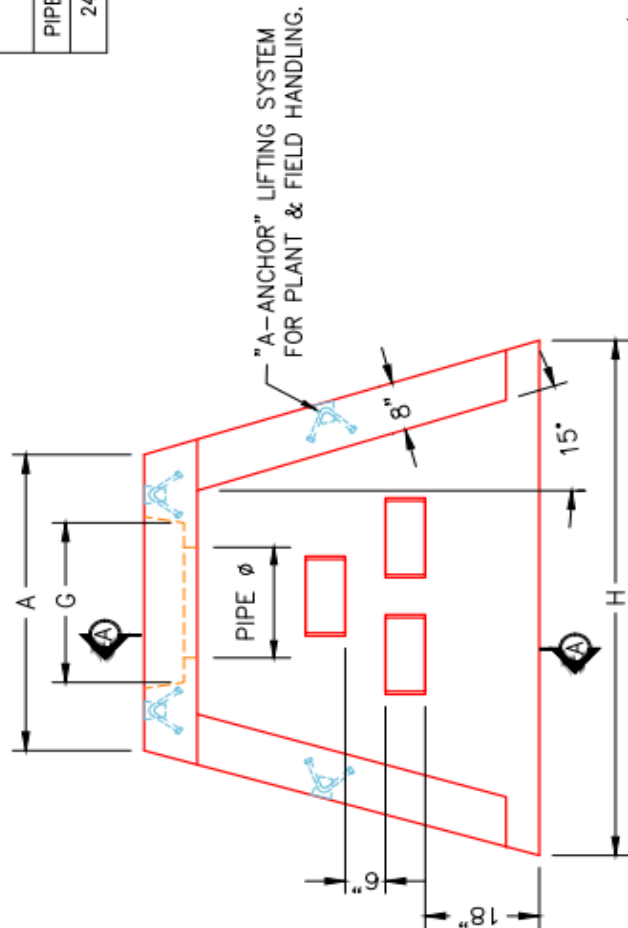
DIMENSIONS									
PIPE ϕ	A	B	C	D	E	F	G	H	WEIGHT
24"	3'-6"	4'-4"	2'-10"	8"	5'-0"	4"	2'-10"	6'-0"	.3,711 LBS.



ISOMETRIC VIEW

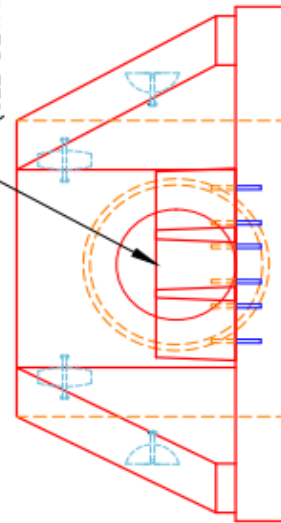


SECTION A-A



PLAN VIEW

12"X12"X6" ENERGY DISSIPATOR BLOCKS (SEE DETAIL).



FRONT ELEVATION

NOTES:

1. CONCRETE: KYTC APPROVED.
2. REINFORCING: #4 BAR @ 12" C/C E.W. - GRADE 60, (WITH 2" CONCRETE COVER, MINIMUM)
3. REINFORCING BARS TO BE TACK WELDED OR TIED.
4. PIPE AND LIFTING ANCHOR POCKETS TO BE GROUTED WITH KYTC APPROVED NON-SHRINK GROUT.
5. DRAWING TO BE USED IN CONJUNCTION WITH KYTC STD. DRAWING RDH-020-03 AND THE STANDARD SPECIFICATIONS FOR ROAD AND BRIDGE CONSTRUCTION.
6. 3/8" CHAMFER ON ALL EXPOSED EDGES.
7. PREFORMED STEPPED HOLE SIZED AS PER O.D. OF PIPE + 3" - 4".



INFRASTRUCTURE PRECAST, INC.
 581 WEST 7TH ST., BEAVER DAM, KY. 42320
 PHONE: (270) 363-2238, FAX: (270) 298-7424

KYTC 24" SLOPED & FLARED HEADWALL W/ FLAT BOTTOM AND DISSIPATORS	
DRAWING NO.: HWSF24FD	DATE: 1-19-26
REVIEWED BY: J.H. ROSS, PE	DRAWN BY: J. COPPAGE
WEB: WWW.CASTINC.COM	SCALE: NTS