

Job Name: 26-1077 - Westside Markets of Greensboro Village
Job Location: Gallatin, TN
Contractor: Cleary Construction, Inc.

PC: C. Goff
 TECH: J. Coppage - F
 Plant: 100



Structure ID: **A8**
 Spec: Storm
 Type: STM.MH
 Size: 60"

Rim: 501.6'
 Invert: 493.13'
 Rim to Invert: 8.47'

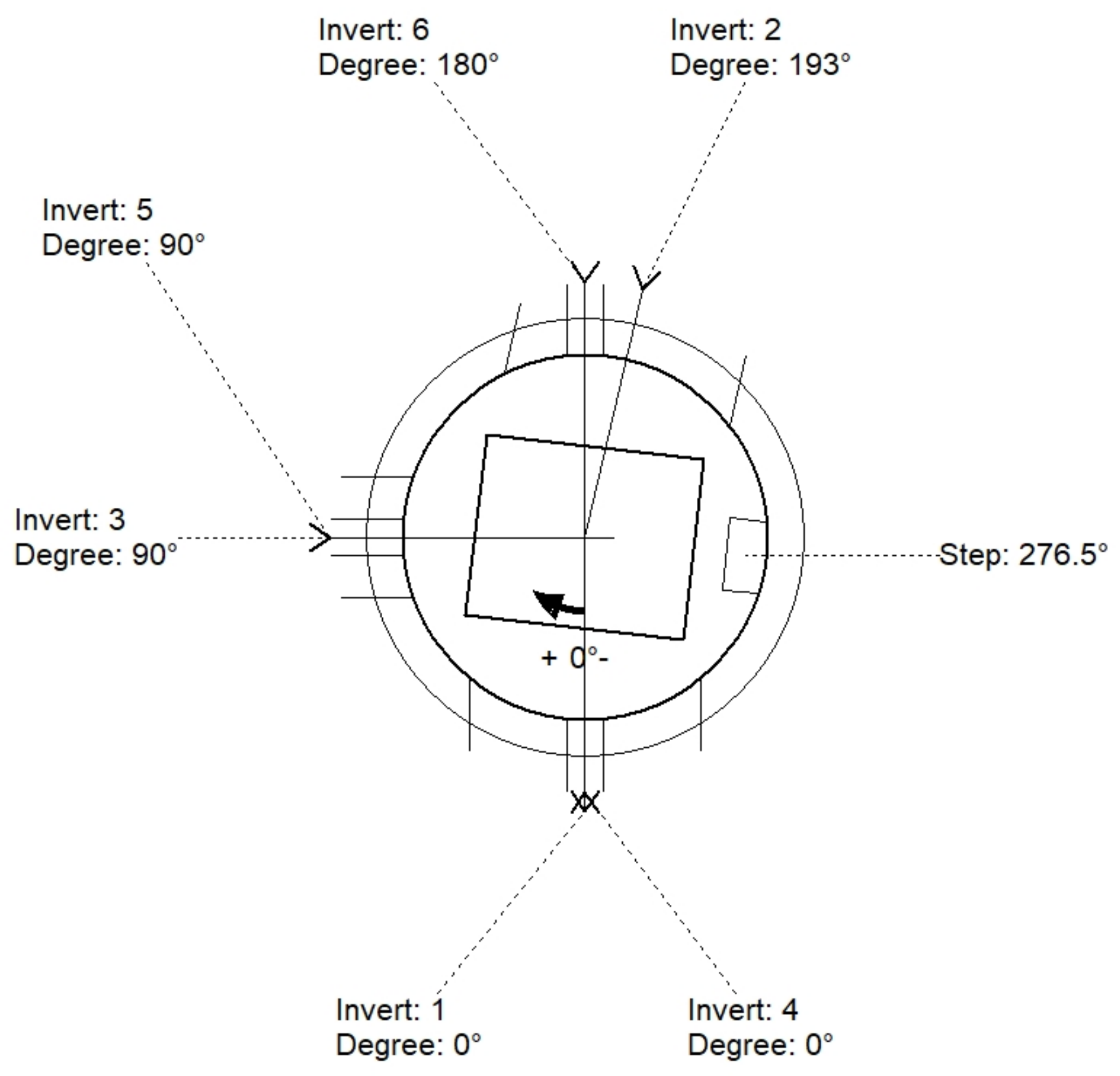
Sump: 2.55"
 Floor (Top): 492.918'
 Floor Height: 8"

Floor (Bot): 492.251'
 Overall Height: 9.292'
 Slack: 0.69"

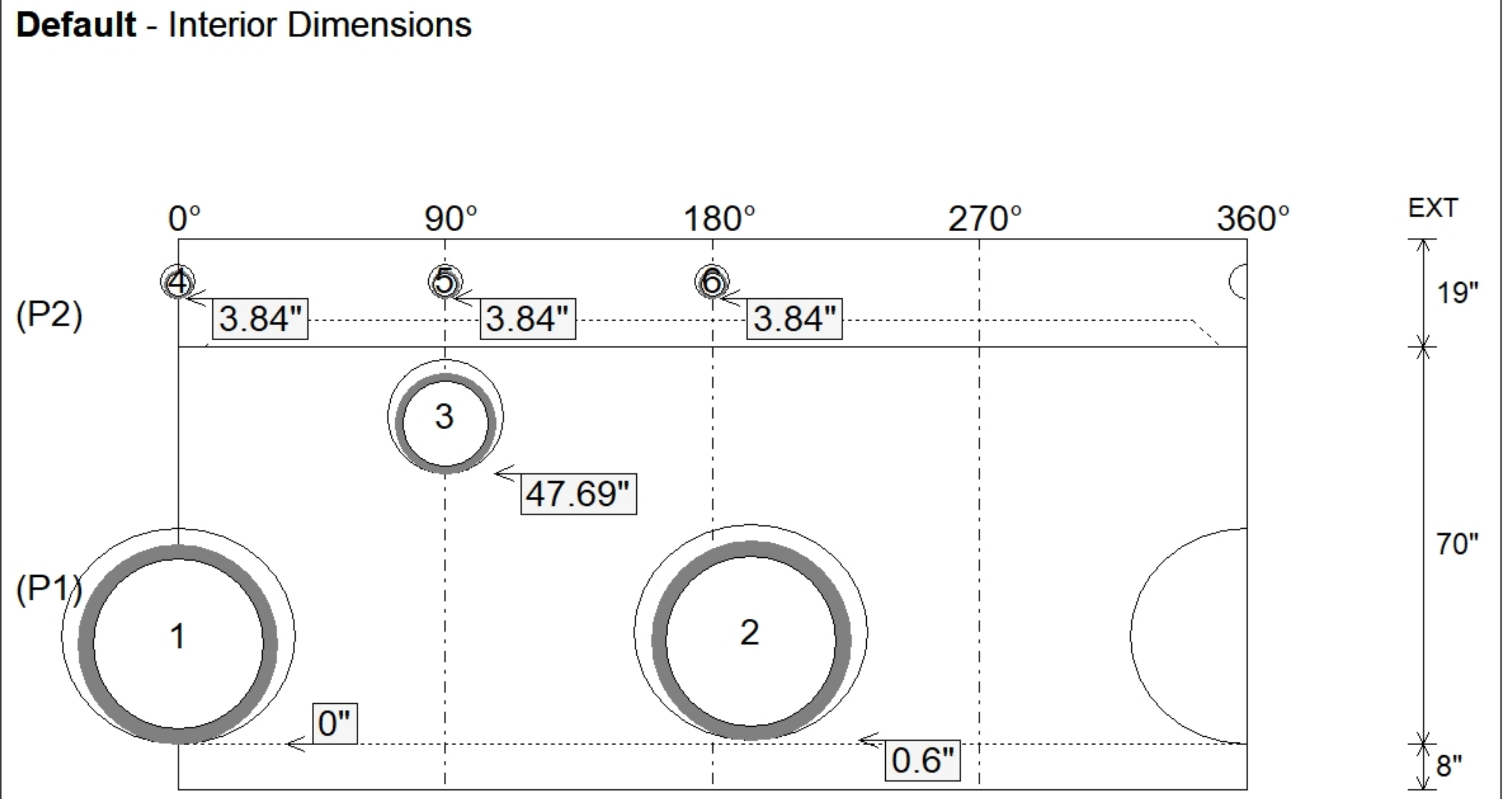
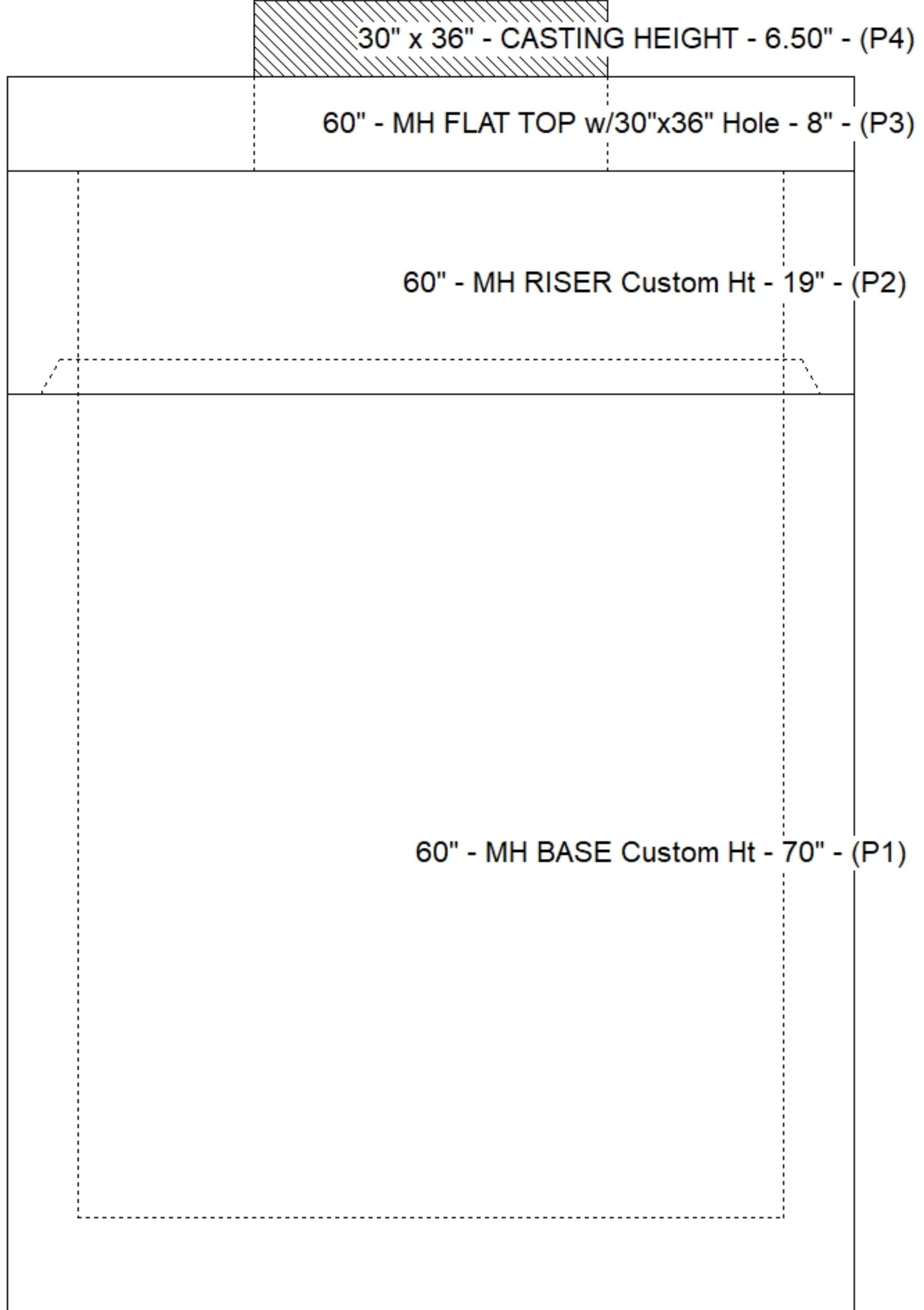
Structure Notes:
 1. PER ASTM C478 SPECIFICATIONS.
 2. CONCRETE = 4,000 PSI AT 28 DAYS.
 3. CASTING SUPPLIED BY OTHERS (JBS 2064 F/G/H - SINGLE CURB INLET).
 REINFORCING PER ASTM A615 (GRADE 60).
 - TOP SLAB (As .62) #5 BARS AT 6" C.C.E.W..
 - RISER/WALLS (As .18)
 - FLOOR (As .37) #5 BARS AT 10" C.C.E.W.

STRUCTURE SUMMARY:

| | |
|--|-----------------|
| P4) 30" x 36" - CASTING HEIGHT - 6.50" | 0 lb |
| P3) 60" - MH FLAT TOP w/30"x36" Hole - 8" | 2008 lb |
| P2) 60" - MH RISER Custom Ht - 19" | 1941 lb |
| P1) 60" - MH BASE Custom Ht - 70" | 8660 lb |
| 1) 60" - STORM INVERT CHANNEL - 1/4 HEIGHT | 1700 lb |
| 2) 60" - Conseal CS-102 1.00" | 0 lb |
| 2) Hole - 38 | 0 lb |
| 1) Hole - 20 | 0 lb |
| 3) Hole - 6 | 0 lb |
| 6) MH Step ML-10-TDS-NCR - 10" | 0 lb |
| Structure Total: | 14309 lb |



| Position | Elev | Angle | Pipe | Pipe OD | Hole | Connector | Up () | Ref |
|----------|---------|-------|---------------------|---------|------|-----------|--------|-----|
| Rim | 501.6' | | | | | | | |
| Reducer | | | | | | | | |
| Invert 1 | 493.13' | 0° | 30" HDPE | 35.1" | 38" | Hole 38 | 0" | P1 |
| Invert 2 | 493.18' | 193° | 30" HDPE | 35.1" | 38" | Hole 38 | 0.6" | P1 |
| Invert 3 | 497' | 90° | 15" HDPE | 17.6" | 20" | Hole 20 | 47.69" | P1 |
| Invert 4 | 499.5' | 0° | 4" HDPE (perf pipe) | 4.8" | 6" | Hole 6 | 3.84" | P2 |
| Invert 5 | 499.5' | 90° | 4" HDPE (perf pipe) | 4.8" | 6" | Hole 6 | 3.84" | P2 |
| Invert 6 | 499.5' | 180° | 4" HDPE (perf pipe) | 4.8" | 6" | Hole 6 | 3.84" | P2 |
| Invert 7 | | | | | | | | |
| Invert 8 | | | | | | | | |



Submittal Drawing
 4/2/2026 3:00:03 PM

SUBMITTAL
 APPROVED BY: