

Job Name: 26-1077 - Westside Markets of Greensboro Village
 Job Location: Gallatin, TN
 Contractor: Cleary Construction, Inc.

Plant: 100

Tech: J. Horsley - F

3/27/2026 4:34:48 PM

PC: C. Goff

Structure ID: A8

P3 MH060LD08SP

MH FLAT TOP w/30"x36" Hole F/F

- P4) 30" x 36" - CASTING HEIGHT - 6.50"
- P3) 60" - MH FLAT TOP w/30"x36" Hole F/F - 8"
- P2) 60" - MH RISER Custom Ht F/G - 19"
- P1) 60" - MH BASE Custom Ht T/n - 70"
- 1) 60" - STORM INVERT CHANNEL - 1/4 HEIGHT
- 2) 60" - Conseal CS-102 1.00"
- 2) Hole - 38
- 1) Hole - 20
- 3) Hole - 6
- 6) MH Step ML-10-TDS-NCR - 10"

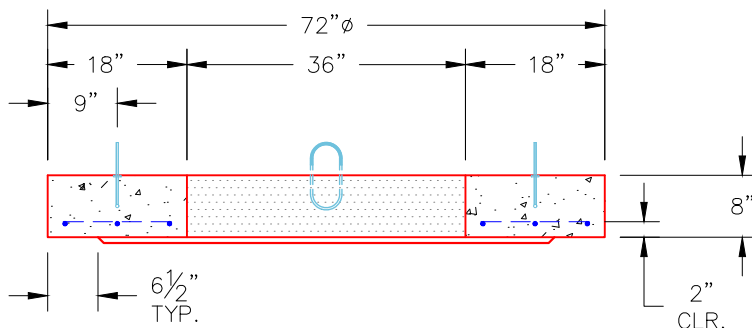
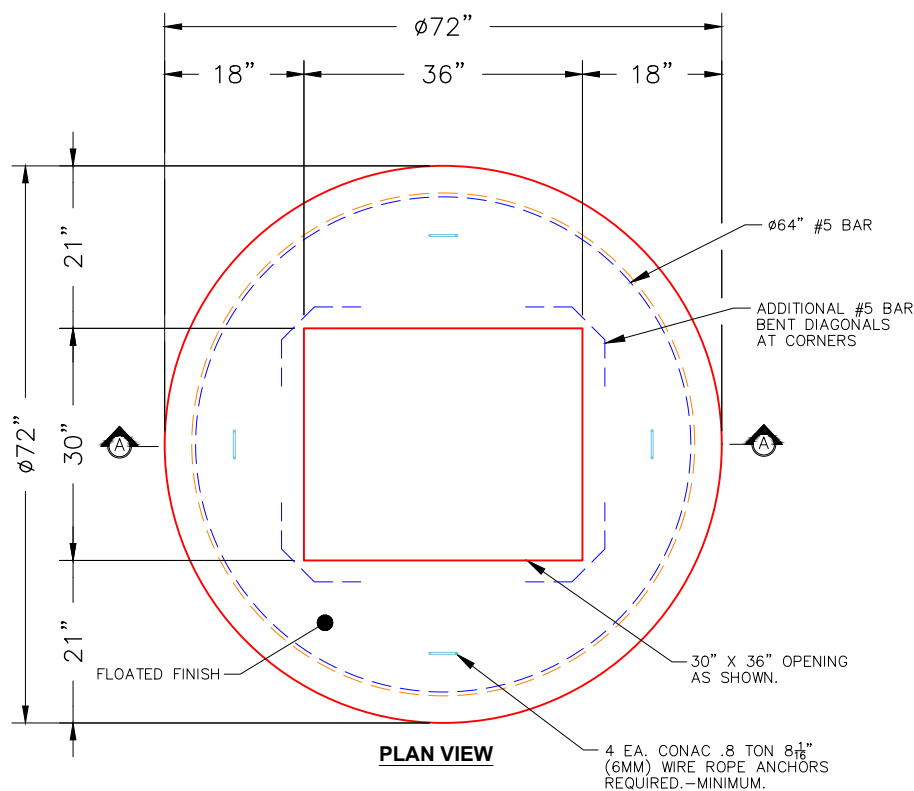
0 lb
 2008 lb
 1941 lb
 8660 lb
 1700 lb
 0 lb
 0 lb
 0 lb
 0 lb
 0 lb
 0 lb
 14309 lb

Structure Total:

Structure Notes:

1. PER ASTM C478 SPECIFICATIONS.
2. CONCRETE = 4,000 PSI AT 28 DAYS.
3. CASTING SUPPLIED BY OTHERS (JBS 2064 F/G/H - SINGLE CURB INLET).

REINFORCING PER ASTM A615 (GRADE 60).
 - TOP SLAB (As .62) #5 BARS AT 6" C.C.E.W..
 - RISER/WALLS (As .18)
 - FLOOR (As .37) #5 BARS AT 10" C.C.E.W.



- NOTES:
1. MANUFACTURED TO ASTM C-478 (LATEST REVISION).
 2. CONCRETE: 4,000 PSI AT 28 DAYS.
 3. REINFORCING: #5 BAR @ 6" O.C. E.W. (GRADE 60).

Coating (Int):
 Coating (Ext):

Seam Up: Flat
 Seam Dn: Flat

Wall Thickness: 6"

Height (Ext): 8"

Weight (Net): 2008 lb
 Volume (Net): 0.51cu.yd