

Job Name: 26-1077 - Westside Markets of Greensboro Village
 Job Location: Gallatin, TN
 Contractor: Cleary Construction, Inc.

Plant: 100
 3/27/2026 4:33:37 PM

Tech: J. Horsley - F
 PC: C. Goff



Structure ID: A8

P1 MH060BAVF

MH BASE Custom Ht T/n

- P4) 30" x 36" - CASTING HEIGHT - 6.50"
- P3) 60" - MH FLAT TOP w/30"x36" Hole F/F - 8"
- P2) 60" - MH RISER Custom Ht F/G - 19"
- P1) 60" - MH BASE Custom Ht T/n - 70"
- 1) 60" - STORM INVERT CHANNEL - 1/4 HEIGHT
- 2) 60" - Conseal CS-102 1.00"
- 2) Hole - 38
- 1) Hole - 20
- 3) Hole - 6
- 6) MH Step ML-10-TDS-NCR - 10"

0 lb
 2008 lb
 1941 lb
 8660 lb
 1700 lb
 0 lb
 0 lb
 0 lb
 0 lb
 0 lb
 0 lb
 Structure Total: 14309 lb

Structure Notes:
 1. PER ASTM C478 SPECIFICATIONS.
 2. CONCRETE = 4,000 PSI AT 28 DAYS.
 3. CASTING SUPPLIED BY OTHERS (JBS 2064 F/G/H - SINGLE CURB INLET).

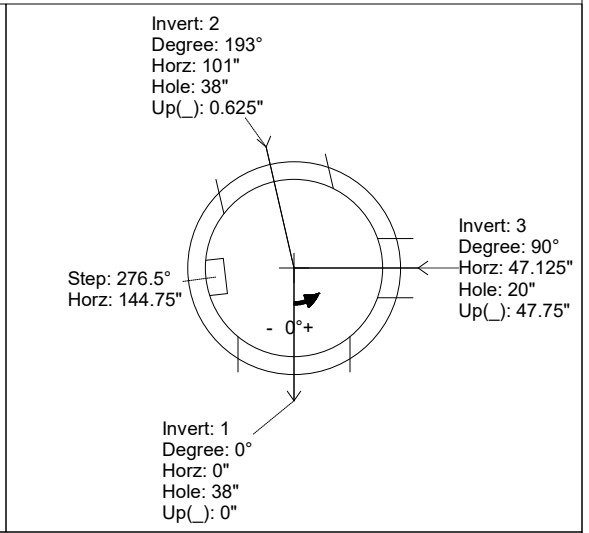
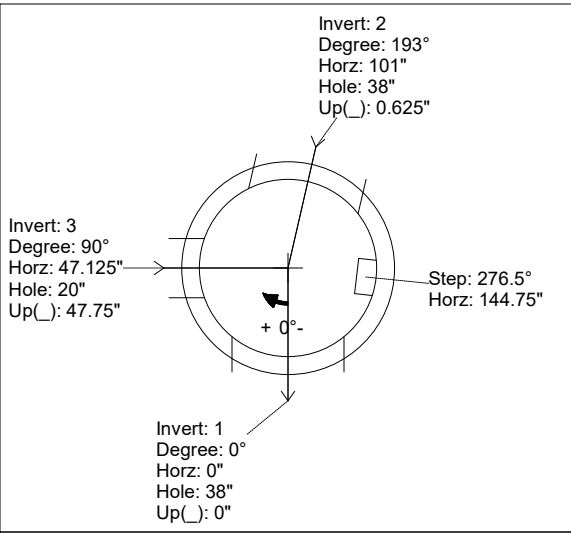
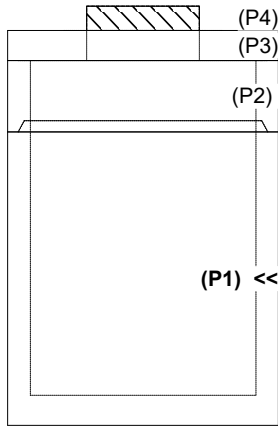
REINFORCING PER ASTM A615 (GRADE 60).
 - TOP SLAB (As .62) #5 BARS AT 6" C.C.E.W..
 - RISER/WALLS (As .18)
 - FLOOR (As .37) #5 BARS AT 10" C.C.E.W.

Rim: 501.6' Rim to Invert: 8.47' Slack: 0.69" Sump: 2.55" Step Position: 276.5°

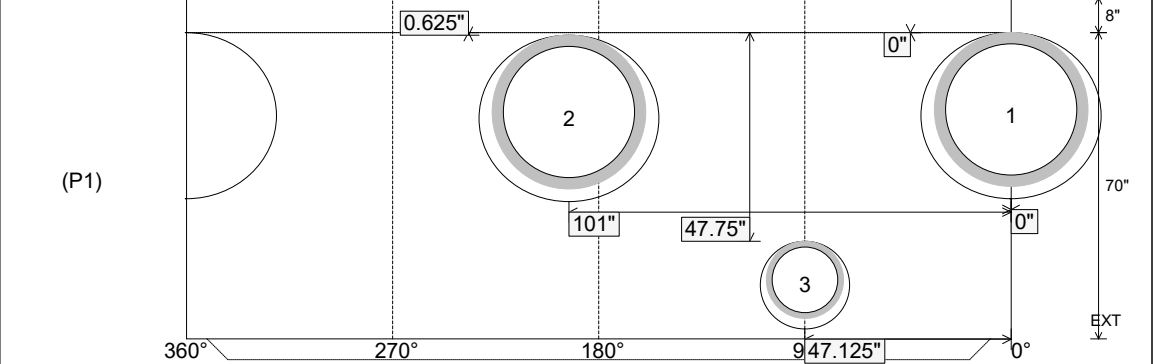
Position	Elev	Angle	Ext. (cw)	Pipe	Pipe OD	Connector	Hole	Horz Size	Up ()	Offset
Invert 1	493.13'	0°	0"	30" HDPE	35.1"	Hole 38	38"	41.151"	0"	0"
Invert 2	493.18'	193°	121.25"	30" HDPE	35.1"	Hole 38	38"	41.151"	0.625"	0"
Invert 3	497'	90°	56.5"	15" HDPE	17.6"	Hole 20	20"	20.39"	47.75"	0"
Invert 4										
Invert 5										
Invert 6										
Invert 7										
Invert 8										

RIGHT-SIDE UP VIEW (int. dimensions)

UPSIDE-DOWN VIEW (int. dimensions)



INSIDE WALL DIMENSIONS



Coating (Int):
 Coating (Ext):

Seam Up: Tongue
 Seam Dn: n/a

Wall Thickness: 6"
 Floor Height: 8"

Height (Int): 70"
 Height (Ext): 78"

Weight (Net): 8660 lb
 Volume (Net): 2.21cu.yd

Job Name: 26-1077 - Westside Markets of Greensboro Village
 Job Location: Gallatin, TN
 Contractor: Cleary Construction, Inc.

Plant: 100
 3/27/2026 4:33:37 PM

Tech: J. Horsley - F
 PC: C. Goff



Structure ID: A8

P1 MH060BAVF

MH BASE Custom Ht T/n

- P4) 30" x 36" - CASTING HEIGHT - 6.50"
- P3) 60" - MH FLAT TOP w/30"x36" Hole F/F - 8"
- P2) 60" - MH RISER Custom Ht F/G - 19"
- P1) 60" - MH BASE Custom Ht T/n - 70"
- 1) 60" - STORM INVERT CHANNEL - 1/4 HEIGHT
- 2) 60" - Conseal CS-102 1.00"
- 2) Hole - 38
- 1) Hole - 20
- 3) Hole - 6
- 6) MH Step ML-10-TDS-NCR - 10"

0 lb
 2008 lb
 1941 lb
 8660 lb
 1700 lb
 0 lb
 0 lb
 0 lb
 0 lb
 0 lb
 0 lb
 Structure Total: 14309 lb

Structure Notes:
 1. PER ASTM C478 SPECIFICATIONS.
 2. CONCRETE = 4,000 PSI AT 28 DAYS.
 3. CASTING SUPPLIED BY OTHERS (JBS 2064 F/G/H - SINGLE CURB INLET).

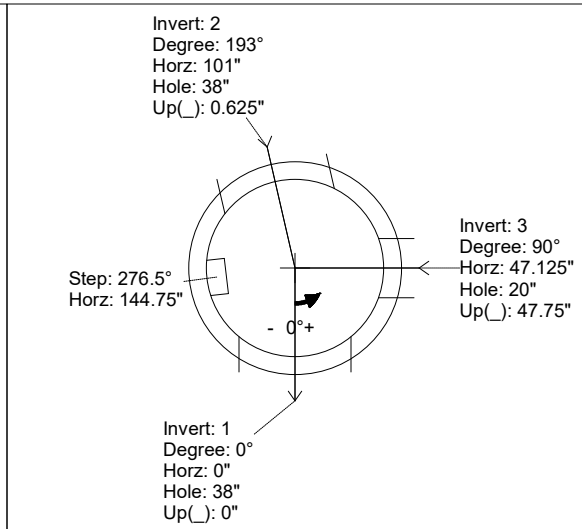
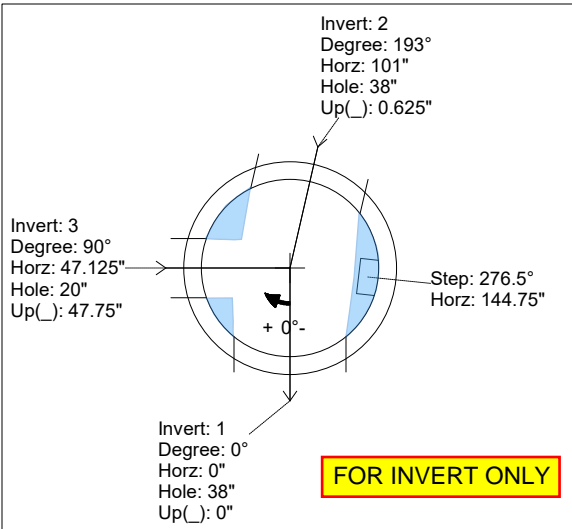
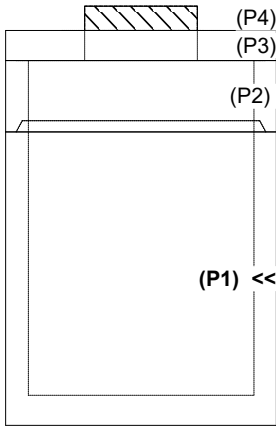
REINFORCING PER ASTM A615 (GRADE 60).
 - TOP SLAB (As .62) #5 BARS AT 6" C.C.E.W..
 - RISER/WALLS (As .18)
 - FLOOR (As .37) #5 BARS AT 10" C.C.E.W.

Rim: 501.6' Rim to Invert: 8.47' Slack: 0.69" Sump: 2.55" Step Position: 276.5°

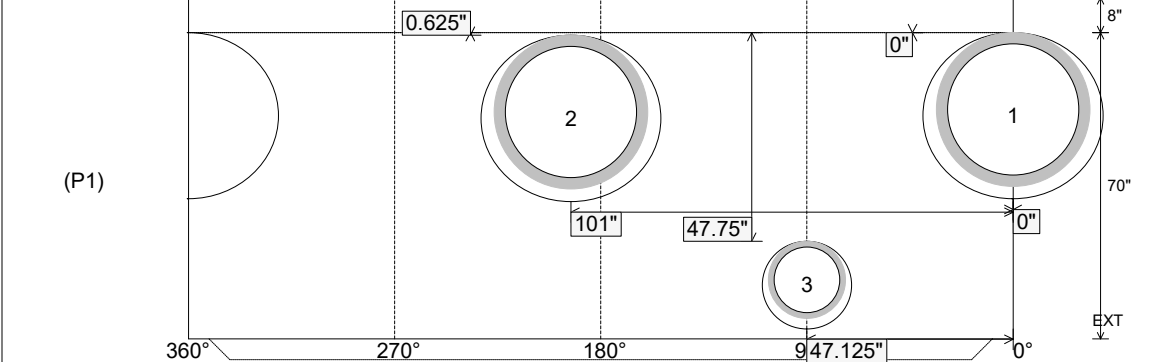
Position	Elev	Angle	Ext. (cw)	Pipe	Pipe OD	Connector	Hole	Horz Size	Up ()	Offset
Invert 1	493.13'	0°	0"	30" HDPE	35.1"	Hole 38	38"	41.151"	0"	0"
Invert 2	493.18'	193°	121.25"	30" HDPE	35.1"	Hole 38	38"	41.151"	0.625"	0"
Invert 3	497'	90°	56.5"	15" HDPE	17.6"	Hole 20	20"	20.39"	47.75"	0"
Invert 4										
Invert 5										
Invert 6										
Invert 7										
Invert 8										

RIGHT-SIDE UP VIEW (int. dimensions)

UPSIDE-DOWN VIEW (int. dimensions)



INSIDE WALL DIMENSIONS



Coating (Int): Coating (Ext):	Seam Up: Tongue Seam Dn: n/a	Wall Thickness: 6" Floor Height: 8"	Height (Int): 70" Height (Ext): 78"	Weight (Net): 8660 lb Volume (Net): 2.21cu.yd
----------------------------------	---------------------------------	--	--	--