

Job Name: 26-1077 - Westside Markets of Greensboro Village
Job Location: Gallatin, TN
Contractor: Cleary Construction, Inc.

PC: C. Goff
 TECH: J. Coppage - F
 Plant: 100



Structure ID: **A5**
 Spec: Storm
 Type: STM.MH
 Size: 60"

Rim: 500.75'
 Invert: 491.07'
 Rim to Invert: 9.68'

Sump: 2.85"
 Floor (Top): 490.833'
 Floor Height: 8"

Floor (Bot): 490.166'
 Overall Height: 10.333'
 Slack: 3.01"

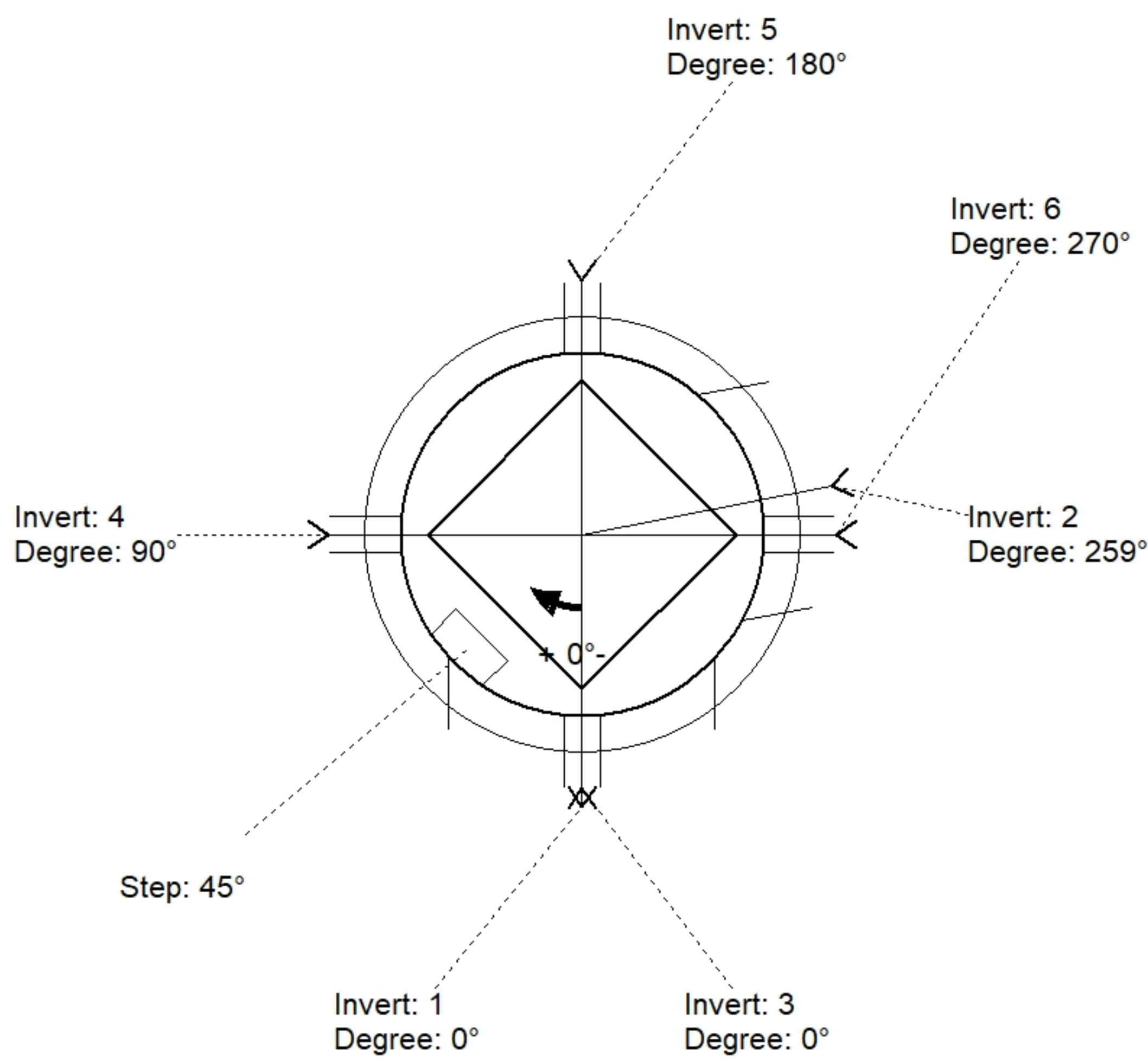
Structure Notes:

1. PER ASTM C478 SPECIFICATIONS.
2. CONCRETE = 4,000 PSI AT 28 DAYS.
3. CASTING SUPPLIED BY OTHERS (JBS 4073 F/G).

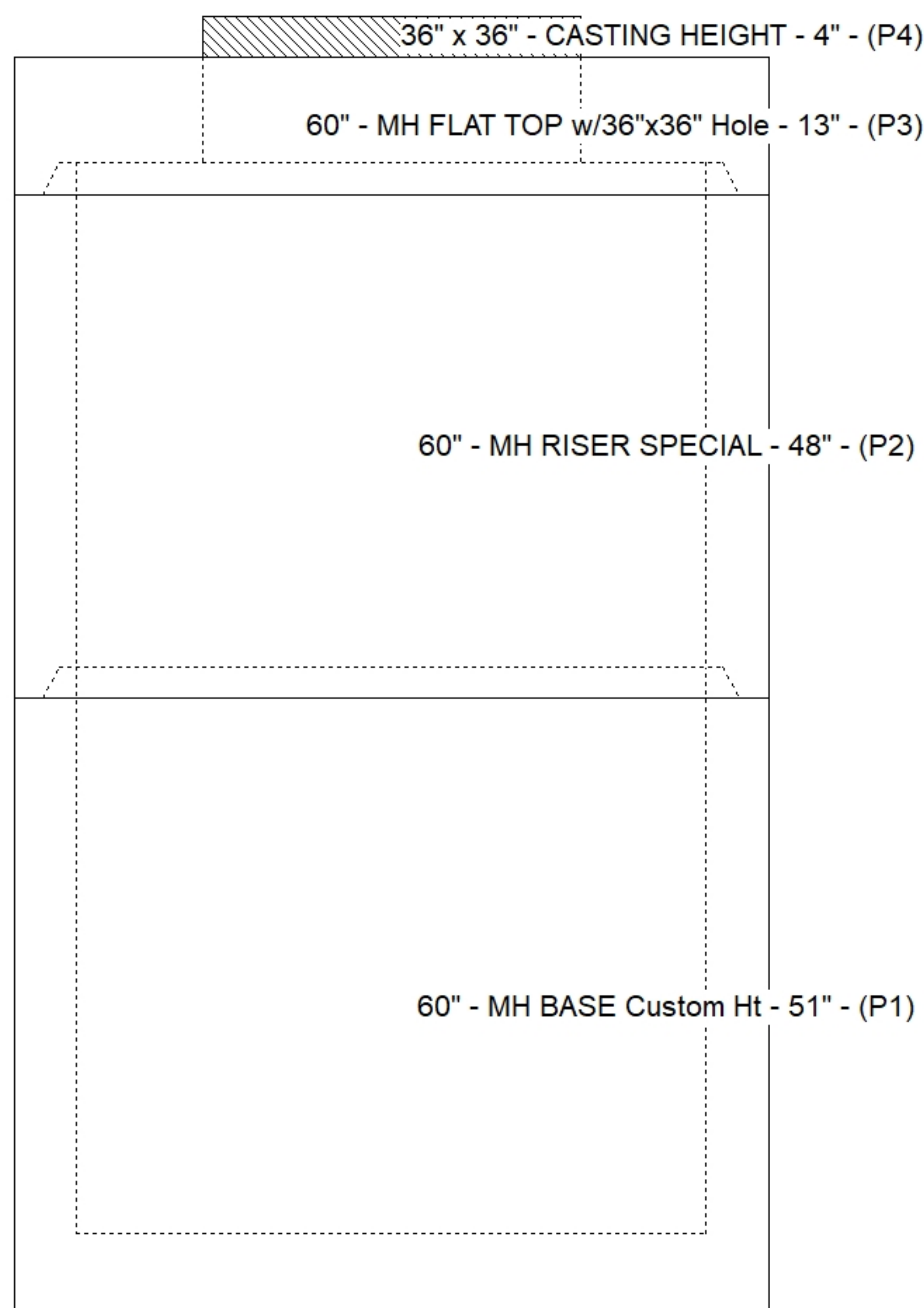
REINFORCING PER ASTM A615 (GRADE 60).
 - TOP SLAB (As .62) #5 BARS AT 6" C.C.E.W..
 - RISER/WALLS (As .18)
 - FLOOR (As .37) #5 BARS AT 10" C.C.E.W.

STRUCTURE SUMMARY:

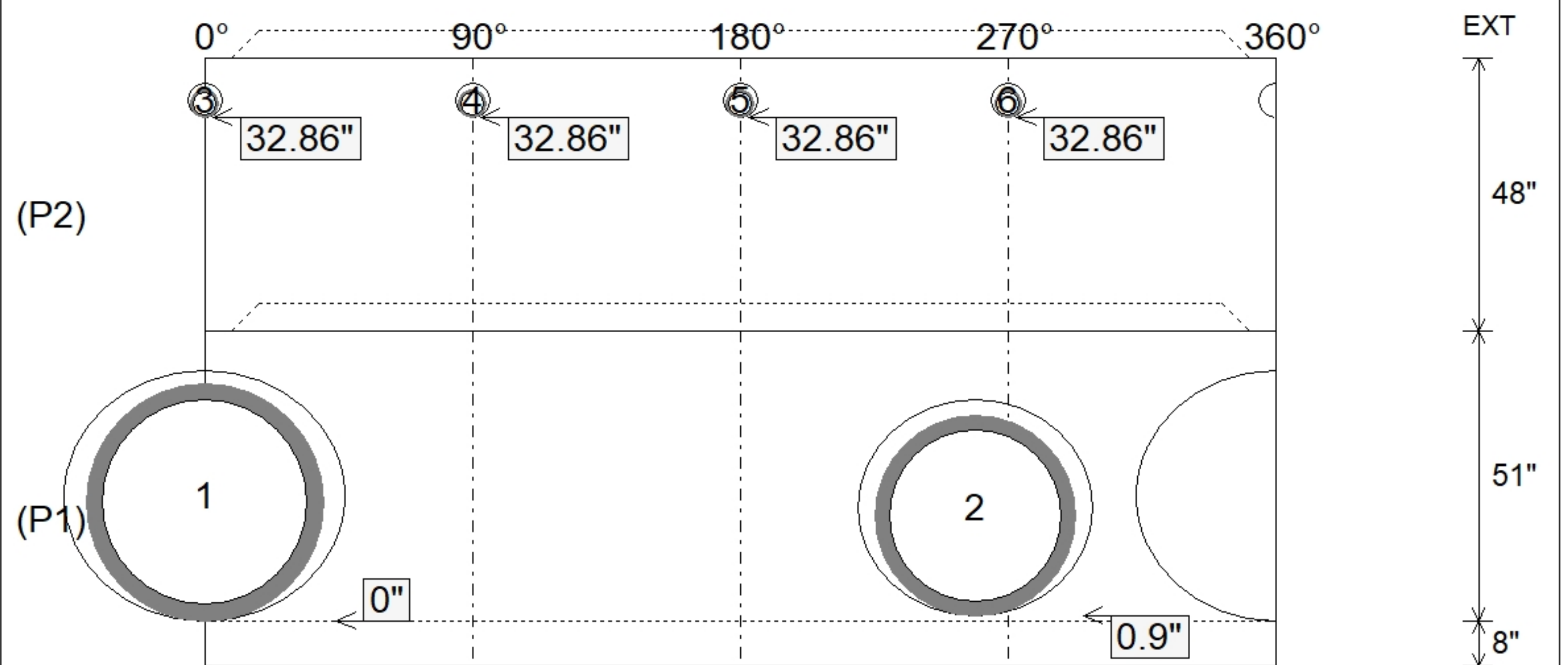
P4) 36" x 36" - CASTING HEIGHT - 4"	0 lb
P3) 60" - MH FLAT TOP w/36"x36" Hole - 13"	2134 lb
P2) 60" - MH RISER SPECIAL - 48"	4954 lb
P1) 60" - MH BASE Custom Ht - 51"	6606 lb
1) 60" - STORM INVERT CHANNEL - 1/4 HEIGHT	1700 lb
2) 60" - Conseal CS-102 1.00"	0 lb
1) 36" x 36" - Conseal CS-102 1.00"	0 lb
1) Hole - 44	0 lb
1) Hole - 38	0 lb
4) Hole - 6	0 lb
8) MH Step ML-10-TDS-NCR - 10"	0 lb
Structure Total:	15393 lb



Position	Elev	Angle	Pipe	Pipe OD	Hole	Connector	Up ()	Ref
Rim	500.75'							
Reducer								
Invert 1	491.07'	0°	36" HDPE	41.7"	44"	Hole 44	0"	P1
Invert 2	491.12'	259°	30" HDPE	35.1"	38"	Hole 38	0.9"	P1
Invert 3	498.25'	0°	4" HDPE (perf pipe)	4.8"	6"	Hole 6	32.86"	P2
Invert 4	498.25'	90°	4" HDPE (perf pipe)	4.8"	6"	Hole 6	32.86"	P2
Invert 5	498.25'	180°	4" HDPE (perf pipe)	4.8"	6"	Hole 6	32.86"	P2
Invert 6	498.25'	270°	4" HDPE (perf pipe)	4.8"	6"	Hole 6	32.86"	P2
Invert 7								
Invert 8								



Default - Interior Dimensions



Submittal Drawing
 4/2/2026 3:00:00 PM

SUBMITTAL
 APPROVED BY: