

**Job Name: 26-1077 - Westside Markets of Greensboro Village**  
**Job Location: Gallatin, TN**  
**Contractor: Cleary Construction, Inc.**

PC: C. Goff  
 TECH: J. Coppage - F  
 Plant: 100



Structure ID: **A4**  
 Spec: Storm  
 Type: STM.MH Transition  
 Size: 60"

Rim: 502.65'  
 Invert: 490.15'  
 Rim to Invert: 12.5'

Sump: 2.85"  
 Floor (Top): 489.913'  
 Floor Height: 8"

Floor (Bot): 489.246'  
 Overall Height: 13.333'  
 Slack: 0.85"

**Structure Notes:**

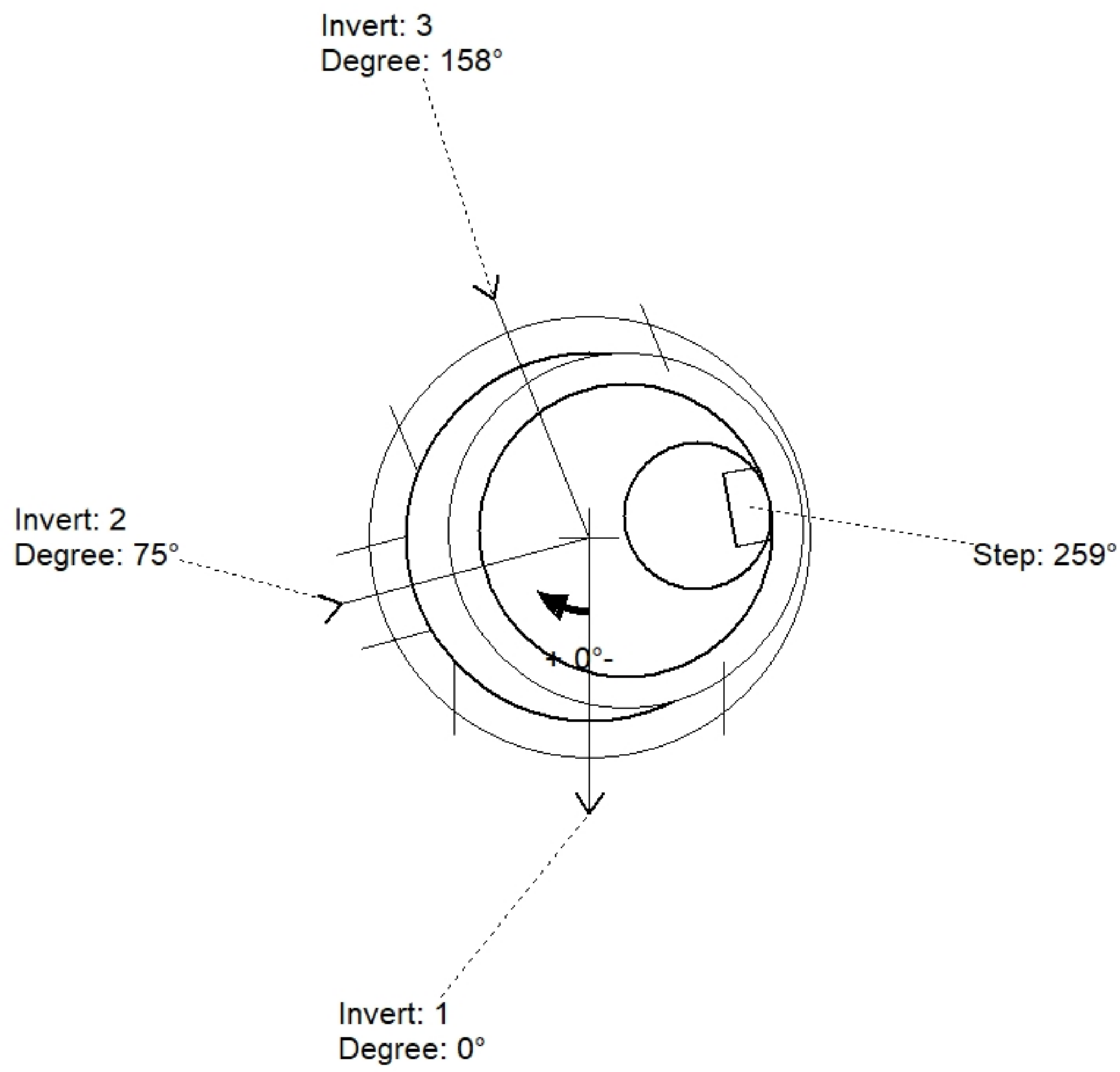
- PER ASTM C478 SPECIFICATIONS.
- CONCRETE = 4,000 PSI AT 28 DAYS.
- CASTING SUPPLIED BY OTHERS (JBS 1150 F/C STORM).

**REINFORCING PER ASTM A615 (GRADE 60).**

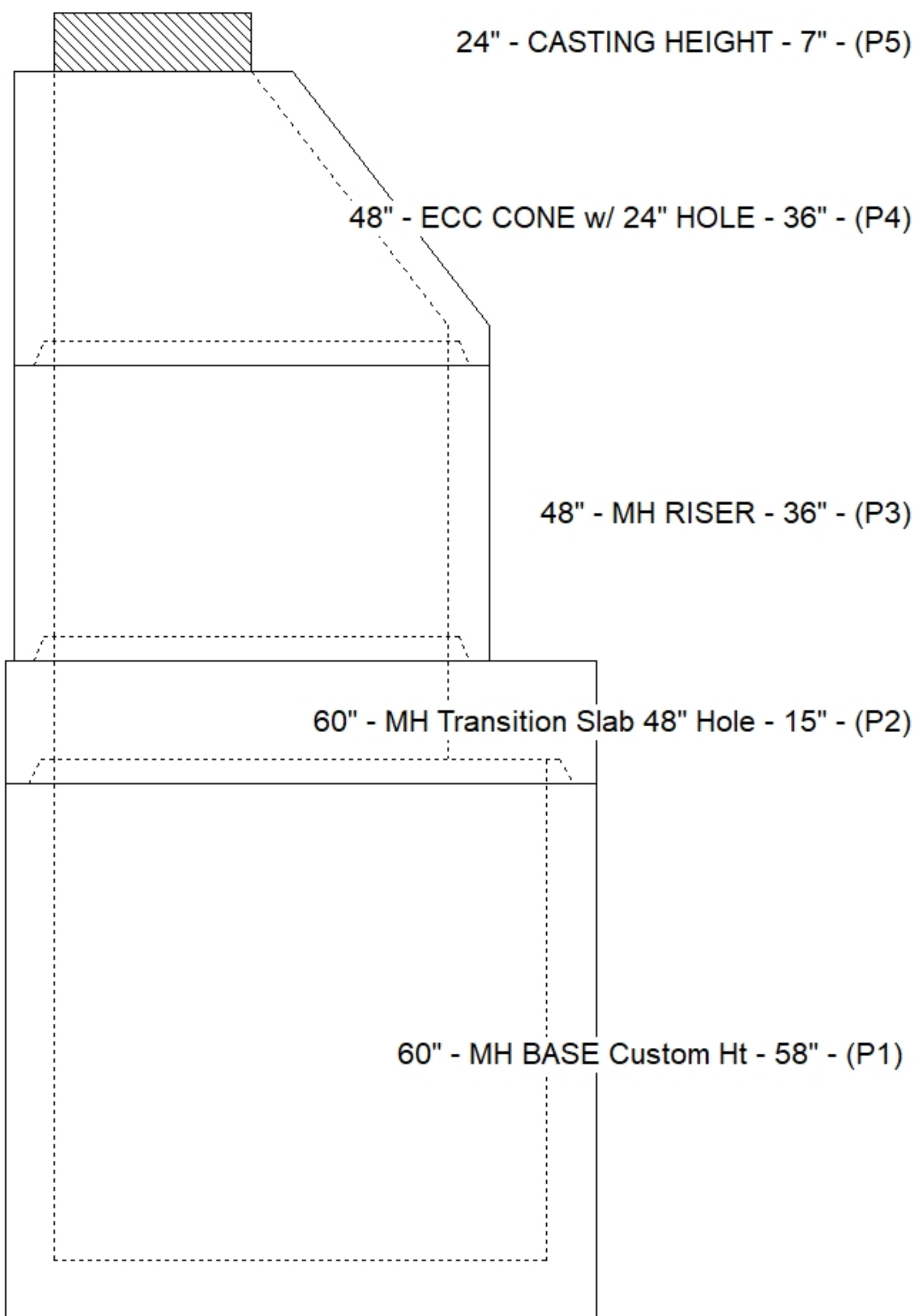
- CONE (As .12)
- RISER/WALLS (As .12)
- TRANS. SLAB (As .62) #5 BARS AT 6" C.C.E.W..
- RISER/WALLS (As .18)
- FLOOR (As .37) #5 BARS AT 10" C.C.E.W.

**STRUCTURE SUMMARY:**

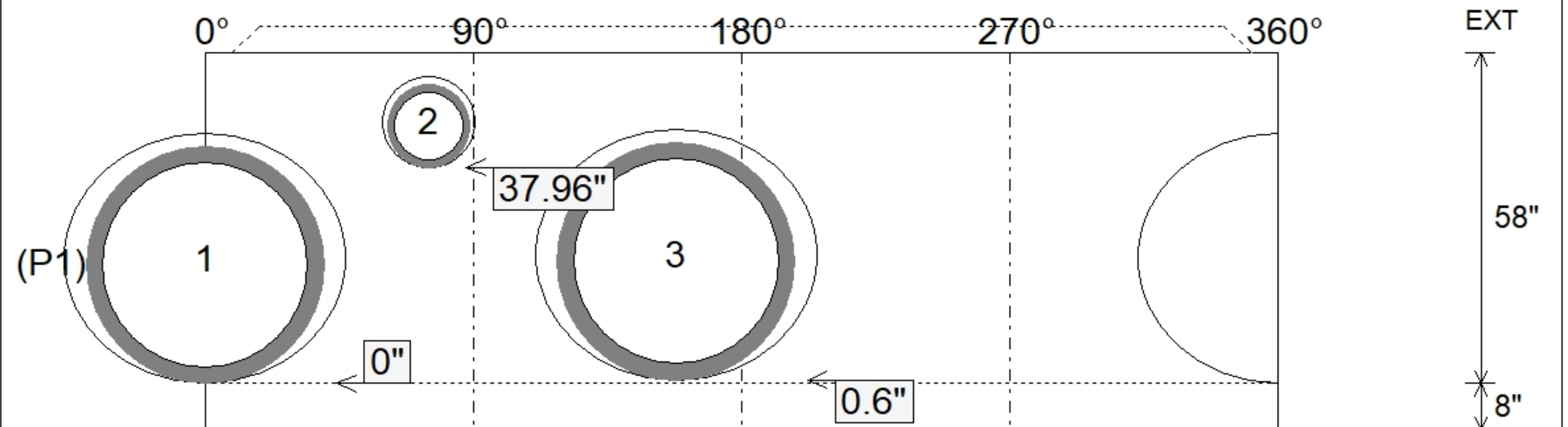
P5) 24" - CASTING HEIGHT - 7"	0 lb
P4) 48" - ECC CONE w/ 24" HOLE - 36"	3000 lb
P3) 48" - MH RISER - 36"	2515 lb
P2) 60" - MH Transition Slab 48" Hole - 15"	2204 lb
P1) 60" - MH BASE Custom Ht - 58"	7003 lb
1) 60" - STORM INVERT CHANNEL - 1/4 HEIGHT	1700 lb
1) 60" - Conseal CS-102 1.00"	0 lb
2) 48" - Conseal CS-102 1.00"	0 lb
2) Hole - 44	0 lb
1) Hole - 16	0 lb
11) MH Step ML-10-TDS-NCR - 10"	0 lb
<b>Structure Total:</b>	<b>16422 lb</b>



Position	Elev	Angle	Pipe	Pipe OD	Hole	Connector	Up (")	Ref
Rim	502.65'							
Reducer	494.746'							
Invert 1	490.15'	0°	36" HDPE	41.7"	44"	Hole 44	0"	P1
Invert 2	493.18'	75°	12" HDPE	14.5"	16"	Hole 16	37.96"	P1
Invert 3	490.2'	158°	36" HDPE	41.7"	44"	Hole 44	0.6"	P1
Invert 4								
Invert 5								
Invert 6								
Invert 7								
Invert 8								



**Default - Interior Dimensions**



Submittal Drawing  
 4/2/2026 2:59:59 PM

SUBMITTAL  
 APPROVED BY: