

**Job Name: 26-1077 - Westside Markets of Greensboro Village**  
**Job Location: Gallatin, TN**  
**Contractor: Cleary Construction, Inc.**

PC: C. Goff  
 TECH: J. Coppage - F  
 Plant: 100



Structure ID: A3  
 Spec: Storm  
 Type: STM.MH  
 Size: 60"

Rim: 501.1'  
 Invert: 489.46'  
 Rim to Invert: 11.64'

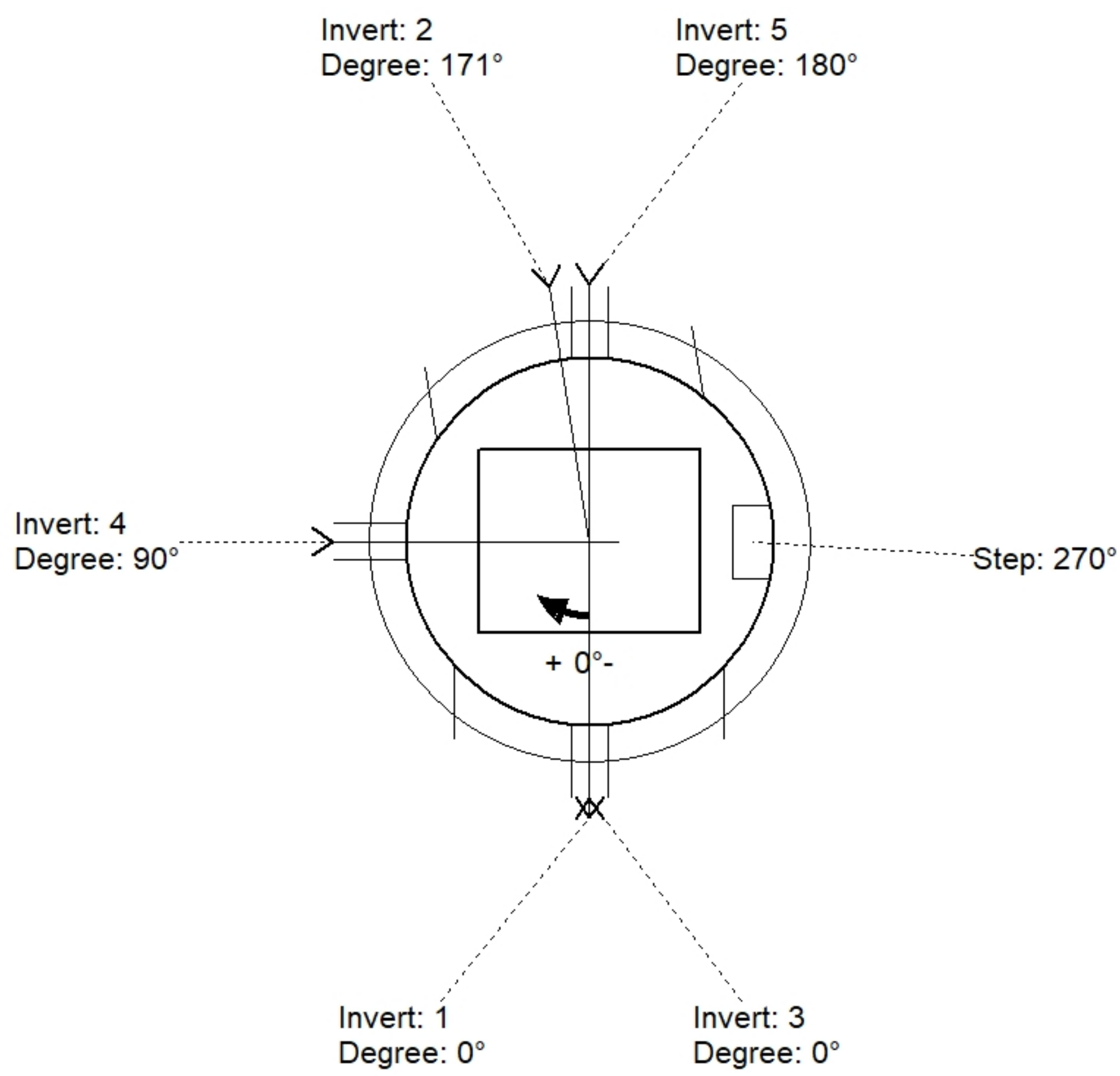
Sump: 2.85"  
 Floor (Top): 489.223'  
 Floor Height: 8"

Floor (Bot): 488.556'  
 Overall Height: 12.292'  
 Slack: 3.03"

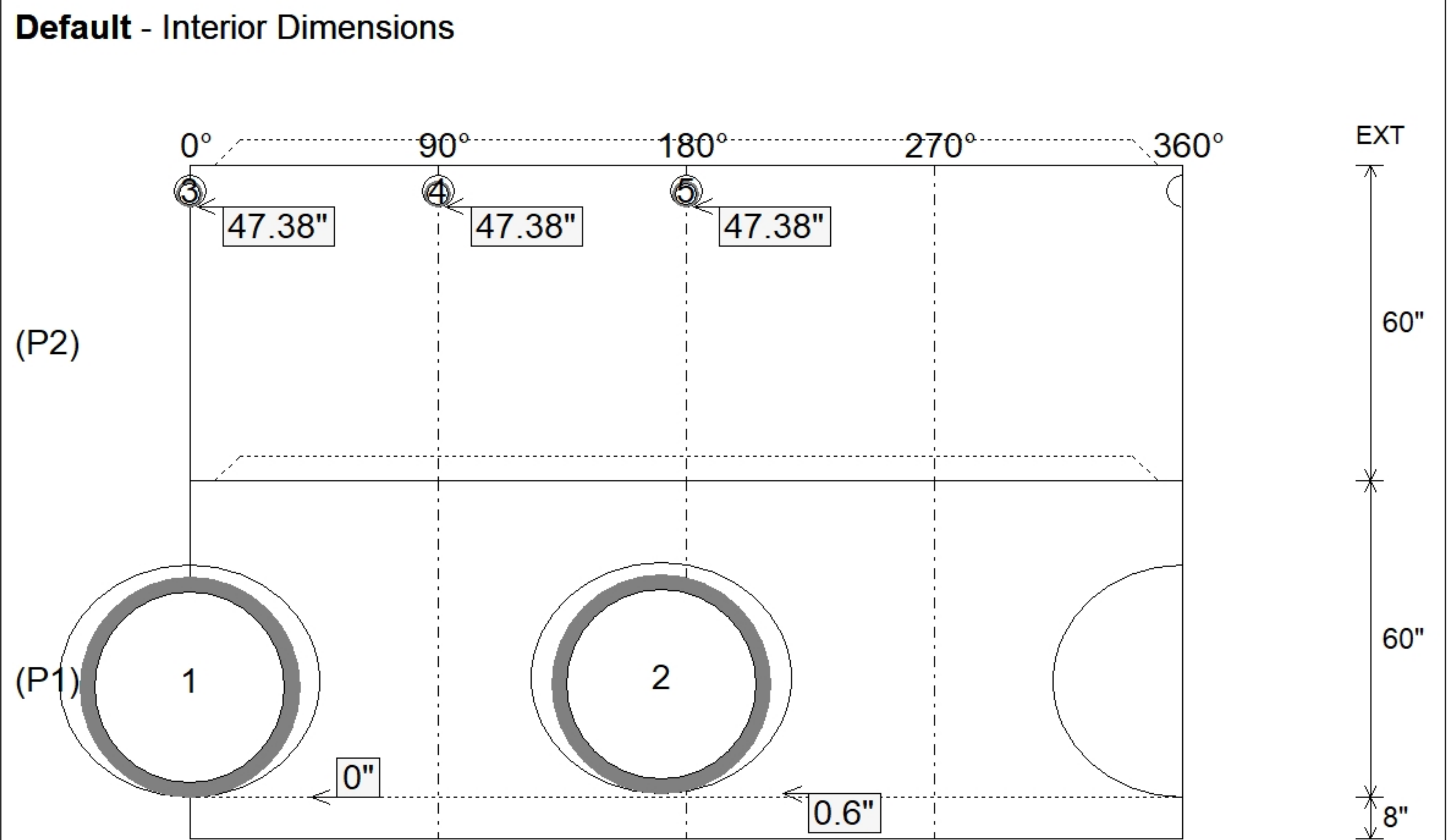
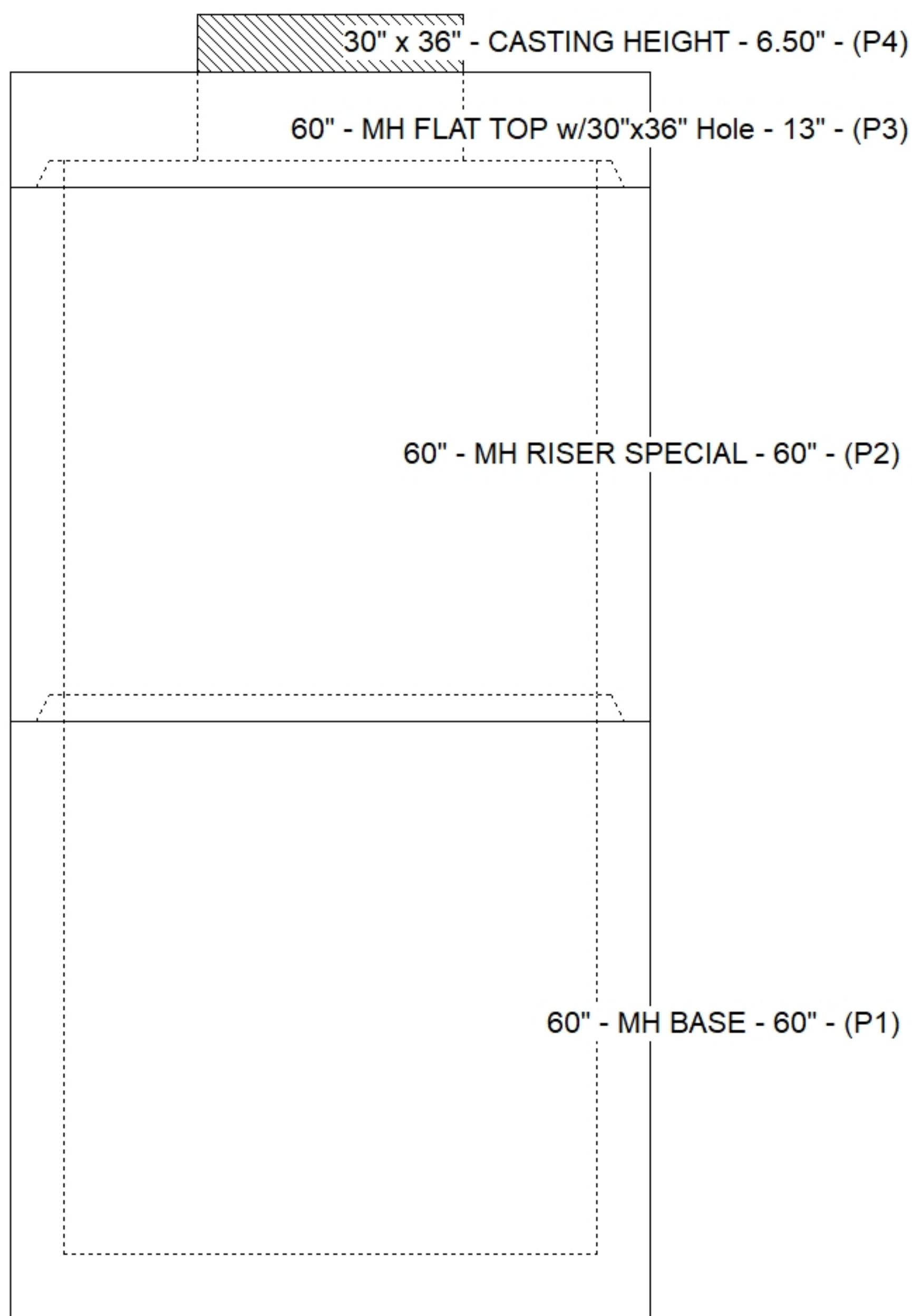
**Structure Notes:**  
 1. PER ASTM C478 SPECIFICATIONS.  
 2. CONCRETE = 4,000 PSI AT 28 DAYS.  
 3. CASTING SUPPLIED BY OTHERS (JBS 2064 F/G/H - SINGLE CURB INLET).  
 REINFORCING PER ASTM A615 (GRADE 60).  
 - TOP SLAB (As .62) #5 BARS AT 6" C.C.E.W..  
 - RISER/WALLS (As .18)  
 - FLOOR (As .37) #5 BARS AT 10" C.C.E.W.

**STRUCTURE SUMMARY:**

P4) 30" x 36" - CASTING HEIGHT - 6.50"	0 lb
P3) 60" - MH FLAT TOP w/30"x36" Hole - 13"	2834 lb
P2) 60" - MH RISER SPECIAL - 60"	6221 lb
P1) 60" - MH BASE - 60"	7314 lb
1) 60" - STORM INVERT CHANNEL - 1/4 HEIGHT	1700 lb
2) 60" - Conseal CS-102 1.00"	0 lb
2) Hole - 44	0 lb
3) Hole - 6	0 lb
10) MH Step ML-10-TDS-NCR - 10"	0 lb
<b>Structure Total:</b>	<b>18069 lb</b>



Position	Elev	Angle	Pipe	Pipe OD	Hole	Connector	Up ( )	Ref
Rim	501.1'							
Reducer								
Invert 1	489.46'	0°	36" HDPE	41.7"	44"	Hole 44	0"	P1
Invert 2	489.51'	171°	36" HDPE	41.7"	44"	Hole 44	0.6"	P1
Invert 3	498.6'	0°	4" HDPE (perf pipe)	4.8"	6"	Hole 6	47.38"	P2
Invert 4	498.6'	90°	4" HDPE (perf pipe)	4.8"	6"	Hole 6	47.38"	P2
Invert 5	498.6'	180°	4" HDPE (perf pipe)	4.8"	6"	Hole 6	47.38"	P2
Invert 6								
Invert 7								
Invert 8								



Submittal Drawing  
 4/2/2026 2:59:59 PM

SUBMITTAL  
 APPROVED BY: