

Job Name: 26-1077 - Westside Markets of Greensboro Village
 Job Location: Gallatin, TN
 Contractor: Cleary Construction, Inc.

Plant: 100
 3/27/2026 4:34:09 PM

Tech: J. Horsley - F
 PC: C. Goff



Structure ID: A3

P2 MH060RS60S

MH RISER T/G

- P4) 30" x 36" - CASTING HEIGHT - 6.50"
- P3) 60" - MH FLAT TOP w/30"x36" Hole F/G - 13"
- P2) 60" - MH RISER T/G - 60"
- P1) 60" - MH BASE T/n - 60"
- 1) 60" - STORM INVERT CHANNEL - 1/4 HEIGHT
- 2) 60" - Conseal CS-102 1.00"
- 2) Hole - 44
- 3) Hole - 6
- 10) MH Step ML-10-TDS-NCR - 10"

0 lb
 2834 lb
 6221 lb
 7314 lb
 1700 lb
 0 lb
 0 lb
 0 lb
 0 lb
 0 lb
 Structure Total: 18069 lb

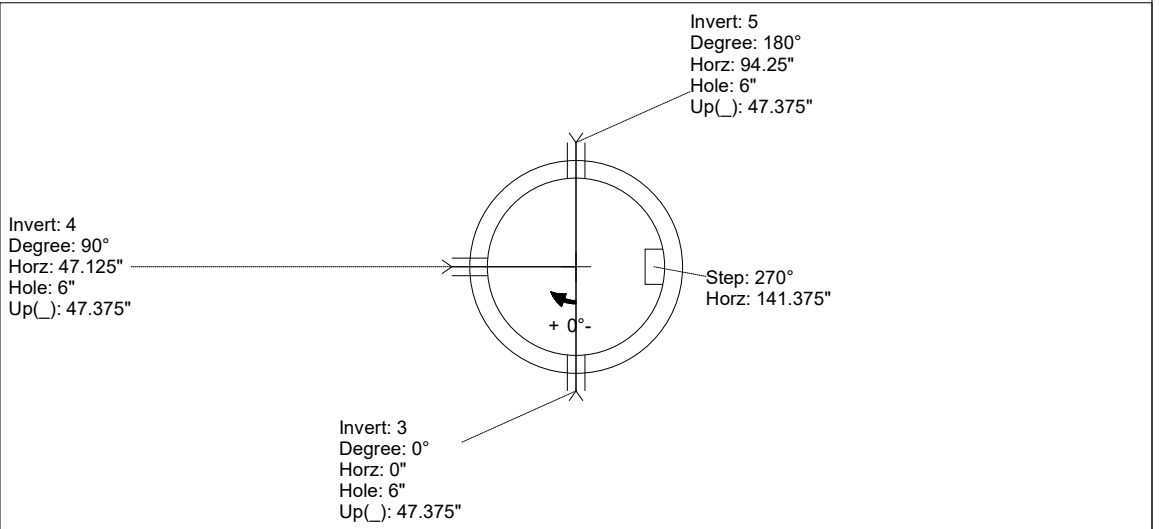
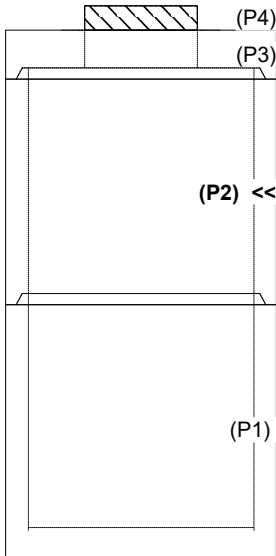
Structure Notes:
 1. PER ASTM C478 SPECIFICATIONS.
 2. CONCRETE = 4,000 PSI AT 28 DAYS.
 3. CASTING SUPPLIED BY OTHERS (JBS 2064 F/G/H - SINGLE CURB INLET).

REINFORCING PER ASTM A615 (GRADE 60).
 - TOP SLAB (As .62) #5 BARS AT 6" C.C.E.W..
 - RISER/WALLS (As .18)
 - FLOOR (As .37) #5 BARS AT 10" C.C.E.W.

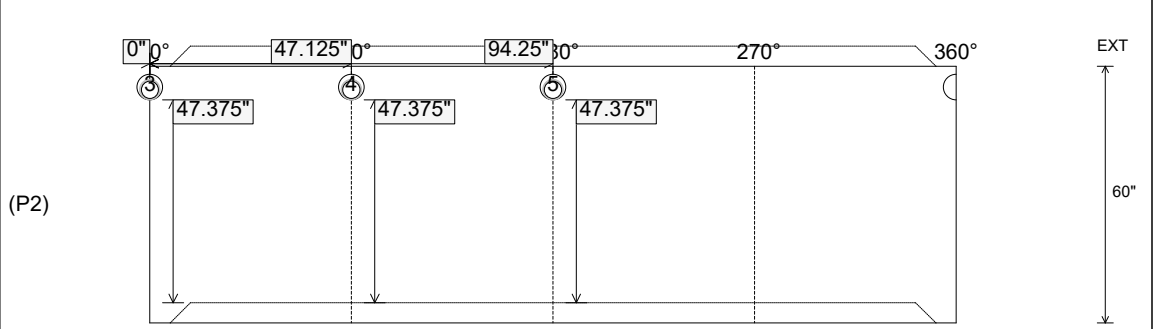
Rim: 501.1' Rim to Invert: 11.64' Slack: 3.03" Sump: 2.85" Step Position: 270°

Position	Elev	Angle	Ext. (cw)	Pipe	Pipe OD	Connector	Hole	Horz Size	Up ()	Offset
Invert 1										
Invert 2										
Invert 3	498.6'	0°	0"	4" HDPE (perf pipe)	4.8"	Hole 6	6"	6.01"	47.375"	0"
Invert 4	498.6'	90°	56.5"	4" HDPE (perf pipe)	4.8"	Hole 6	6"	6.01"	47.375"	0"
Invert 5	498.6'	180°	113.125"	4" HDPE (perf pipe)	4.8"	Hole 6	6"	6.01"	47.375"	0"
Invert 6										
Invert 7										
Invert 8										

RIGHT-SIDE UP VIEW (int. dimensions)



INSIDE WALL DIMENSIONS



Coating (Int):
 Coating (Ext):

Seam Up: Tongue
 Seam Dn: Groove

Wall Thickness: 6"
 Floor Height: 0"

Height (Int): 60"
 Height (Ext): 60"

Weight (Net): 6221 lb
 Volume (Net): 1.59cu.yd