

**Job Name: 26-1077 - Westside Markets of Greensboro Village**  
**Job Location: Gallatin, TN**  
**Contractor: Cleary Construction, Inc.**

PC: C. Goff  
 TECH: J. Coppage - F  
 Plant: 100



Structure ID: **A12**  
 Spec: Storm  
 Type: STM.MH (Recessed pipe)  
 Size: 48"

Rim: 500.9'  
 Invert: 497.4'  
 Rim to Invert: 3.5'

Sump: 1.6"  
 Floor (Top): 497.267'  
 Floor Height: 6"

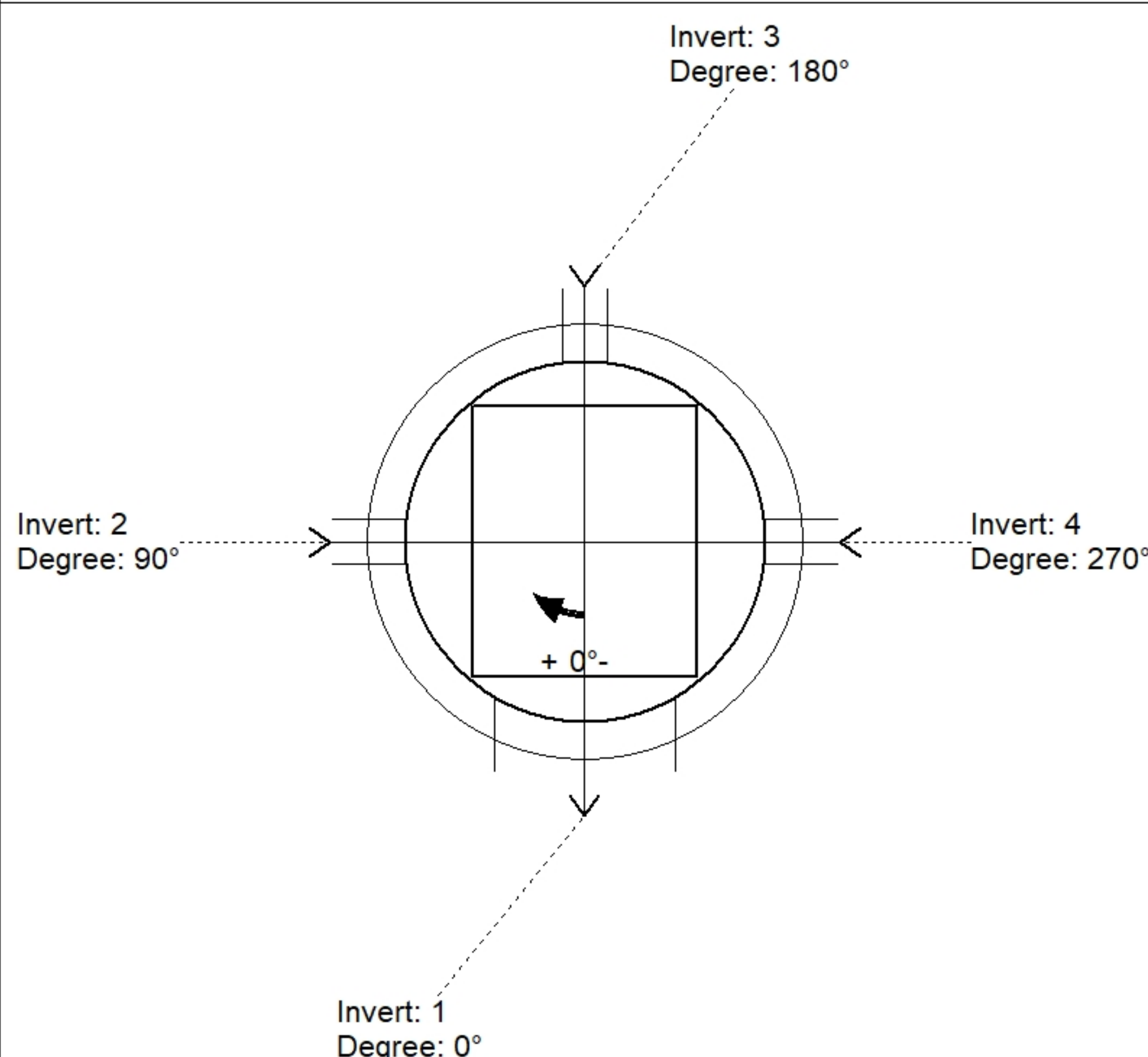
Floor (Bot): 496.767'  
 Overall Height: 4.042'  
 Slack: 1.1"

**Structure Notes:**  
 1. PER ASTM C478 SPECIFICATIONS.  
 2. CONCRETE = 4,000 PSI AT 28 DAYS.  
 3. NO STEPS.  
 4. CASTING SUPPLIED BY OTHERS (JBS 2064 F/G/H - SINGLE CURB INLET).

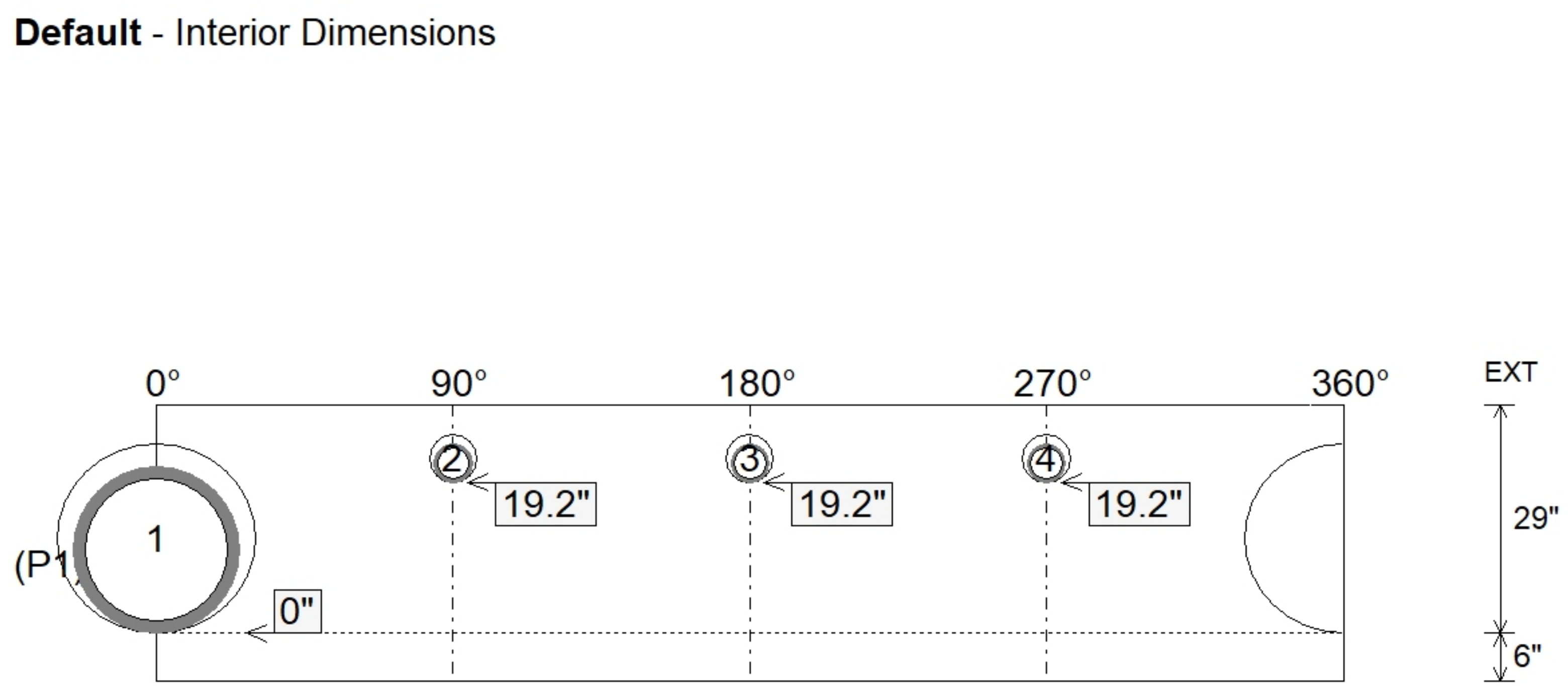
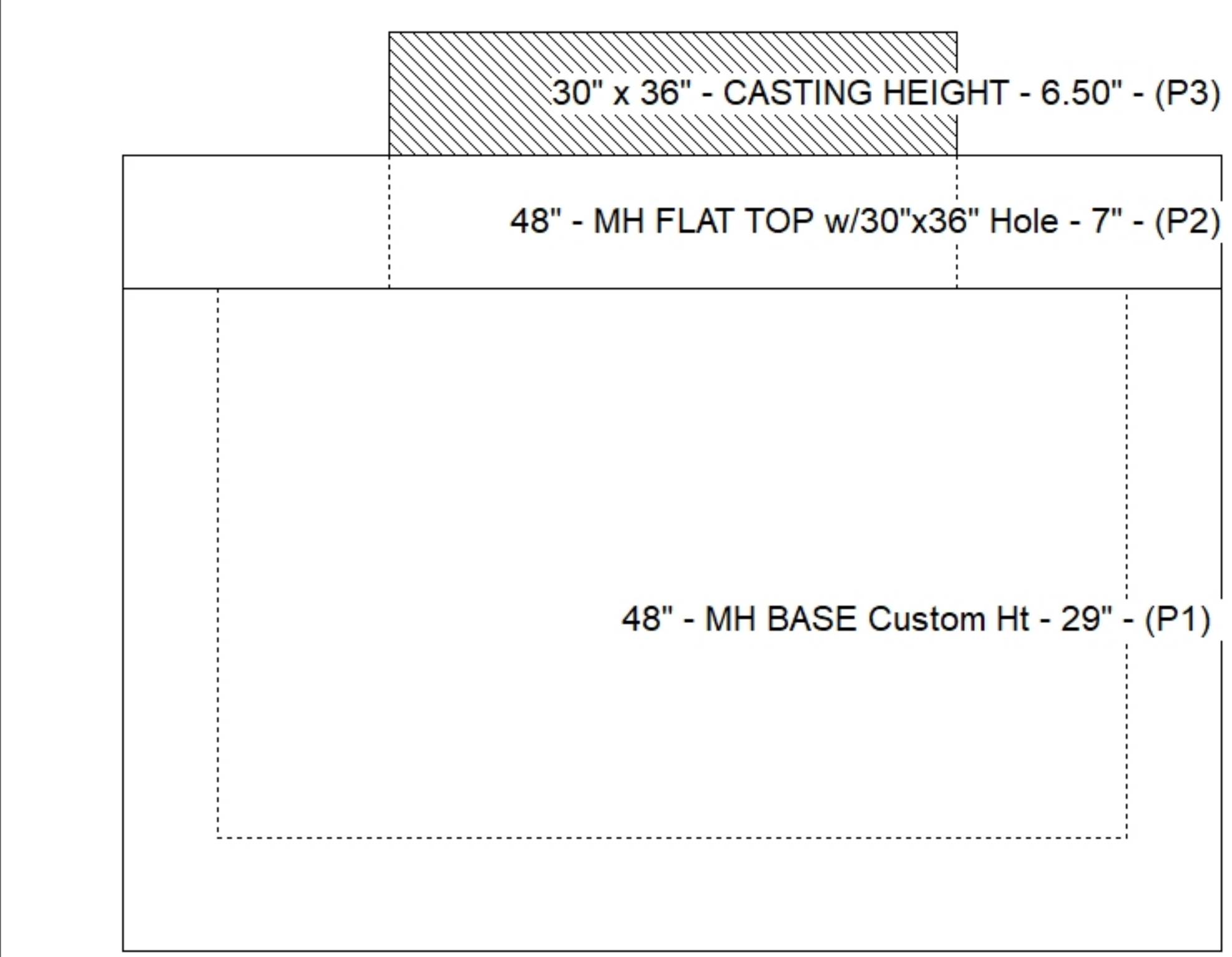
REINFORCING PER ASTM A615 (GRADE 60).  
 - TOP SLAB (As .62) #5 BARS AT 6" C.C.E.W..  
 - RISER/WALLS (As .12)  
 - FLOOR (As .31) #5 BARS AT 12" C.C.E.W.

**STRUCTURE SUMMARY:**

P3) 30" x 36" - CASTING HEIGHT - 6.50"	0 lb
P2) 48" - MH FLAT TOP w/30"x36" Hole - 7"	916 lb
P1) 48" - MH BASE Custom Ht - 29"	3123 lb
1) 48" - STORM INVERT CHANNEL - 1/4 HEIGHT	1075 lb
1) 48" - Conseal CS-102 1.00"	0 lb
1) Hole - 24	0 lb
3) Hole - 6	0 lb
<b>Structure Total:</b>	<b>5114 lb</b>



Position	Elev	Angle	Pipe	Pipe OD	Hole	Connector	Up (")	Ref
Rim	500.9'							
Reducer								
Invert 1	497.4'	0°	18" HDPE	21.2"	24"	Hole 24	0"	P1
Invert 2	498.9'	90°	4" HDPE (perf pipe)	4.8"	6"	Hole 6	19.2"	P1
Invert 3	498.9'	180°	4" HDPE (perf pipe)	4.8"	6"	Hole 6	19.2"	P1
Invert 4	498.9'	270°	4" HDPE (perf pipe)	4.8"	6"	Hole 6	19.2"	P1
Invert 5								
Invert 6								
Invert 7								
Invert 8								



Submittal Drawing  
 4/2/2026 3:00:09 PM

SUBMITTAL  
 APPROVED BY: