



Structure ID: A0

P1 HWPC36FD

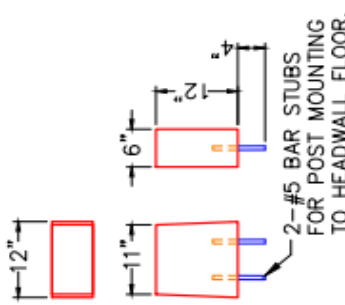
36" - PIPE CULVERT HEADWALL w/Flat Bottom/Dissipators F/F

DIMENSIONS

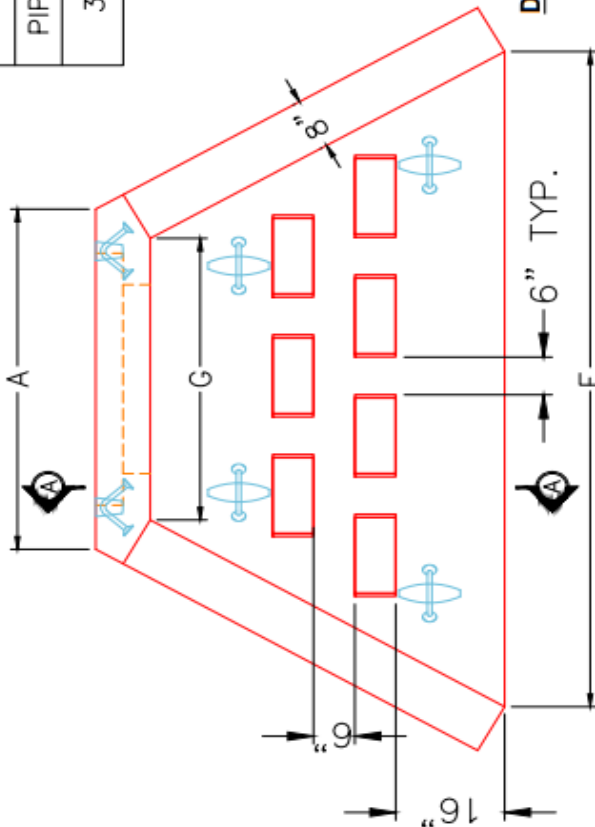
PIPE Ø	A	B	C	D	E	F	G	WEIGHT
36"	4'-6"	4'-8"	4'-0"	1'-6"	5'-0"	8'-8"	3'-8"	8,015 LBS

GENERAL NOTES:

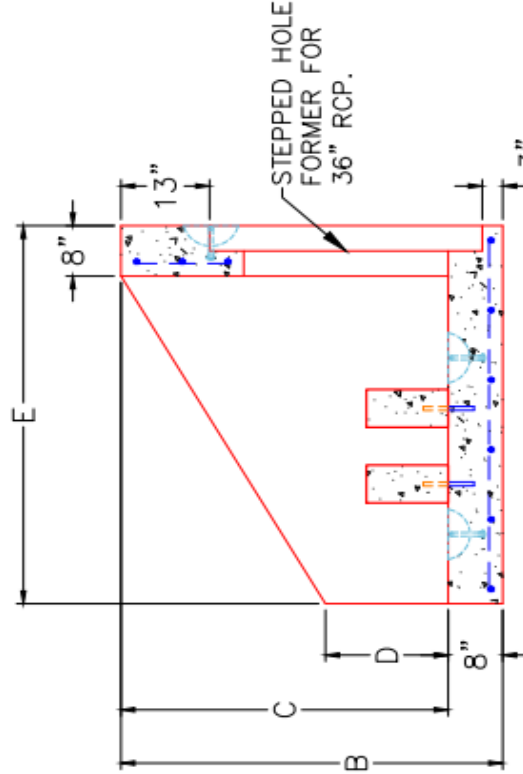
1. MANUFACTURED TO ASTM C-913 (LATEST REVISION).
2. CONCRETE: 5,000 PSI OR GREATER AT 28 DAYS.
3. REINFORCING: #5 BAR @ 12" C/C E.W. (GRADE 60).
4. WEIGHT: 8,015 LBS.
5. CONTRACTOR TO VERIFY ALL DIMENSIONS BEFORE MANUFACTURE.
6. ALL LIFT POINTS AND PIPE OPENINGS TO BE GROUTED BY CONTRACTOR.



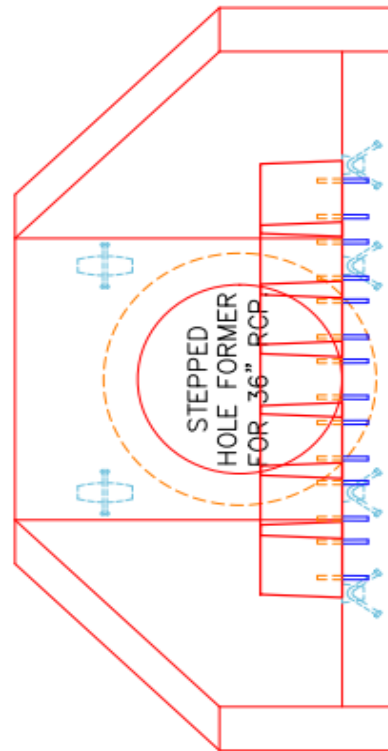
DISSIPATOR BLOCK DETAIL



PLAN VIEW



SECTION A-A



FRONT ELEVATION

SUBMITTAL DRAWING: 36" PC HW W/ FB & DISS.
CUSTOMER: CLEARY CONSTRUCTION, INC
PROJECT: WESTSIDE MARKETS OF GREENSBORO VILLAGE
STRUCTURE: A0
QUOTE/SALES ORDER NO: 26-1077
PC: C. GOFF
DATE: 01/20/26
SCALE: NTS
PG. 1 of 1



REVISION INFORMATION

REV. DATE: NO REVISIONS TO DATE