

Job Name: 26-1077 - Westside Markets of Greensboro Village
Job Location: Gallatin, TN
Contractor: Cleary Construction, Inc.

PC: C. Goff
 TECH: J. Coppage - F
 Plant: 100



Structure ID: **61077**
 Spec: HEADWALLS
 Type: HW TDOT TY. "U" Cross Drain EW (4to1)
 Size: 18"

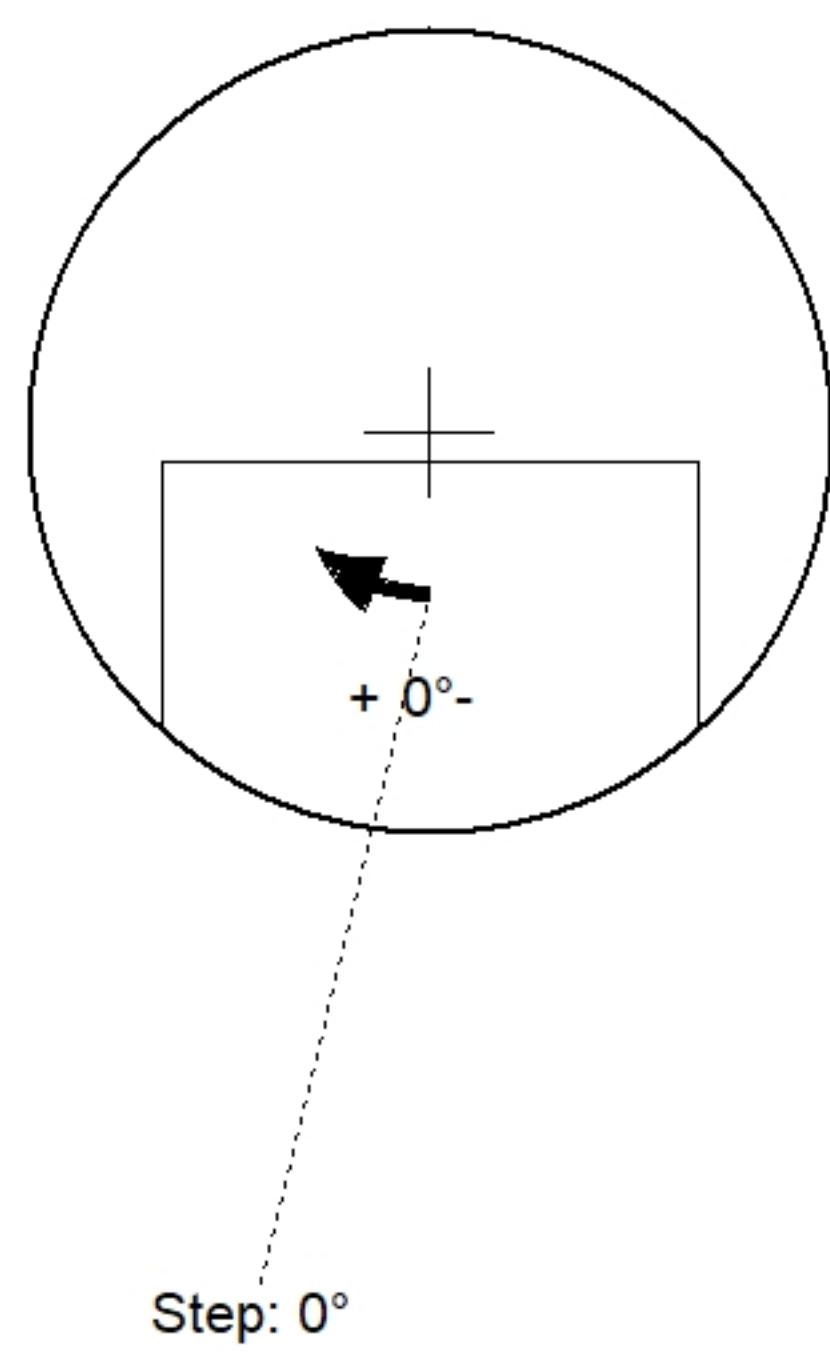
Rim: 2'
 Invert: 2'
 Rim to Invert: 0'

Sump: 24"
 Floor (Top): 0'
 Floor Height: 0"

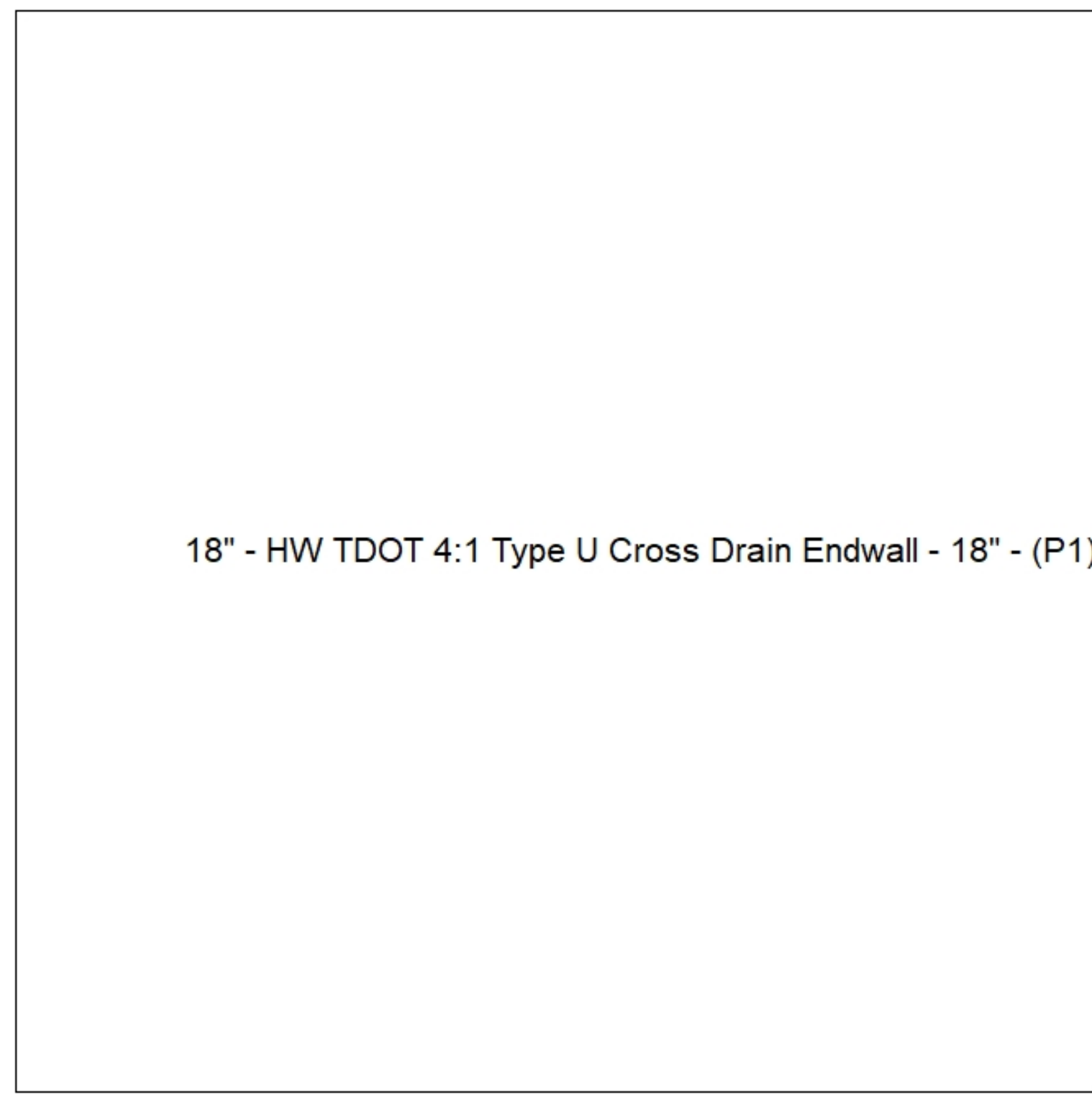
Floor (Bot): 0'
 Overall Height: 1.5'
 Slack: 6"

Structure Notes:

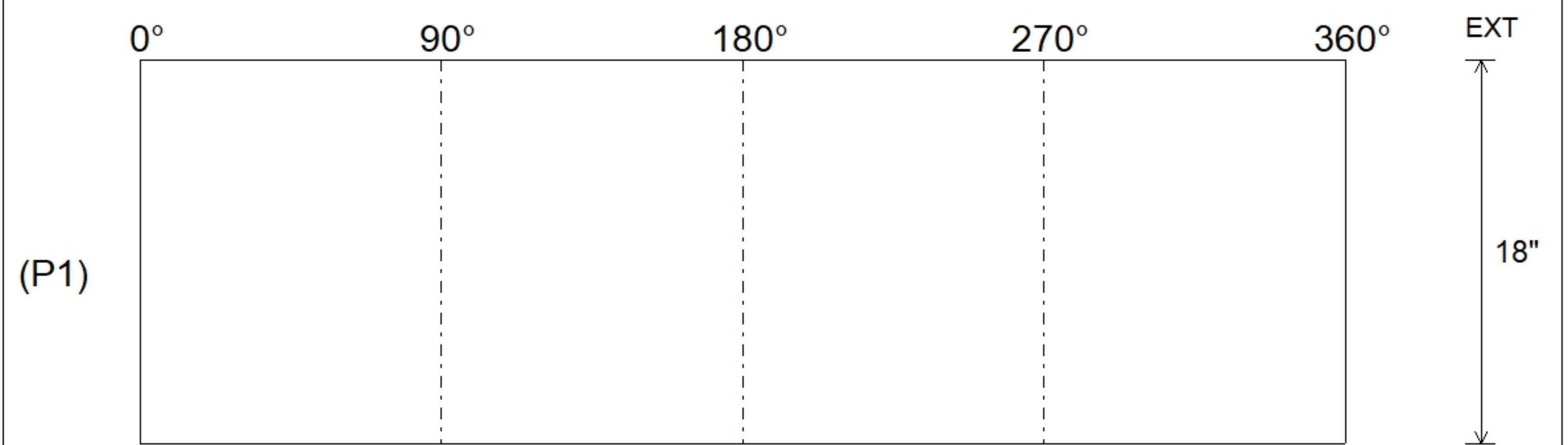
STRUCTURE SUMMARY:
 P1) 18" - HW TDOT 4:1 Type U Cross Drain Endwall - 18" 4318 lb
Structure Total: 4318 lb



Position	Elev	Angle	Pipe	Pipe OD	Hole	Connector	Up ()	Ref
Rim	2'							
Reducer								
Invert 1								
Invert 2								
Invert 3								
Invert 4								
Invert 5								
Invert 6								
Invert 7								
Invert 8								



Default - Interior Dimensions



Submittal Drawing
 4/2/2026 3:00:14 PM

SUBMITTAL
 APPROVED BY: