

GREASE TRAP DIMENSIONS & QUANTITIES										
CAPACITY	IL	IW	ID	WT	TT	FT	LD	BT	WEIGHT	TOP SLAB WT.
1000 GALS.	120"	60"	54"	6"	8"	6"	37"	4"	17,675 LBS.	5,775 LBS.
1500 GALS.	144"	72"	48"	6"	8"	6"	34"	4"	20,925 LBS.	8,195 LBS.
2000 GALS.	144"	72"	64"	6"	8"	6"	46"	4"	24,805 LBS.	8,195 LBS.
2500 GALS.	144"	72"	72"	6"	8"	6"	56"	6"	27,925 LBS.	8,195 LBS.
3000 GALS.	144"	72"	84"	6"	8"	6"	68"	6"	31,515 LBS.	8,195 LBS.
3500 GALS.	144"	72"	96"	6"	8"	6"	78"	6"	35,105 LBS.	8,195 LBS.

GRADE RING DIMENSIONS & WEIGHTS				
GRADE RING I.D.	T	O.D.	WT	WEIGHTS
24"φ	3"	40"φ	8"	202 LBS.
24"φ	4"	40"φ	8"	270 LBS.
24"φ	6"	40"φ	8"	405 LBS.

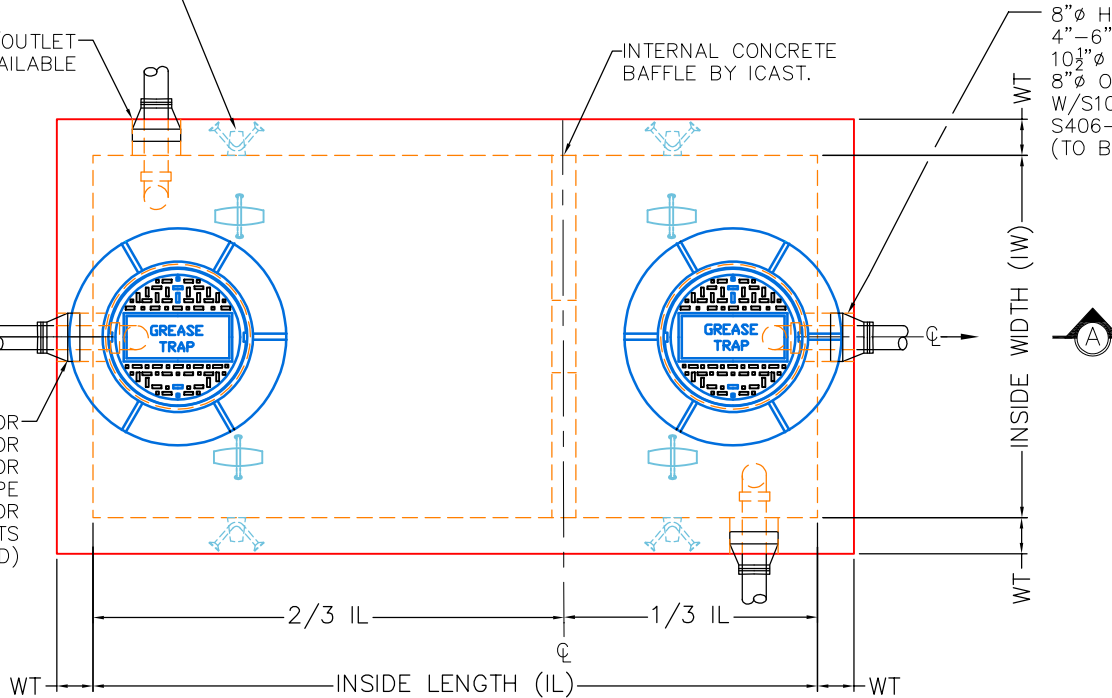
4 EA. CONAC 6CA18 ANCHORS CAST IN EACH SECTION AS SHOWN FOR PLANT & FIELD HANDLING.

ALTERNATE INLET/OUTLET HOLES AVAILABLE

INTERNAL CONCRETE BAFFLE BY ICASST.

8"φ HOLE FOR 4"-6"φ PIPE OR 10 1/2"φ HOLE FOR 8"φ OUTLET PIPE W/S106-8SRWS OR S406-10.5W BOOTS (TO BE SPECIFIED)

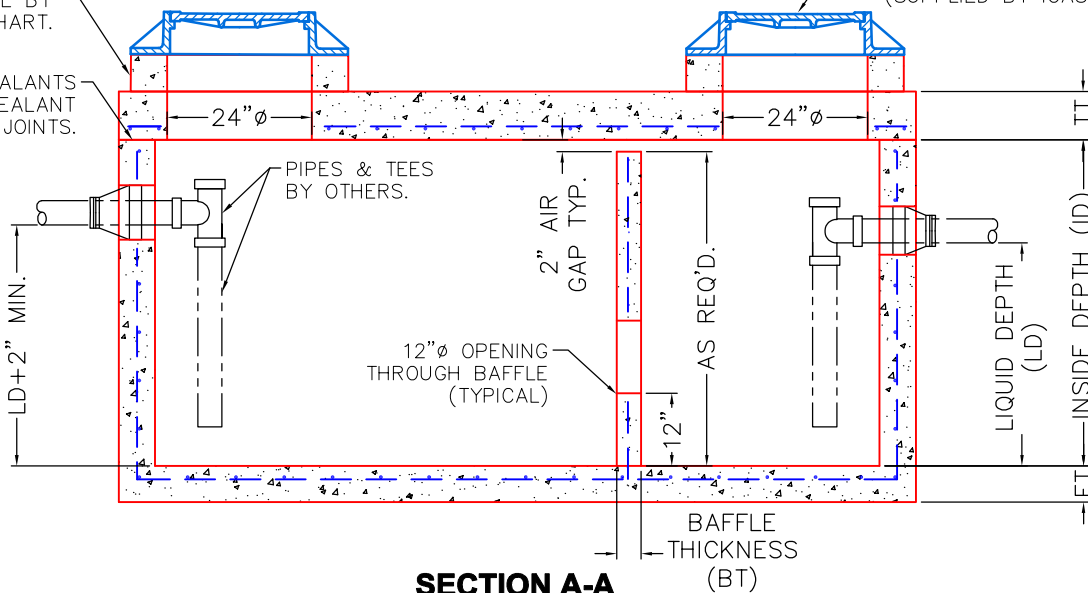
8"φ HOLE FOR 4"-6"φ PIPE OR 10 1/2"φ HOLE FOR 8"φ INLET PIPE W/S106-8SRWS OR S406-10.5W BOOTS (TO BE SPECIFIED)



GRADE RINGS AVAILABLE BY REQUEST, SEE CHART.

CONCRETE SEALANTS CS-102 BUTYL SEALANT FOR ALL JOINTS.

2 EA. 24"φ OPENINGS FOR CAST IRON FRAME & COVERS LETTERED "GREASE TRAP"-2 EA. (SUPPLIED BY ICASST)



~NOTES:

1. MANUFACTURED PER ASTM C-890-13 LATEST REVISION.
2. CONCRETE = 4,500 PSI AT 28 DAYS.
3. REINFORCING PER ASTM A615, GRADE 60, FOR H-20 DESIGN LOADING.
4. SEALED WITH BUTYL MASTIC PER ASTM C-990-09.
5. GRADE RINGS AVAILABLE BY REQUEST.
6. ADMIXTURES AND/OR COATINGS AVAILABLE BY REQUEST.

**INFRASTRUCTURE PRECAST, INC.**

981 WEST 7TH ST., BEAVER DAM, KY. 42320  
PHONE: (270) 363-2238, FAX: (270) 298-7424

GREASE TRAPS (TYPICAL)

DRAWING NO.: BX-TANK-4000

DATE: 05-15-25

REVIEWED BY: J.H. ROSS, PE

DRAWN BY: N. RICHARDS

WEB: WWW.ICASTINC.COM

SCALE: NTS

