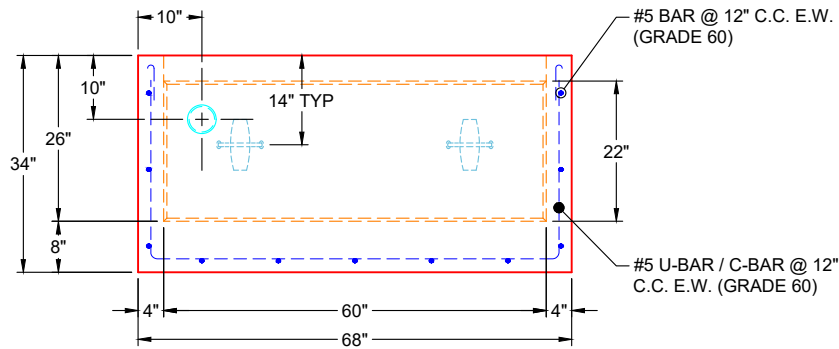
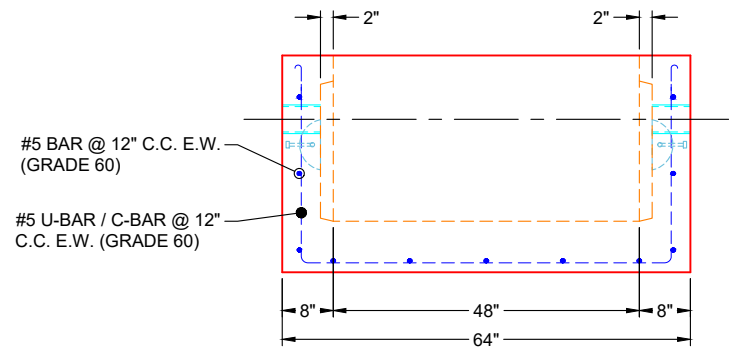


PLAN VIEW



FRONT VIEW



SIDE VIEW

GENERAL NOTES:

1. MANUFACTURED TO ASTM C-913 (LATEST REVISION)
2. CONCRETE: 5,000 PSI AT 28 DAYS
3. REINFORCEMENT: AS NOTED - A614 GRADE 60, MIN. 1½" MIN. REBAR CLEARANCE
4. WEIGHT: 5,890 LBS
5. JOINT SEALANT: CONSEAL CS-102 - 1" (PRIMARY & SECONDARY ROWS)
6. NOSING KIT SUPPLIED BY ICAST

REVISION INFORMATION

REV. DATE: NO REVISIONS TO DATE



SUBMITTAL DRAWING: 48" X 60" VAULT

CUSTOMER: ENDESOL, INC.

PROJECT: VSG 3-26

STRUCTURE: 61043 (3)

QUOTE/SALES ORDER NO: 26-1043

CHECKED BY: B. SMITH

DRAWN BY: K. CARDWELL

DATE: 01/20/26

SCALE: NTS

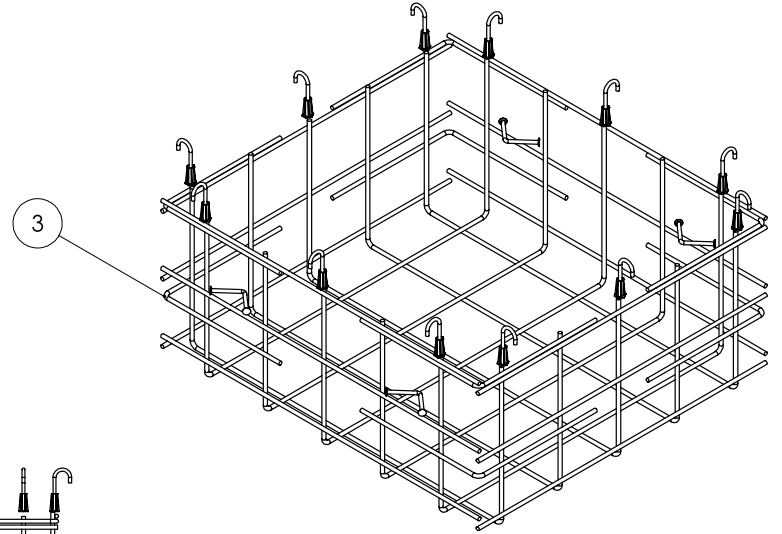
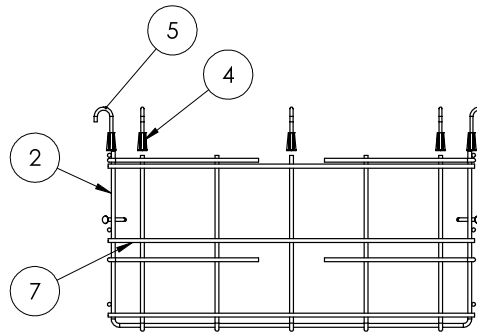
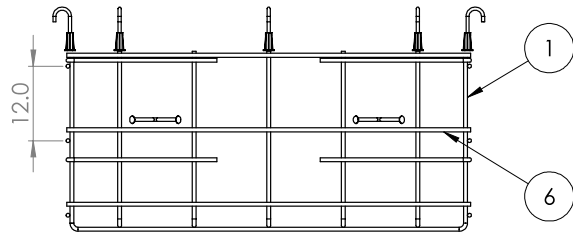
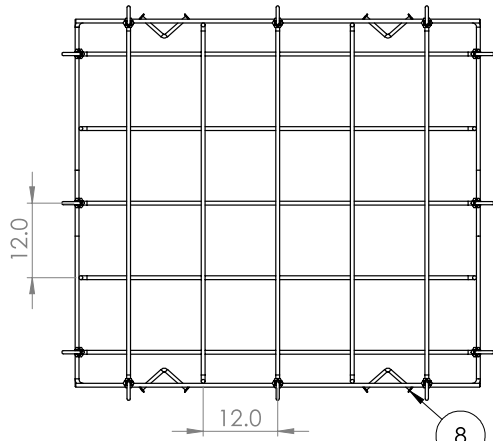
PG. 1 OF 1

4

3

2

1



ITEM NO.	PART NUMBER	DESCRIPTION	QTY.
1	STA 68C	#5 Rebar C Shape	5
2	STA 64C	#5 Rebar C Shape	5
3	STA 2424L	#5 Rebar L 24" x 24"	8
4	TSI 50x278	Threaded Anchor	12
5	J Bolt 42117	#4 Rebar J	12
6	#5_65.0	#5 Rebar 65" Long	6
7	#5_59.0	#5 Rebar 59" Long	6
8	LUL514G	Lift Hook	4

NOTES:

- 1. Rebar: #5 A614 Grade 60
- 2. All Rebar to have 1.5" Cover Minimum

PROPRIETARY AND CONFIDENTIAL
 THE INFORMATION CONTAINED IN THIS DRAWING IS THE SOLE PROPERTY OF ENDESOL INC. ANY REPRODUCTION IN PART OR AS A WHOLE WITHOUT THE WRITTEN PERMISSION OF ENDESOL INC. IS PROHIBITED.

UNLESS OTHERWISE SPECIFIED:	
DIMENSIONS ARE IN INCHES	
TOLERANCES:	
FRACTIONAL 1/8"	
TWO PLACE DECIMAL .13	
THREE PLACE DECIMAL .125	
INTERPRET GEOMETRIC TOLERANCING PER:	
MATERIAL	#5 REBAR
FINISH	MILL
NEXT ASSY	USED ON
APPLICATION	DO NOT SCALE DRAWING

NAME	DATE
DRAWN CMJ	3-25-16
CHECKED JHR	3-25-16
ENG APPR. XXXX	XXXX
MFG APPR. XXXX	XXXX
Q. A. XXXX	XXXX
COMMENTS:	

ENDESOL

TITLE: EFX-60 Stationary Rebar Detail

SIZE B	DWG. NO. EFX-60 STA Rebar	REV X2
SCALE: 1:20	WEIGHT:	SHEET 1 OF 1

4

3

2

1

B

B

A

A