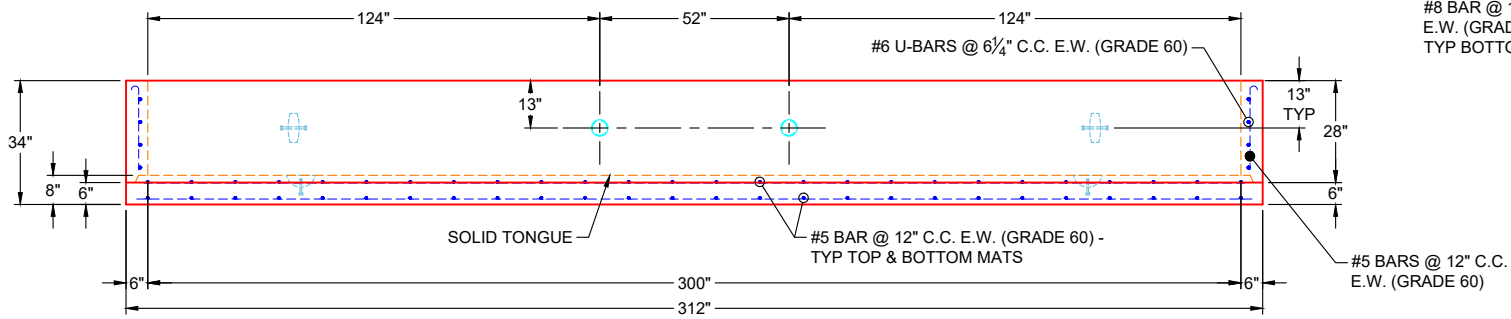
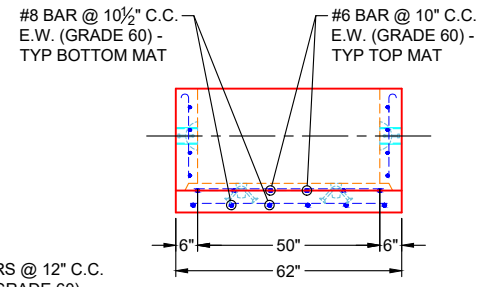


PLAN VIEW



FRONT VIEW



SIDE VIEW

GENERAL NOTES:

1. MANUFACTURED TO ASTM C-913 (LATEST REVISION)
2. CONCRETE: 5,000 PSI AT 28 DAYS
3. REINFORCEMENT: AS NOTED - A614 GRADE 60, MIN. 1 1/2" MIN. REBAR CLEARANCE
4. WEIGHTS:
 28" RISER 10,194 LBS
 8" BASE SLAB 15,920 LBS
 TOTAL WEIGHT 26,114 LBS
5. JOINT SEALANT: CONSEAL CS-102 - 1" (PRIMARY & SECONDARY ROWS)
6. NOSING KIT SUPPLIED BY ICAST

REVISION INFORMATION

REV.	DATE:	NO REVISIONS TO DATE

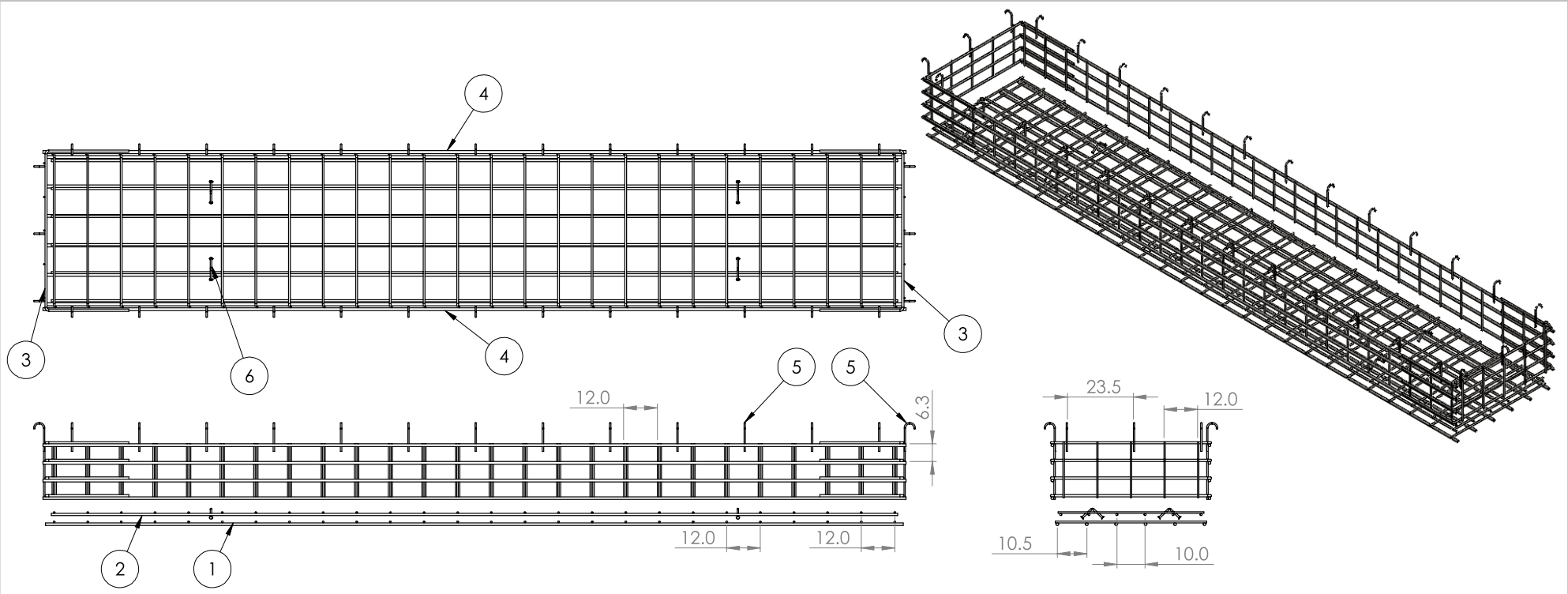


SUBMITTAL DRAWING: 50" X 300" VAULT		
CUSTOMER: ENDESOL, INC.		
PROJECT: VSG 3-26		
STRUCTURE: 61043 (1)		
QUOTE/SALES ORDER NO: 26-1043		
CHECKED BY: B. SMITH	DRAWN BY: K. CARDWELL	
DATE: 01/20/26	SCALE: NTS	PG. 1 OF 1

4 3 2 1

B

B



ITEM NO.	PART NUMBER	Qty.
1	17 Travel Base Bottom Mat	1
2	17 Travel Base Top Mat	1
3	Short Wall	2
4	17 Travel Long Wall	2
5	#4 0904J	32
6	6CA18 Lift Hooks	8

- NOTES:
1. Rebar: #5, #6, #8 A614 Grade 60
 2. All Rebar to have 1.5" Cover Minimum

A

A

PROPRIETARY AND CONFIDENTIAL
 THE INFORMATION CONTAINED IN THIS DRAWING IS THE SOLE PROPERTY OF ENDESOL INC. ANY REPRODUCTION IN PART OR AS A WHOLE WITHOUT THE WRITTEN PERMISSION OF ENDESOL INC. IS PROHIBITED.

UNLESS OTHERWISE SPECIFIED:		NAME	DATE	TITLE: 17 Travel Base and Riser Rebar Layout	
DIMENSIONS ARE IN INCHES		DRAWN	CMJ		3-25-16
TOLERANCES:		CHECKED	JHR		3-25-16
FRACTIONAL ± 1/8"		ENG APPR.	xxxx		xxxx
TWO PLACE DECIMAL ±.13		MFG APPR.	xxxx		xxxx
THREE PLACE DECIMAL ±.125		Q. A.	xxxx	xxxx	
INTERPRET GEOMETRIC TOLERANCING PER:		COMMENTS:			
MATERIAL		Rebar A614 G60			
FINISH		MILL			
NEXT ASSY	USED ON	APPLICATION			
		DO NOT SCALE DRAWING			
SIZE	DWG. NO.	REV			
B	17 Travel Base and Riser Rebar Layout	X1			
SCALE: 1:50		WEIGHT:		SHEET 1 OF 1	

4 3 2 1

4

3

2

1

ITEM NO.	PART NUMBER	DESCRIPTION	QTY.
1	6CA18	#8 Rebar	6
2	#5_54.0	#5 Rebar	26

#5 Rebar

#8 Rebar

306.0

54.0

12.0 - TYP.

10.5 - TYP.



981 W. 7th Street
 Beaver Dam, KY
 42320
 P 270-363-2238
 F 270-363-2234
 iCastInc.com

DIMENSIONS ARE IN INCHES
 TOLERANCES:
 FRACTIONAL ±
 ANGULAR: MACH ± BEND ±
 TWO PLACE DECIMAL ±
 THREE PLACE DECIMAL ±
 MATERIAL
 FINISH
 DO NOT SCALE DRAWING

	NAME	DATE
DRAWN	CMJ	1/25/21
CHECKED	JHR	1/25/21
ENG APPR.		
MFG APPR.		
Q.A.		
COMMENTS:		

17' Travel Vault
 Base Bottom Mat

SIZE: LxWxH, NO. REV.
B7 Travel Base Bottom Mat
 SCALE: 1:50 WEIGHT: SHEET 1 OF 1

4

3

2

1

B

B

A

A

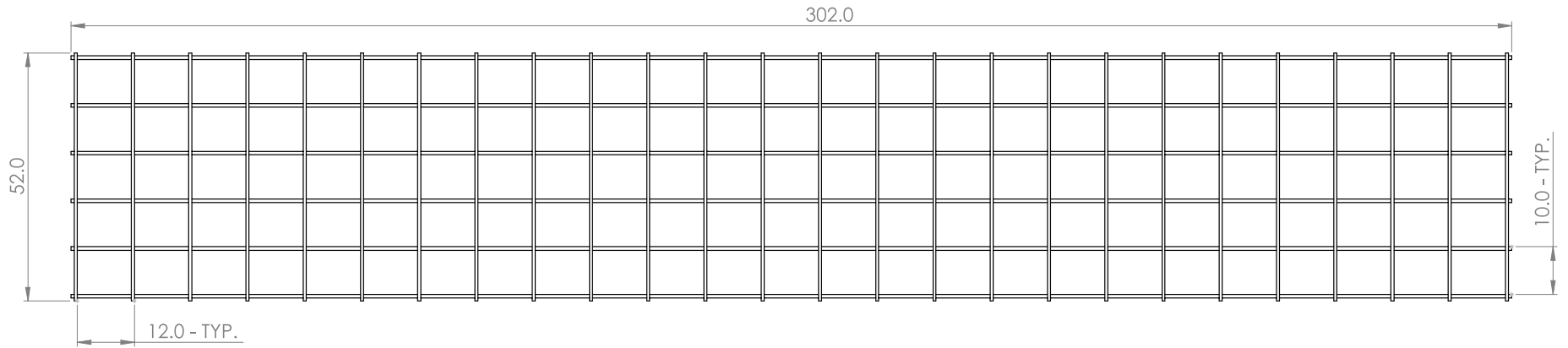
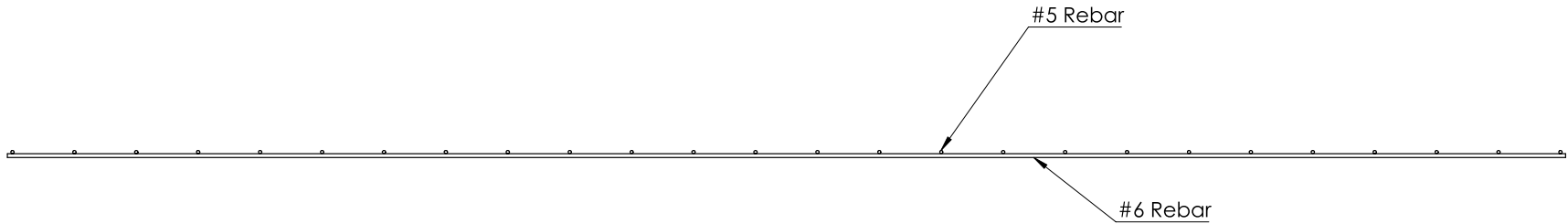
4

3

2

1

ITEM NO.	PART NUMBER	DESCRIPTION	QTY.
1	#6_302.0	#6 Rebar	6
2	#5_52.0	#5 Rebar	26



981 W. 7th Street
 Beaver Dam, KY
 42320
 P 270-363-2238
 F 270-363-2234
 iCastInc.com

DIMENSIONS ARE IN INCHES
 TOLERANCES:
 FRACTIONAL: ±
 ANGULAR: MACH ± BEND ±
 TWO PLACE DECIMAL ±
 THREE PLACE DECIMAL ±

PROPRIETARY AND CONFIDENTIAL
 THE INFORMATION CONTAINED IN THIS DRAWING IS THE SOLE PROPERTY OF
 INFRASTRUCTURE PRECAST INC. (ICP). ANY REPRODUCTION IN PART OR
 AS A WHOLE WITHOUT THE WRITTEN PERMISSION OF ICP IS PROHIBITED.

MATERIAL
 FINISH
 DO NOT SCALE DRAWING

	NAME	DATE
DRAWN	CMJ	1/25/21
CHECKED	JHR	1/25/21
ENG APPR.		
MFG APPR.		
Q.A.		
COMMENTS:		

17' Travel Vault
 Base Top Mat

SIZE: **B** QWG. NO.:
 17' Travel Base Top Mat REV.
 SCALE: 1:50 WEIGHT: SHEET 1 OF 1

4

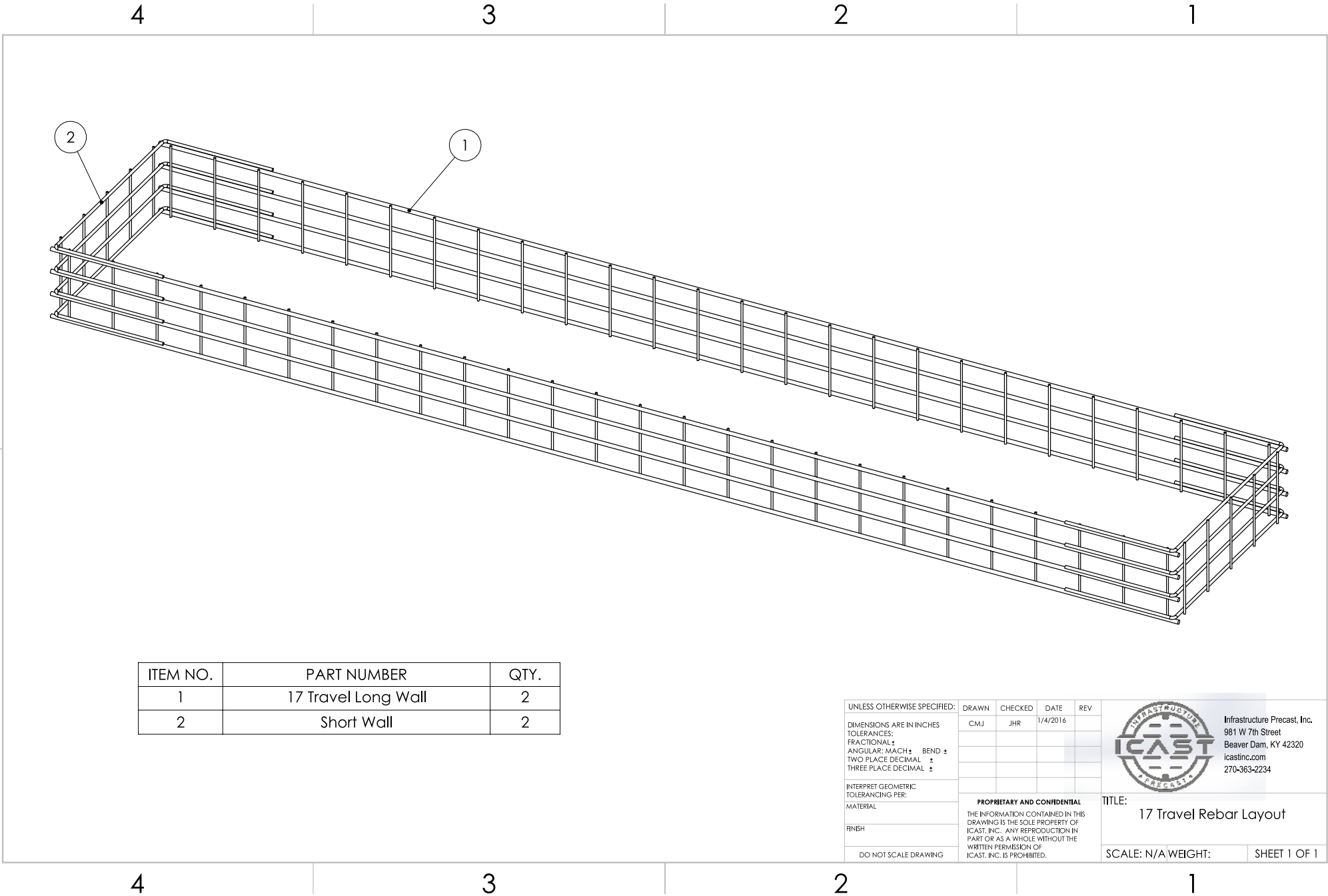
3

2

1

B

A



ITEM NO.	PART NUMBER	QTY.
1	17 Travel Long Wall	2
2	Short Wall	2

UNLESS OTHERWISE SPECIFIED:	DRAWN	CHECKED	DATE	REV
DIMENSIONS ARE IN INCHES	CMJ	JHR	1/4/2016	
TOLERANCES:				
FRACTIONAL: ±				
ANGULAR: MACH ± BEND ±				
TWO PLACE DECIMAL ±				
THREE PLACE DECIMAL ±				
INTERPRET GEOMETRIC TOLERANCING PER:	PROPRIETARY AND CONFIDENTIAL			
MATERIAL	THE INFORMATION CONTAINED IN THIS DRAWING IS THE SOLE PROPERTY OF ICAST, INC. ANY REPRODUCTION IN PART OR AS A WHOLE WITHOUT THE WRITTEN PERMISSION OF ICAST, INC. IS PROHIBITED.			
FINISH	TITLE: 17 Travel Rebar Layout			
DO NOT SCALE DRAWING	SCALE: N/A WEIGHT:			SHEET 1 OF 1



Infrastructure Precast, Inc.
 981 W 7th Street
 Beaver Dam, KY 42320
 icastrc.com
 270-363-2234

4

3

2

1

308.00

4.00

12.00

12.00

19.00

20.00

1

2

ITEM NO.	PART NUMBER	DESCRIPTION	QTY.
1	_8_308_0	#8 Rebar 308" Long	4
2	#5_20.0	#5 Rebar 20" Long	26

UNLESS OTHERWISE SPECIFIED:	DRAWN	CHECKED	DATE	REV
DIMENSIONS ARE IN INCHES	CMJ	JHR	1/6/2026	
TOLERANCES:				
FRACTIONAL: ±				
ANGULAR: MACH ± BEND ±				
TWO PLACE DECIMAL ±				
THREE PLACE DECIMAL ±				
INTERPRET GEOMETRIC TOLERANCING PER:	PROPRIETARY AND CONFIDENTIAL			
MATERIAL	THE INFORMATION CONTAINED IN THIS DRAWING IS THE SOLE PROPERTY OF ICAST, INC. ANY REPRODUCTION IN PART OR AS A WHOLE WITHOUT THE WRITTEN PERMISSION OF ICAST, INC. IS PROHIBITED.			
FINISH	TITLE: 17 Travel Long Wall			
DO NOT SCALE DRAWING	SCALE: N/A WEIGHT:			SHEET 1 OF 1



Infrastructure Precast, Inc.
 981 W 7th Street
 Beaver Dam, KY 42320
 icastrc.com
 270-363-2234

4

3

2

1

B

B

A

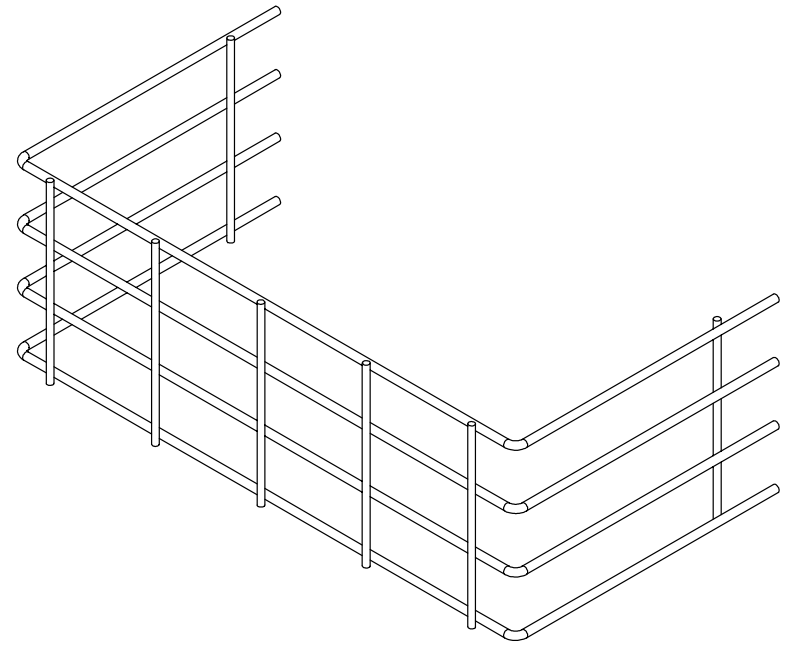
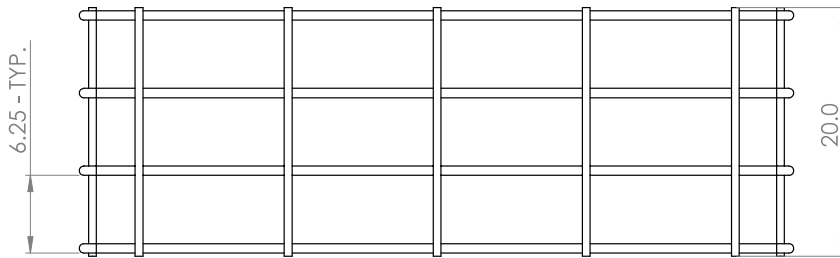
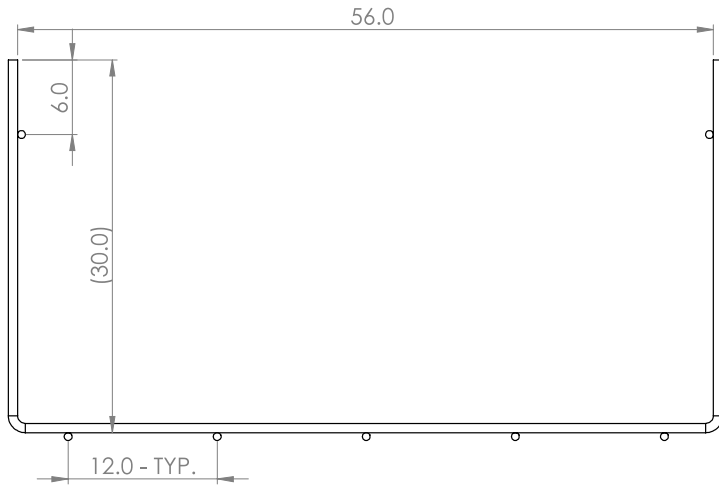
A

4

3

2

1



ITEM NO.	PART NUMBER	DESCRIPTION	QTY.
1	6CA18	#6 Formed Rebar C	4
2	#5_20.0	#5 Rebar 20" Long	7



981 W. 7th Street
 Beaver Dam, KY
 42320
 P 270-363-2238
 F 270-363-2234
 iCastInc.com

DIMENSIONS ARE IN INCHES
 TOLERANCES:
 FRACTIONAL ±
 ANGULAR: MACH ± BEND ±
 TWO PLACE DECIMAL ±
 THREE PLACE DECIMAL ±

	NAME	DATE
DRAWN	xxx	
CHECKED		
ENG APPR.		
MFG APPR.		
Q.A.		
COMMENTS:		

PROPRIETARY AND CONFIDENTIAL
 THE INFORMATION CONTAINED IN THIS DRAWING IS THE SOLE PROPERTY OF
 INFRASTRUCTURE PRECAST INC. (iCAST). ANY REPRODUCTION IN PART OR
 AS A WHOLE WITHOUT THE WRITTEN PERMISSION OF iCAST IS PROHIBITED.

FINISH
 DO NOT SCALE DRAWING

SIZE	DWG. NO.	REV.
B	Short Wall	

SCALE: 1:10 WEIGHT: SHEET 1 OF 1

4

3

2

1

B

B

A

A