

**Job Name: 26-1035 Sixty-Nine Gardens Manholes**  
**Job Location: Savannah, TN**  
**Contractor: Summertown Metals**

PC: T. Lewis  
 TECH: S. Felletter  
 Plant: Beaver Dam



Structure ID: 3 (4)

Spec: Sanitary  
 Type: SAN.MH w/ConBlock-CDA Red  
 Size: 48"

Rim: 6.67'  
 Invert: 0'  
 Rim to Invert: 6.67'

Sump: 2"  
 Floor (Top): -0.167'  
 Floor Height: 6"

Floor (Bot): -0.667'  
 Overall Height: 7.333'  
 Slack: 0.04"

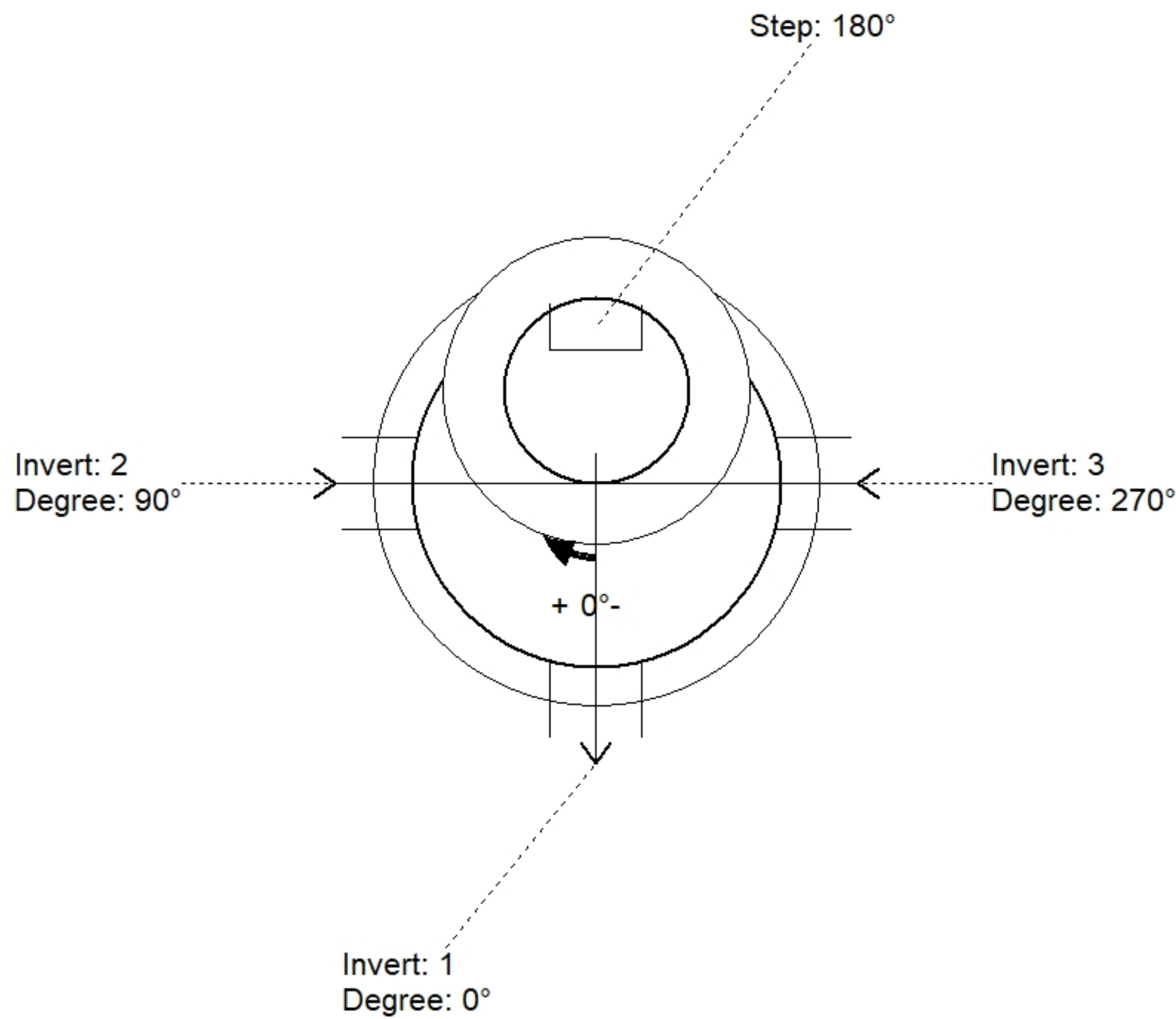
**Structure Notes:**

1. PER ASTM C478 SPECIFICATIONS.
2. CONCRETE = 4,000 PSI AT 28 DAYS.
3. ADMIXTURE = CONBLOCK CDA RED.
4. CASTING HOE MC-375 SANITARY BY ICAST.

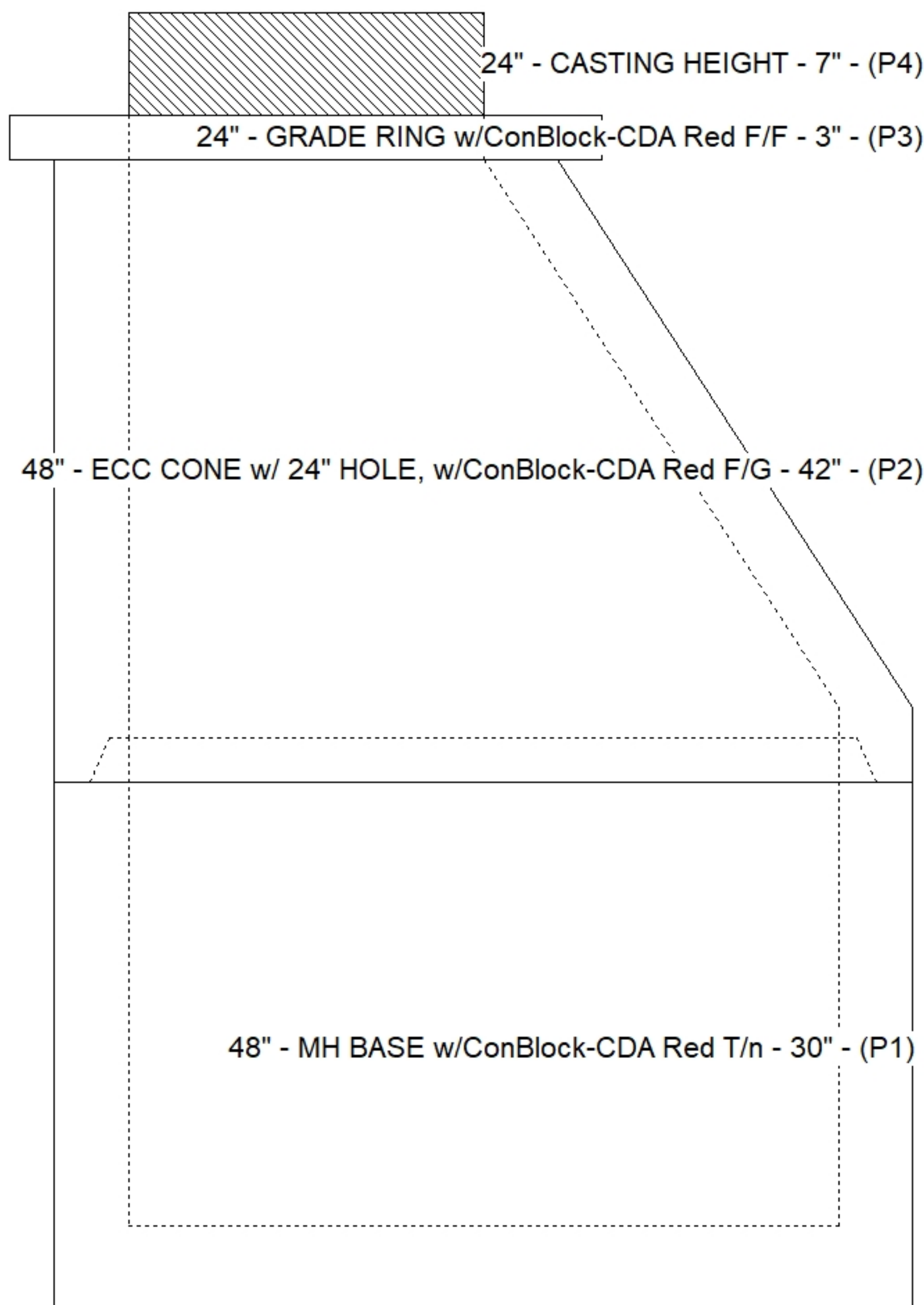
REINFORCING PER ASTM A615 (GRADE 60).  
 - CONE (As .12)  
 - RISER/WALLS (As .12)  
 - FLOOR (As .31) #5 BARS AT 12" C.C.E.W.

**STRUCTURE SUMMARY:**

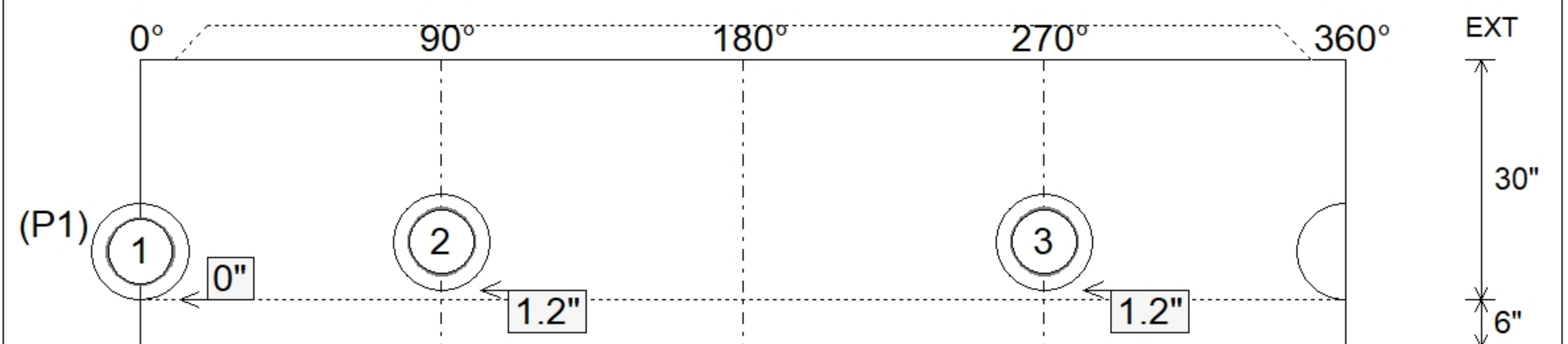
P4)	24" - CASTING HEIGHT - 7"	0 lb
P3)	24" - GRADE RING w/ConBlock-CDA Red F/F - 3"	202 lb
P2)	48" - ECC CONE w/ 24" HOLE, w/ConBlock-CDA Red F/G - 42"	3116 lb
P1)	48" - MH BASE w/ConBlock-CDA Red T/n - 30"	3282 lb
1)	JOINT WRAP PRIMER - CONSEAL CS-75 (1 gal.)	0 lb
1)	JOINT WRAP - 0.065"x6"x50' CONSEAL CS212	0 lb
1)	48" - MH INVERT CHANNEL w/ConBlock-CDA Red - FULL HEIGHT	1440 lb
1)	CASTING - HOE MC-375 F/C Sanitary	271 lb
1)	48" - Conseal CS-102 1.00" (Double)	0 lb
3)	PSX - 12-08 NYLO	24 lb
6)	MH Step ML-10-TDS-NCR - 10"	0 lb
	89.39 SqFt) CS-55 BLACK ACRYLLIC [EXT]	0 lb
	<b>Structure Total:</b>	<b>8336 lb</b>



Position	Elev	Angle	Pipe	Pipe OD	Hole	Connector	Up ( )	Ref
Rim	6.67'							
Reducer								
Invert 1	0'	0°	8" PVC SDR35	8.5"	12"	PSX 12-08 NYLO	0"	P1
Invert 2	0.1'	90°	8" PVC SDR35	8.5"	12"	PSX 12-08 NYLO	1.2"	P1
Invert 3	0.1'	270°	8" PVC SDR35	8.5"	12"	PSX 12-08 NYLO	1.2"	P1
Invert 4								
Invert 5								
Invert 6								
Invert 7								
Invert 8								



**Default - Interior Dimensions**



Submittal Drawing  
 2/23/2026 8:33:16 AM

SUBMITTAL  
 APPROVED BY: