

Job Name: 26-1035 Sixty-Nine Gardens Manholes	Plant: Beaver Dam	Tech: S. Felletter	
Job Location: Savannah, TN Contractor: Summertown Metals	2/23/2026 8:33:54 AM	PC: T. Lewis	

Structure ID: 1 (2)

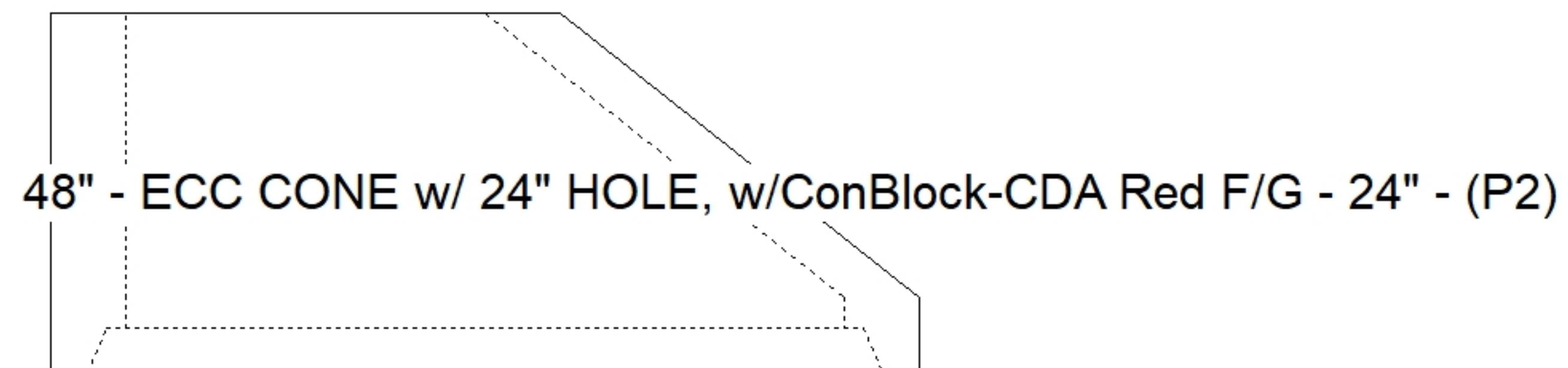
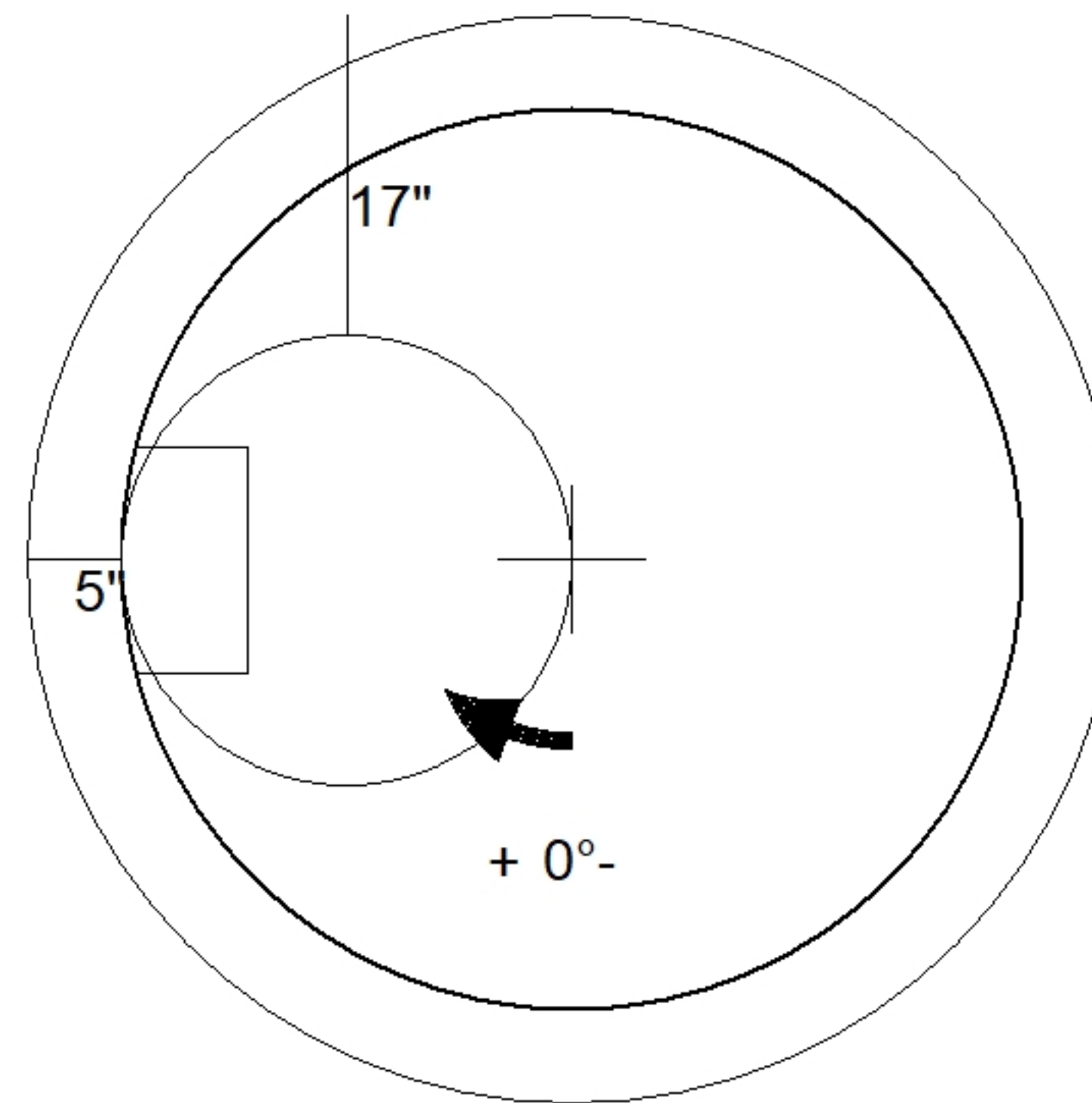
P2 MH048CN24CDARED

ECC CONE w/ 24" HOLE, w/ConBlock-CDA Red F/G

P4) 24" - CASTING HEIGHT - 7"	0 lb
P3) 24" - GRADE RING w/ConBlock-CDA Red F/F - 3"	202 lb
P2) 48" - ECC CONE w/ 24" HOLE, w/ConBlock-CDA Red F/G - 24"	1738 lb
P1) 48" - MH BASE w/ConBlock-CDA Red T/n - 18"	2492 lb
1) JOINT WRAP PRIMER - CONSEAL CS-75 (1 gal.)	0 lb
1) JOINT WRAP - 0.065"x6"x50' CONSEAL CS212	0 lb
1) 48" - MH INVERT CHANNEL w/ConBlock-CDA Red - FULL HEIGHT	1440 lb
1) CASTING - HOE MC-375 F/C Sanitary	271 lb
1) 48" - Conseal CS-102 1.00" (Double)	0 lb
2) PSX - 12-08 NYLO	16 lb
3) MH Step ML-10-TDS-NCR - 10"	0 lb
57.3 SqFt) CS-55 BLACK ACRYLLIC [EXT]	0 lb
Structure Total:	6160 lb

Structure Notes:
 1. PER ASTM C478 SPECIFICATIONS.
 2. CONCRETE = 4,000 PSI AT 28 DAYS.
 3. ADMIXTURE = CONBLOCK CDA RED.
 4. CASTING HOE MC-375 SANITARY BY ICAST.

REINFORCING PER ASTM A615 (GRADE 60).
 - CONE (As .12)
 - RISER/WALLS (As .12)
 - FLOOR (As .31) #5 BARS AT 12" C.C.E.W.



Coating (Int): Coating (Ext): CS-55 BLACK ACRYLLIC	Seam Up: Flat Seam Dn: Groove	Wall Thickness: 5"	Height (Ext): 24"	Weight (Net): 1738 lb Volume (Net): 0.44cu.yd
---	----------------------------------	--------------------	-------------------	--