

Job Name: 26-1029 - 873697 BJ's Wholesale Club
Job Location: Frankfort, KY
Contractor: Contech Engineering Solutions

PC: T. Sekula
 TECH: J. Coppage
 Plant: Beaver Dam



Structure ID: 15-CS-6
 Spec: Storm-Pipe Centered
 Type: STM.MH
 Size: 72"

Rim: 734.71'
 Invert: 727.23'
 Rim to Invert: 7.48'

Sump: 60"
 Floor (Top): 722.23'
 Floor Height: 8"

Floor (Bot): 721.563'
 Overall Height: 12.25'
 Slack: 10.76"

Structure Notes:
 (4" TALL CASTING PROVIDED BY OTHERS)

LIFTING ANCHORS TO BE INSTALLED ON THE OUTSIDE OF THE STRUCTURE

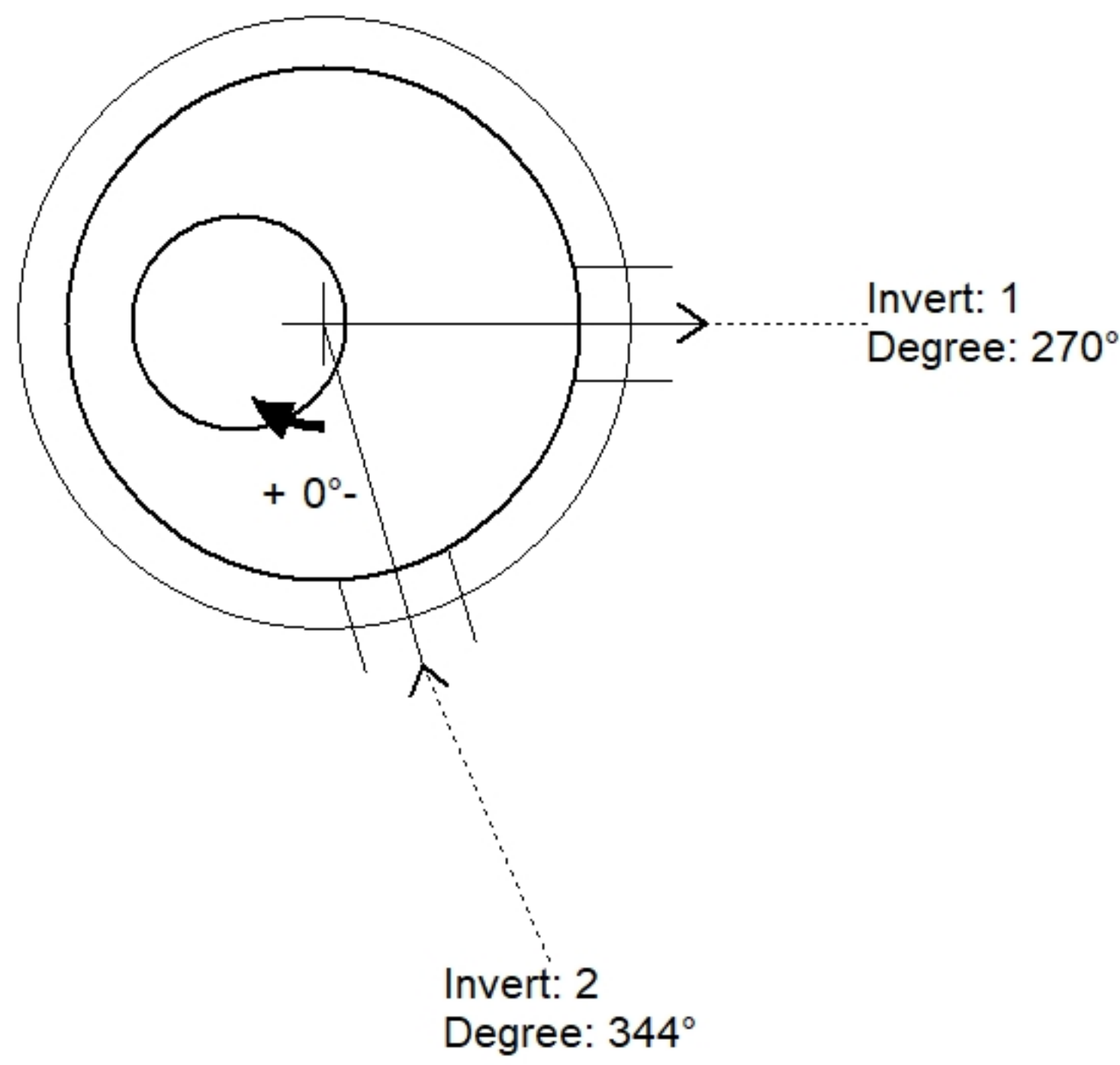
ICAST TO INSTALL THE INTERNALS

CONTECH'S LOGO AS WELL AS THE INLET AND THE OUTLET MUST BE STENCILED ONTO THE STRUCTURE

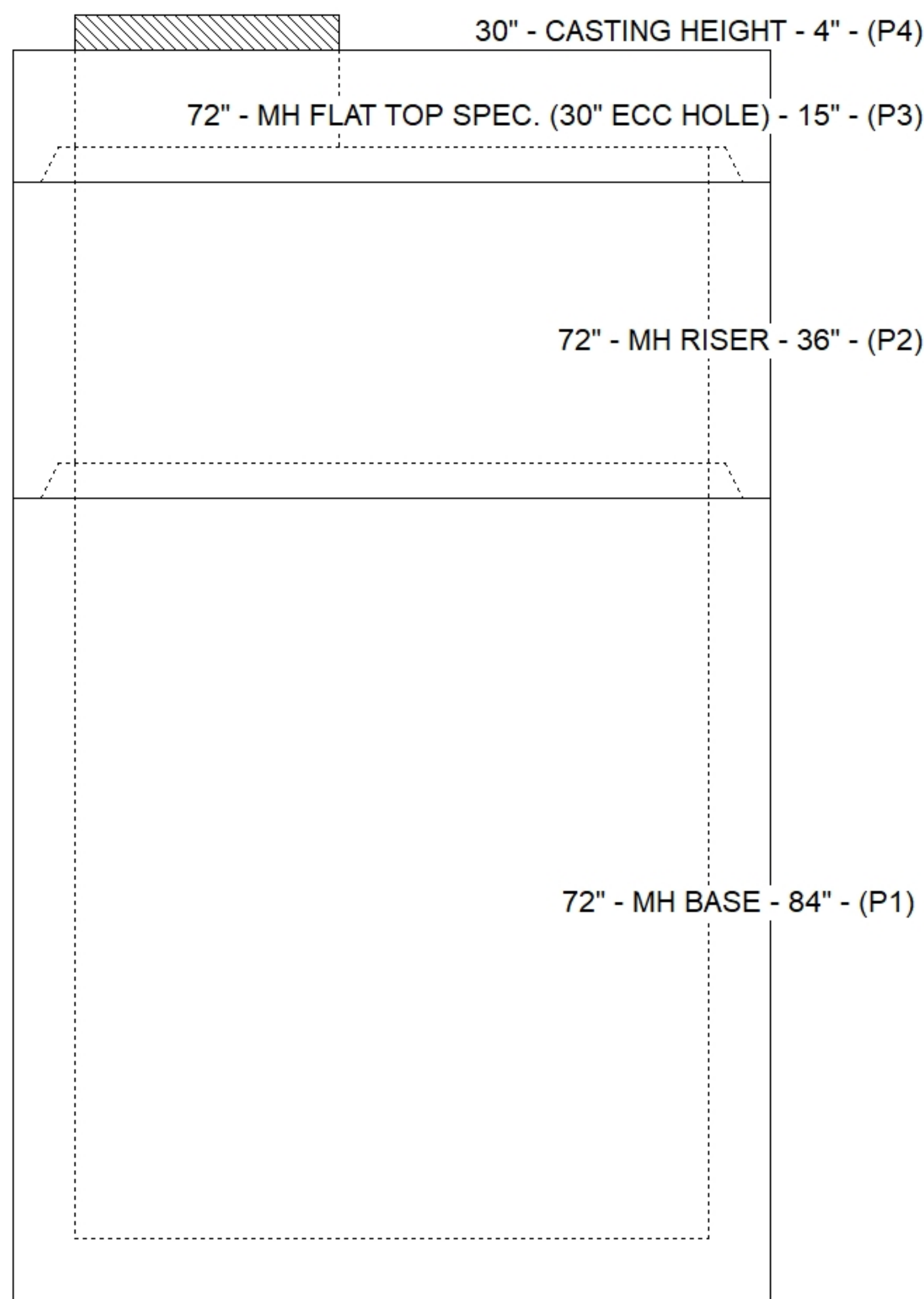
STRUCTURE SUMMARY:

P4) 30" - CASTING HEIGHT - 4"	0 lb
P3) 72" - MH FLAT TOP SPEC. (30" ECC HOLE) - 15"	4661 lb
P2) 72" - MH RISER - 36"	5248 lb
P1) 72" - MH BASE - 84"	15907 lb
1) ASSEMBLY REQUIRED	0 lb
1) CVSTENCILING	0 lb
2) 72" - Conseal CS-102 1.00"	0 lb
2) Hole - 16	0 lb

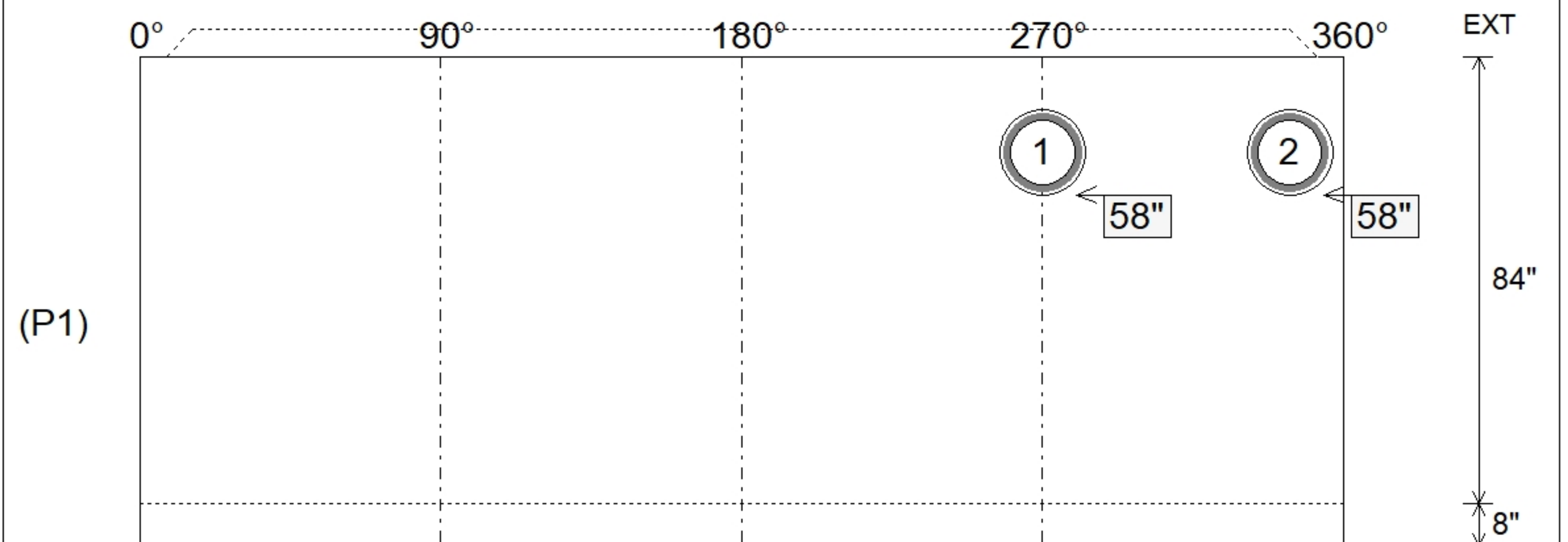
Structure Total:	25816 lb



Position	Elev	Angle	Pipe	Pipe OD	Hole	Connector	Up (")	Ref
Rim	734.71'							
Reducer								
Invert 1	727.23'	270°	12" ADS N-12	14.5"	16"	Hole 16	58"	P1
Invert 2	727.23'	344°	12" ADS N-12	14.5"	16"	Hole 16	58"	P1
Invert 3								
Invert 4								
Invert 5								
Invert 6								
Invert 7								
Invert 8								



Default - Interior Dimensions



Submittal Drawing
 1/12/2026 3:37:35 PM

SUBMITTAL
 APPROVED BY: