

Job Name: 26-1029 - 873697 BJ's Wholesale Club
Job Location: Frankfort, KY
Contractor: Contech Engineering Solutions

PC: T. Sekula
 TECH: J. Coppage
 Plant: Beaver Dam



Structure ID: **10-CS-8**
 Spec: Storm-Pipe Centered
 Type: STM.MH
 Size: 96"

Rim: 740.87'
 Invert: 732.5'
 Rim to Invert: 8.37'

Sump: 82"
 Floor (Top): 725.667'
 Floor Height: 13"

Floor (Bot): 724.583'
 Overall Height: 15.583'
 Slack: 8.44"

Structure Notes:
 (4" TALL CASTINGS PROVIDED BY OTHERS)

LIFTING ANCHORS TO BE INSTALLED ON THE OUTSIDE OF THE STRUCTURE

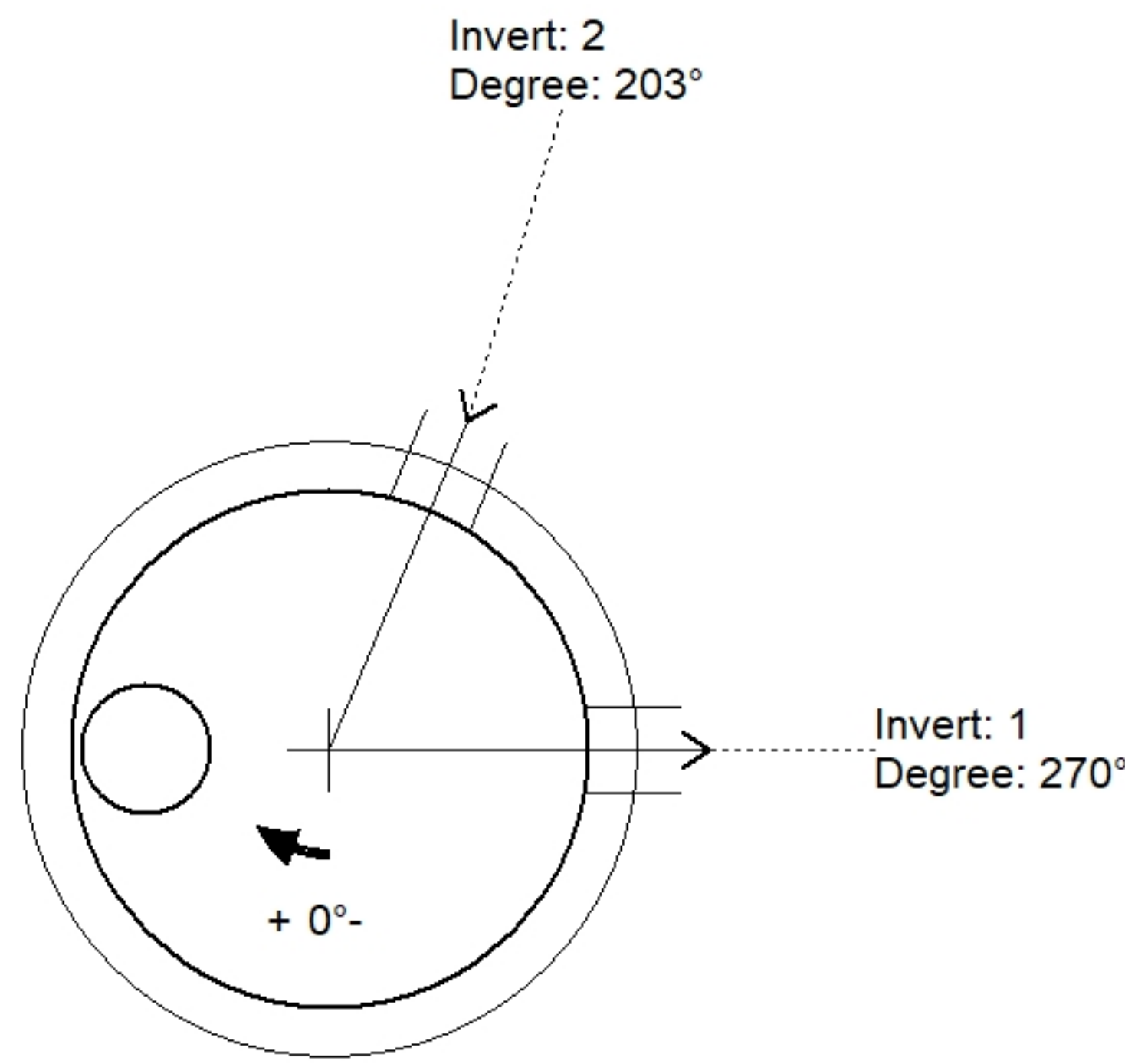
ICAST TO INSTALL THE INTERNALS

CONTECH'S LOGO AS WELL AS THE INLET AND THE OUTLET MUST BE STENCILED ONTO THE STRUCTURE

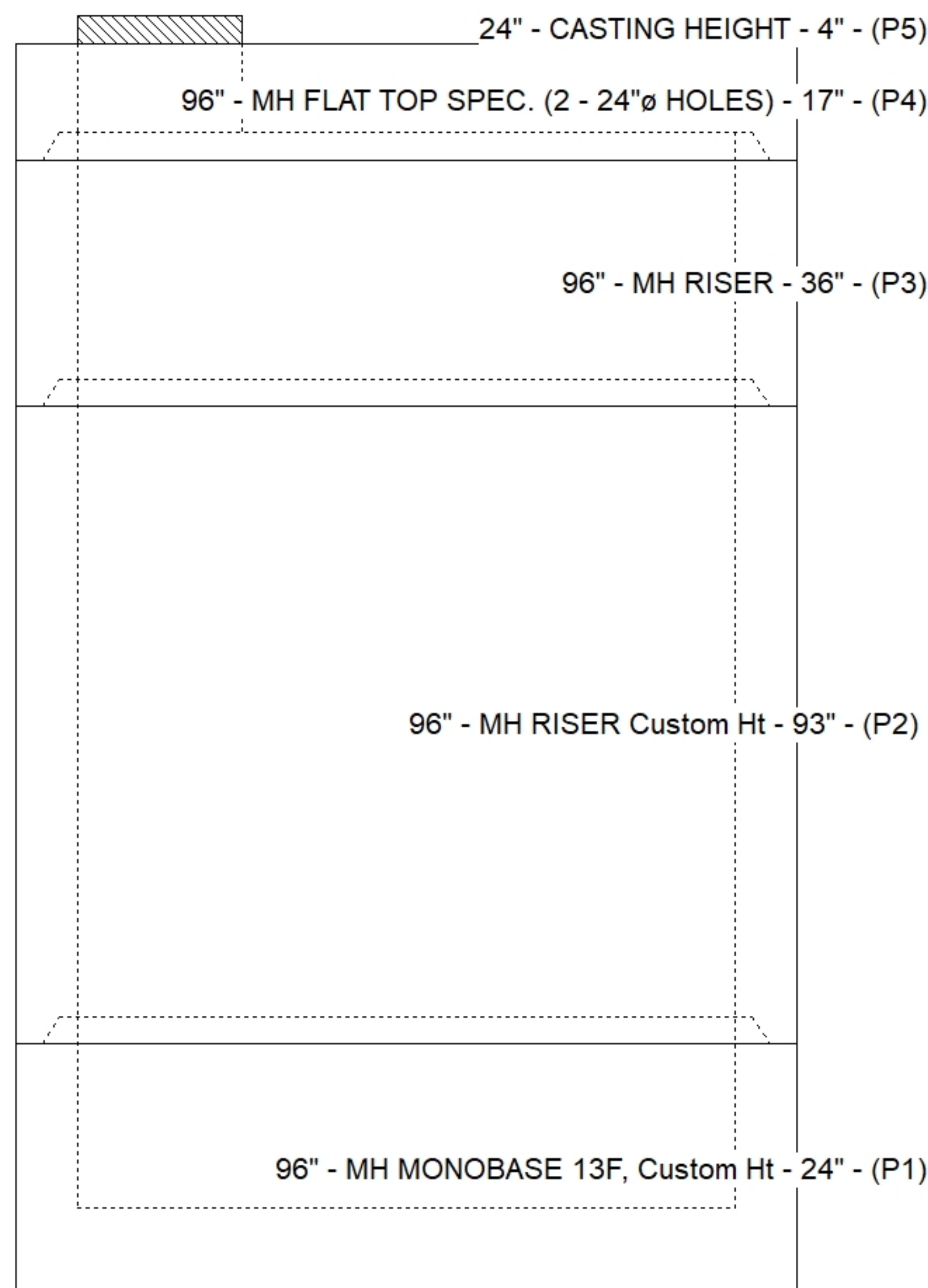
STRUCTURE SUMMARY:

P5) 24" - CASTING HEIGHT - 4"	0 lb
P4) 96" - MH FLAT TOP SPEC. (2 - 24"Ø HOLES) - 17"	10015 lb
P3) 96" - MH RISER - 36"	8968 lb
P2) 96" - MH RISER Custom Ht - 93"	22863 lb
P1) 96" - MH MONOBASE 13F, Custom Ht - 24"	17113 lb
1) ASSEMBLY REQUIRED	0 lb
1) CVSTENCILING	0 lb
3) 96" - Conseal CS-102 1.00"	0 lb
2) Hole - 16	0 lb

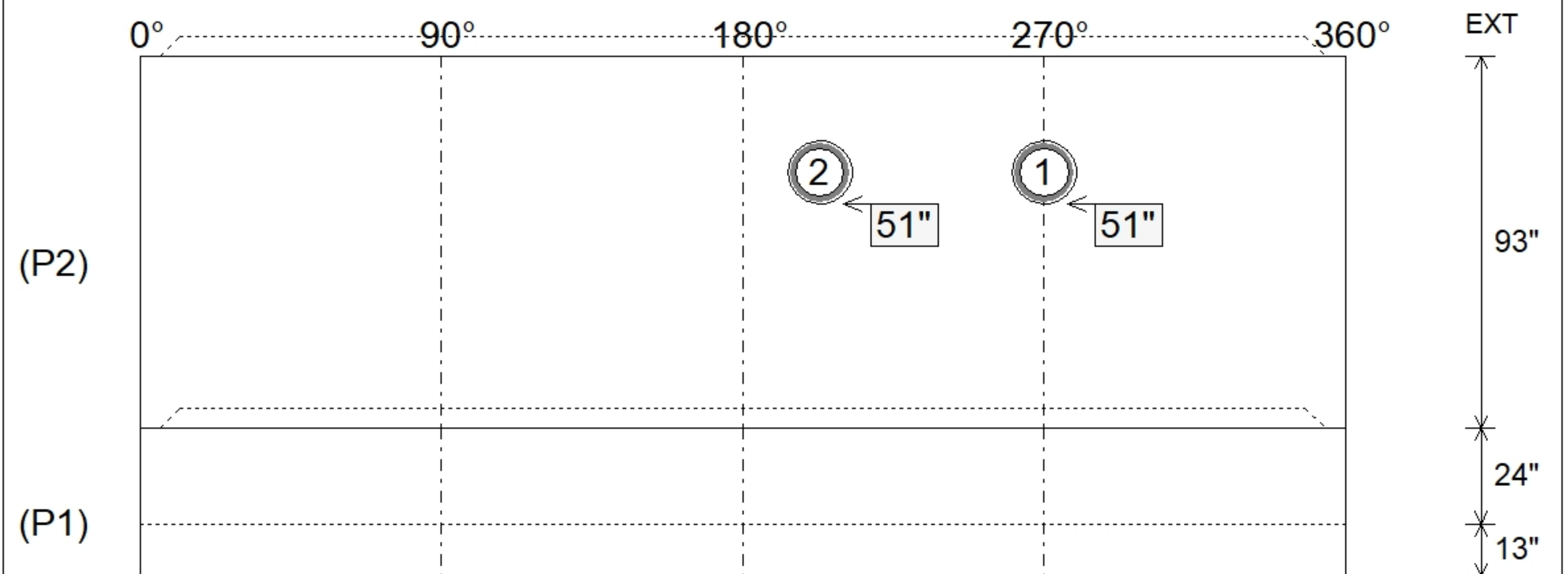
Structure Total:	58960 lb



Position	Elev	Angle	Pipe	Pipe OD	Hole	Connector	Up (")	Ref
Rim	740.87'							
Reducer								
Invert 1	732.5'	270°	12" ADS N-12	14.5"	16"	Hole 16	51"	P2
Invert 2	732.5'	203°	12" ADS N-12	14.5"	16"	Hole 16	51"	P2
Invert 3								
Invert 4								
Invert 5								
Invert 6								
Invert 7								
Invert 8								



Default - Interior Dimensions



Submittal Drawing
 1/12/2026 3:37:36 PM

SUBMITTAL
 APPROVED BY: