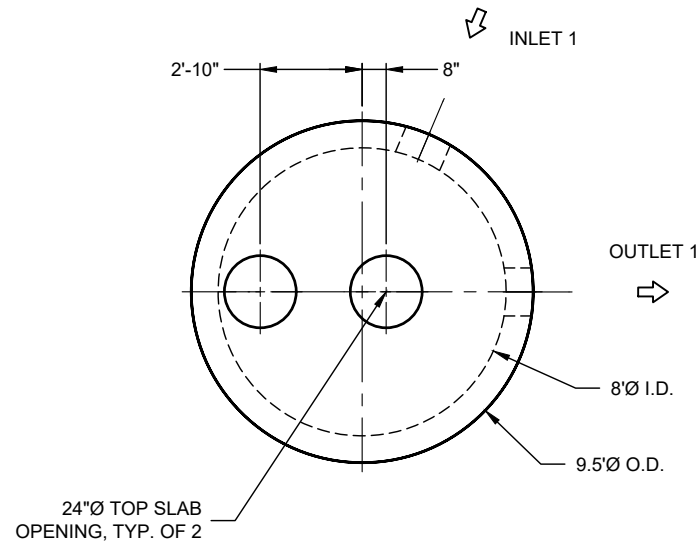
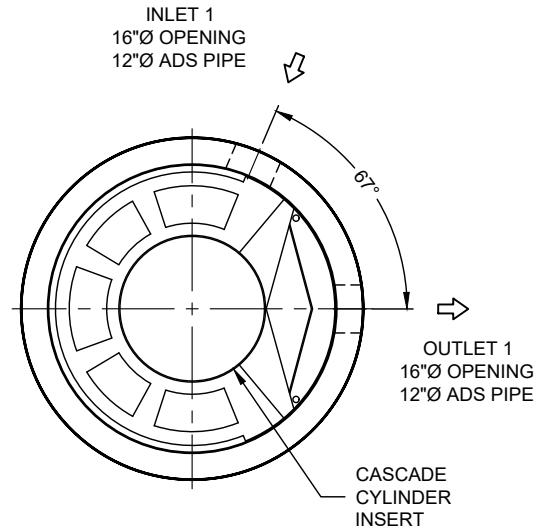


# 26-1029 - 873697 BJ's Wholesale Club



**PLAN VIEW**  
INTERNALS NOT SHOWN



**PLAN VIEW FOR PIPE ORIENTATION**  
TOP SLAB NOT SHOWN

## MATERIAL LIST

COUNT	DESCRIPTION	PART NUMBER	PROVIDED BY	INSTALLED BY
1	CS-8 CYLINDER INSERT, STD.	325-003952	CONTECH	PRECASTER
6	CS-8 ALUMINUM INSTALLATION BRACKETS	325-003971	CONTECH	PRECASTER
1	CS-8 HARDWARE KIT	325-003970	CONTECH	PRECASTER
1	SEALANT FOR JOINTS		PRECASTER	CONTRACTOR
2	24"Ø X 4" FRAME AND COVER, EJ #41600389, OR EQUIV.	325-000350	CONTECH	CONTRACTOR

## GENERAL NOTES

- DESIGN LOADING - AASHTO HS-20
- ALL PRECAST CONCRETE MANUFACTURED PARTS SHALL CONFORM TO ASTM C-478, WITH MINIMUM CONCRETE STRENGTH OF 4000 PSI AT 28 DAYS
- JOINT SEALANT SHALL CONFORM TO ASTM C-990 OR ASTM C-443
- GROUND WATER ELEVATION ASSUMED AT OUTLET INVERT
- MANUFACTURING TOLERANCE = +/- 1/2-INCH
- SOME HIDDEN LINES MAY BE OMITTED FOR CLARITY

## INSTALLATION NOTES

- PRECASTER TO SHIP ACCESS CASTINGS WITH STRUCTURE
- REFER TO CONTECH ASSEMBLY INSTRUCTIONS FOR ADDITIONAL INFORMATION.
- PRECASTER TO INSTALL INTERNAL COMPONENTS PRIOR TO SHIPPING UNLESS INSTRUCTED OTHERWISE BY CONTECH
- PIPE OPENINGS SHALL BE STENCILED "INLET" OR "OUTLET" AS APPROPRIATE
- APPLYING ALIGNMENT MARKS ON ALL PIECES OF MULTIPLE PIECE ASSEMBLIES IS ENCOURAGED
- IF STRUCTURE IS DELIVERED IN MULTIPLE SECTIONS, EACH PIECE SHALL BE LABELED WITH THE CONTECH PROJECT NUMBER, SEQUENCE NUMBER AND SITE DESIGNATION

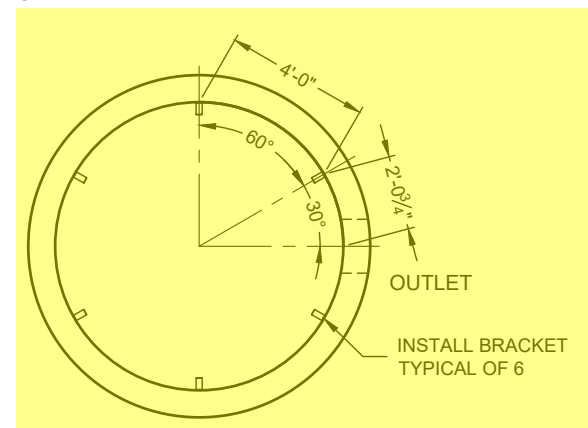
## SITE INFORMATION

RIM ELEV. = 740.87+/-  
 TOP OF STRUCTURE = 739.83  
 INLET PIPE 1 INVERT ELEV. = 732.50  
 INLET PIPE 1 DIAMETER AND MATERIAL = 12"Ø ADS  
 OUTLET PIPE INVERT ELEV. = 732.50  
 OUTLET PIPE DIAMETER AND MATERIAL = 12"Ø ADS  
 OUTSIDE BOTTOM OF STRUCTURE ELEV. = 724.58

## STRUCTURE WEIGHT

APPROXIMATE HEAVIEST PICK = 24500 LBS.  
 STRUCTURE IS DELIVERED IN 4 PIECES

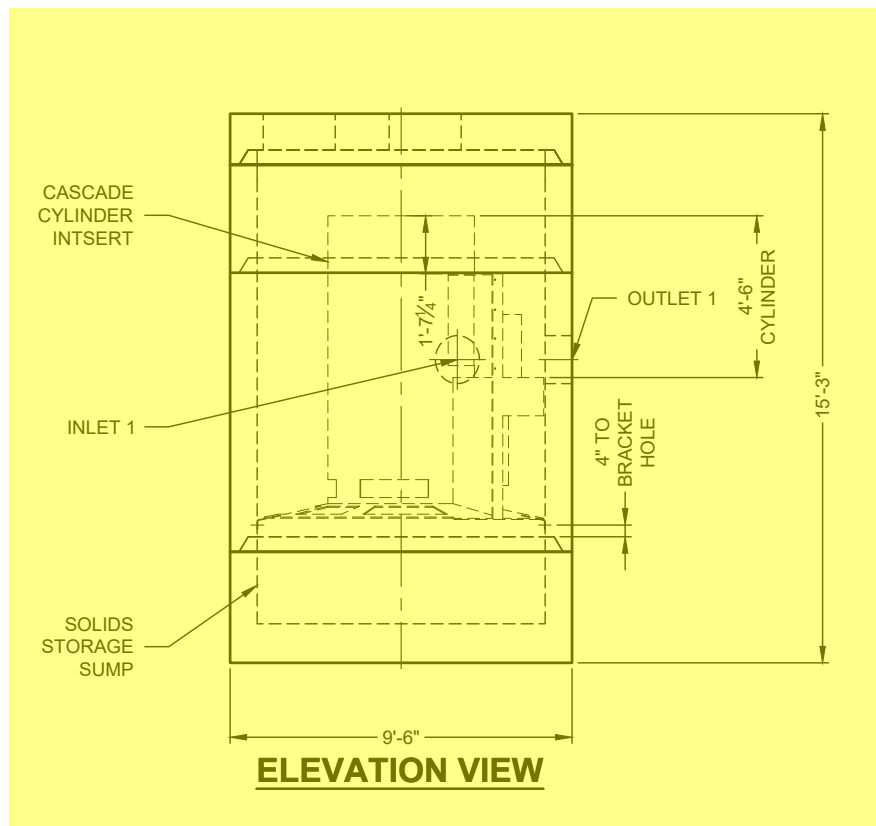
TOP SLAB = 11000 LBS.  
 RISER 2 = 10000 LBS. LBS.  
 CONTROL RISER = 24500 LBS.  
 BASE SECTION = 19000 LBS.



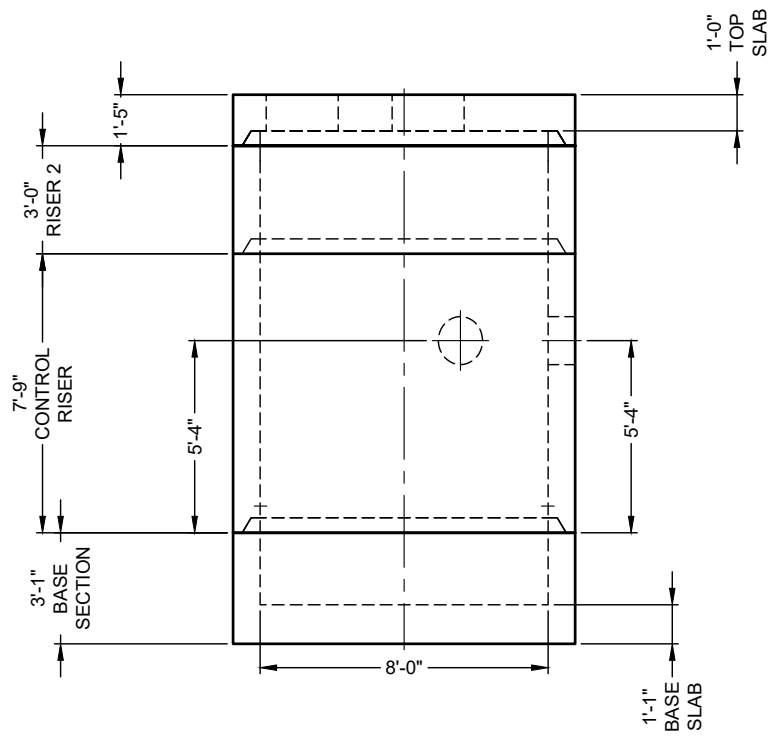
**SUPPORT BRACKET LAYOUT PLAN VIEW**

**10-CS-8**  
**ICAST to fully pre-assemble internal materials prior to shipment.**

SEE INSTALLATION NOTE A



**ELEVATION VIEW**



**PRECAST COMPONENTS**  
INTERNALS NOT SHOWN

ICAST  
5888 / 757440  
LAYOUT 1A  
30.81TS

CONTECH  
**FABRICATION**  
DRAWING

The design and information shown on this drawing is the property of CONTECH Construction Products, Inc. or one of its affiliated companies ("CONTECH"). Neither this drawing, nor any part thereof, may be used, reproduced, or transmitted in any form or by any means, electronic or mechanical, including photocopying, recording, or by any information storage and retrieval system, without the prior written consent of CONTECH. Failure to comply with these terms and conditions shall constitute a breach of contract and shall result in CONTECH expressly disclaiming any liability or responsibility for such use.

If discrepancies between the supplied information upon which the drawing is based and actual field conditions are encountered as site work progresses, these are to be resolved by the user. CONTECH expressly disclaims any liability for designs based on missing, incomplete or inaccurate information supplied by others.

MARK	DATE	BY	REVISION DESCRIPTION

CS-8 - 873697-10  
 BJ'S - WHOLESALE CLUB - FRANKFORT  
 FRANKFORT, KY  
 SITE DESIGNATION: S123

**CONTECH**  
 ENGINEERED SOLUTIONS LLC  
 A CONTECH COMPANY  
 810 Centre Pointe Dr., Suite 400, West Chester, OH 45380  
 800.338.1122 513.645.7000 513.645.7833 FAX  
 FOR PATENT INFORMATION, GO TO www.contech.com/FP

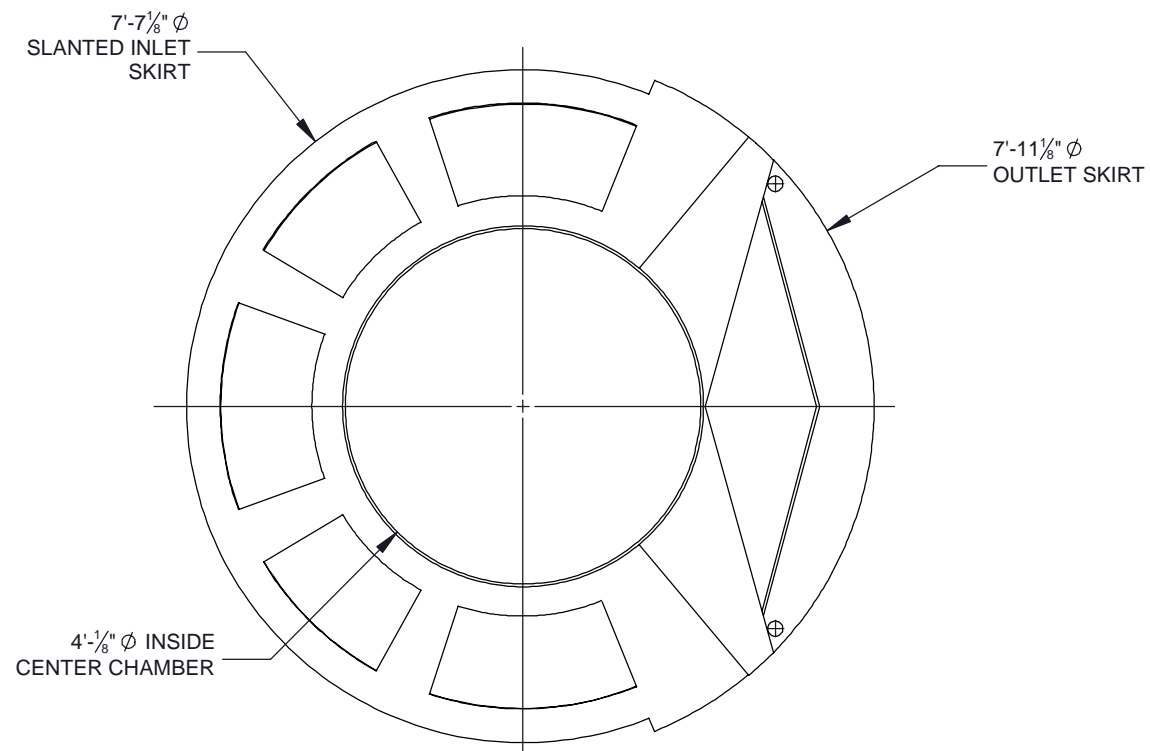
**CASCADE separator**

DATE: 12/29/2025

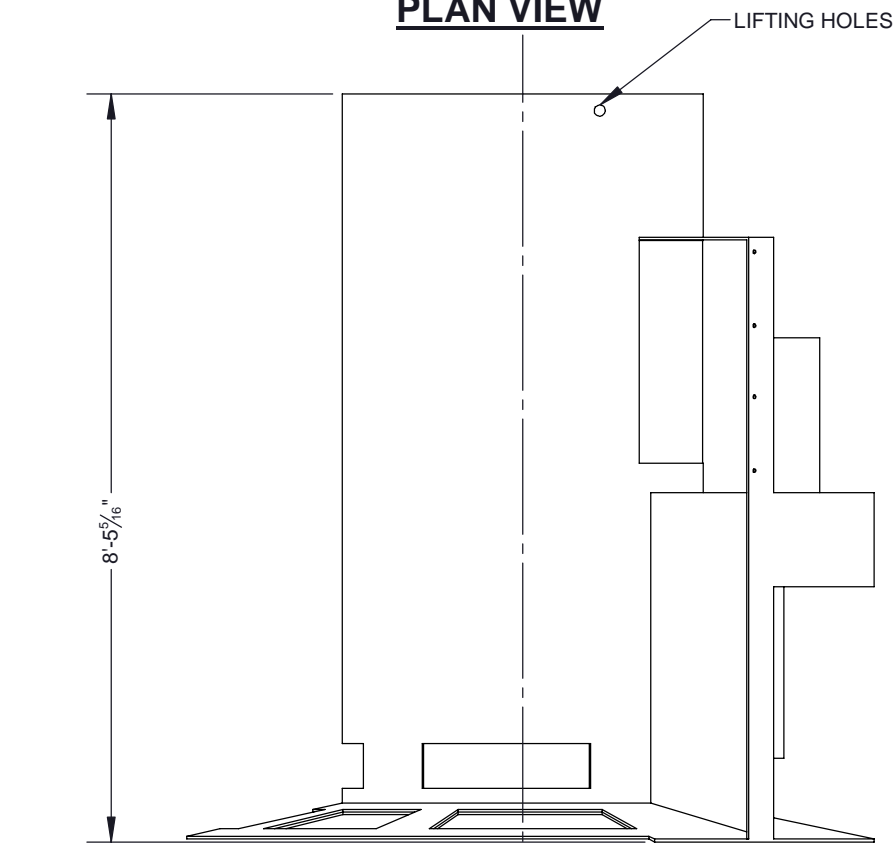
DESIGNED: MDB	DRAWN: MDB
CHECKED: CEU	APPROVED: MDB
PROJECT No.: 873697	SEQUENCE No.: 10

SHEET: 1 OF 1

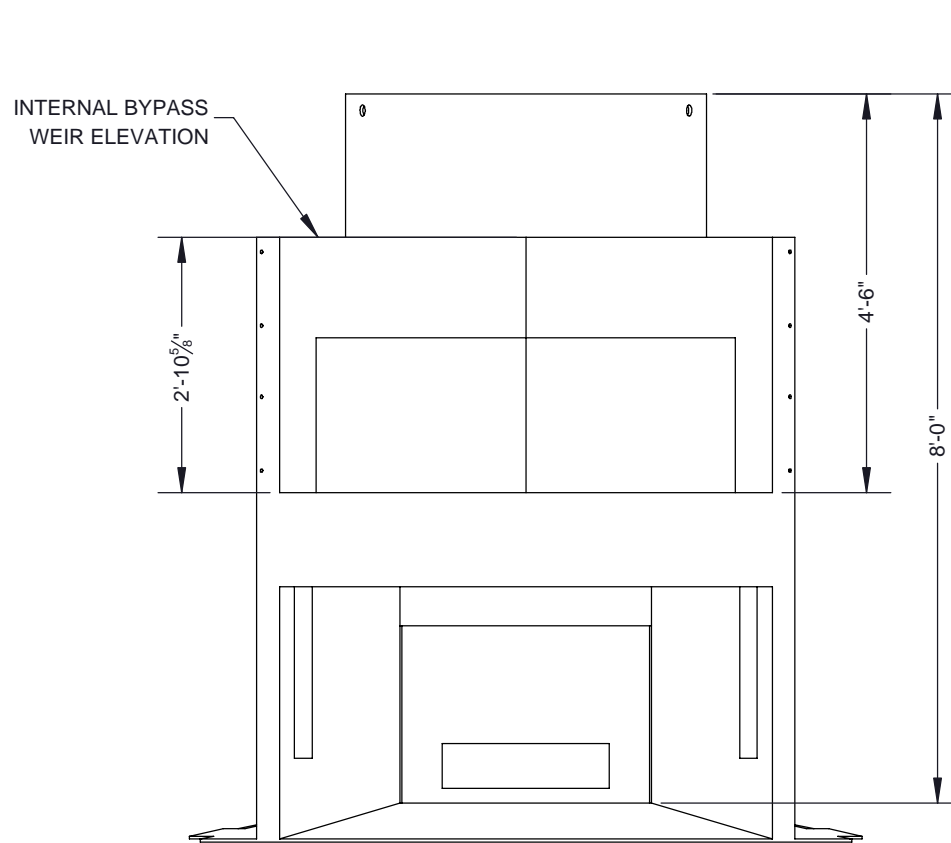
I:\QUIKRETE\NETCONTECH\HMER\PROJECT\TACTIVE\873697\873697-10-CS-8-CONF.ABD.DWG 12/29/2025 4:35 PM



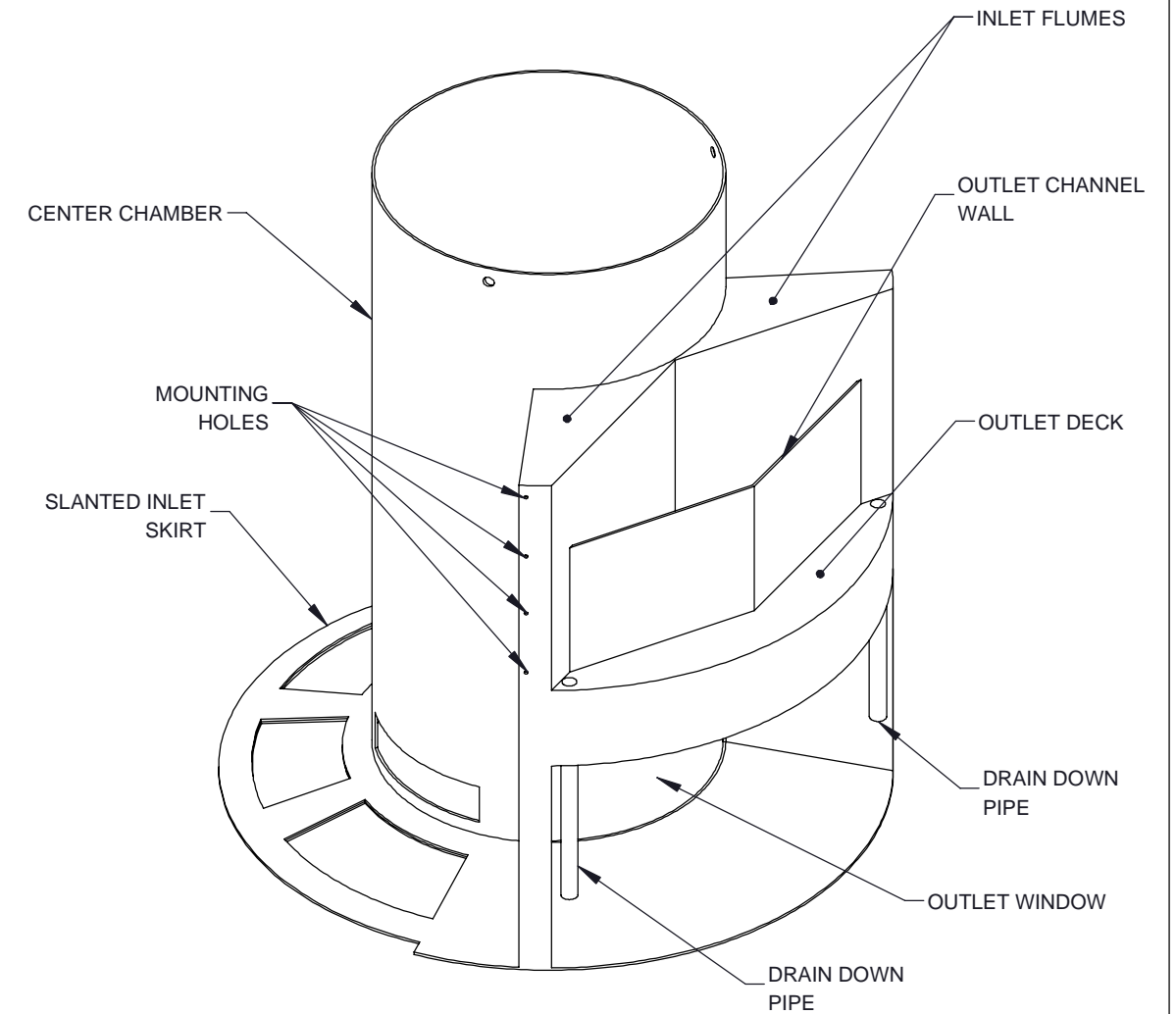
**PLAN VIEW**



**ELEVATION VIEW**



**ELEVATION VIEW: OUTLET SIDE**



**ISOMETRIC VIEW**

NOTES:  
1. SEE CASCADE SEPARATOR INSTALLATION GUIDE FOR ADDITIONAL INFORMATION

The design and information shown on this drawing is provided as a service to the project owner, engineer and contractor by Contech Engineered Solutions LLC, or one of its affiliated companies ("Contech"). Neither this drawing, nor any part thereof, may be used, reproduced or modified in any manner without the prior written consent of Contech. Failure to comply is done at the user's own risk and Contech expressly disclaims any liability or responsibility for such use.

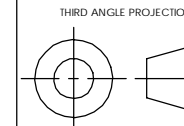
If discrepancies between the supplied information upon which the drawing is based and actual field conditions are encountered as site work progresses, these discrepancies must be reported to Contech immediately for re-evaluation of the design. Contech accepts no liability for designs based on missing, incomplete or inaccurate information supplied by others.

**CASCADE**  
separator™

**CONTECH**  
ENGINEERED SOLUTIONS LLC  
www.ContechES.com

9025 Centre Pointe Dr., Suite 400, West Chester, OH 45069  
800-338-1122 513-645-7000 513-645-7993 FAX

REFERENCE DETAIL  
INTERNALS CS-8  
CASCADE SEPARATOR



UNLESS OTHERWISE SPECIFIED  
DIMENSIONS ARE IN INCHES

TOLERANCES:  
FRACTIONAL ± 1/16  
ANGLES ± 1 DEGREE  
TWO PLACE DECIMAL ± 0.06  
THREE PLACE DECIMAL ± 0.030

PART NUMBER: 325-003952	
APPROVED BY: M. BROOKS	DRAWN BY: J. BELL
APPROVED BY DATE: 2021.10.21	DRAWN BY DATE: 2021.09.15
SCALE: N/A	REV: C
SHEET 1 OF 1	