

Job Name: 26-1029 - 873697 BJ's Wholesale Club  
 Job Location: Frankfort, KY  
 Contractor: Contech Engineering Solutions

Plant: Beaver Dam  
 1/9/2026 8:57:09 AM

Tech: J. Coppage  
 PC: T. Sekula



**Structure ID: 10-CS-8**

**P2 MH096RSVF**

**MH RISER Custom Ht**

- P5) 24" - CASTING HEIGHT - 4"
- P4) 96" - MH FLAT TOP SPEC. (2 - 24"Ø HOLES) - 17"
- P3) 96" - MH RISER - 36"
- P2) 96" - MH RISER Custom Ht - 93"
- P1) 96" - MH MONOBASE 13F, Custom Ht - 24"
- 1) ASSEMBLY REQUIRED
- 1) CVSTENCILING
- 3) 96" - Conseal CS-102 1.00"
- 2) Hole - 16

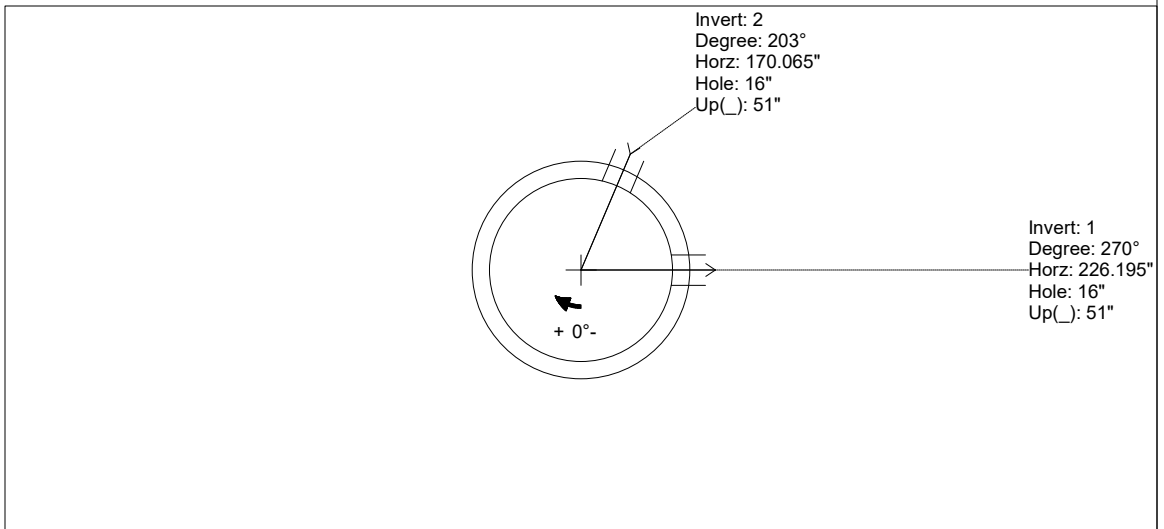
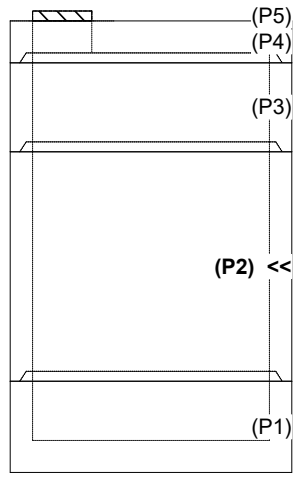
Structure Notes:  
 (4" TALL CASTINGS PROVIDED BY OTHERS)  
 LIFTING ANCHORS TO BE INSTALLED ON THE OUTSIDE OF THE STRUCTURE  
 ICAST TO INSTALL THE INTERNALS  
 CONTECH'S LOGO AS WELL AS THE INLET AND THE OUTLET MUST BE STENCILED ONTO THE STRUCTURE

Structure Total: 58960 lb

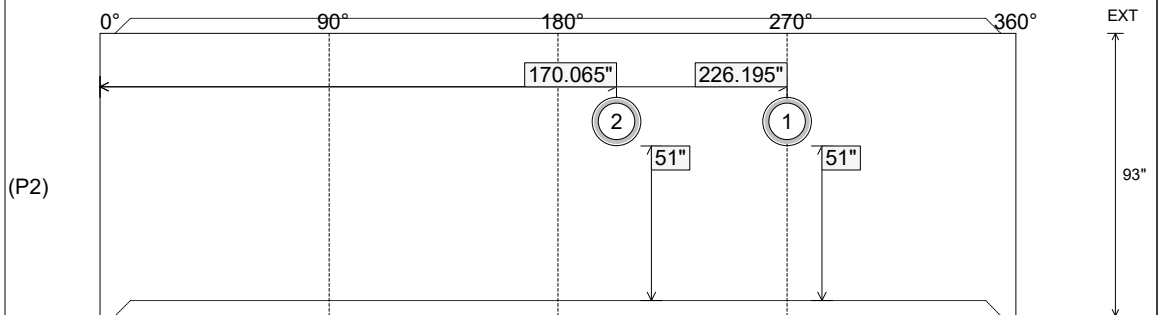
Rim: 740.87' Rim to Invert: 8.37' Slack: 8.44" Sump: 82" Step Position:

Position	Elev	Angle	Ext. (cw)	Pipe	Pipe OD	Connector	Hole	Horz Size	Up ( )	Offset
Invert 1	732.5'	270°	268.606"	12" ADS N-12	14.5"	Hole 16	16"	16.075"	51"	0"
Invert 2	732.5'	203°	201.952"	12" ADS N-12	14.5"	Hole 16	16"	16.075"	51"	0"
Invert 3										
Invert 4										
Invert 5										
Invert 6										
Invert 7										
Invert 8										

**RIGHT-SIDE UP VIEW (int. dimensions)**



**INSIDE WALL DIMENSIONS**



Coating (Int): Coating (Ext):	Seam Up: Tongue Seam Dn: Groove	Wall Thickness: 9" Floor Height: 0"	Height (Int): 93" Height (Ext): 93"	Weight (Net): 22863 lb Volume (Net): 5.84cu.yd
----------------------------------	------------------------------------	--	--	---