

Job Name: 26-1005 KPDI Water & Sewer Project
Job Location: Albany, KY
Contractor: Twin States Utilities, Inc.

PC: E. Bradley
 TECH: S. Felletter
 Plant: Beaver Dam



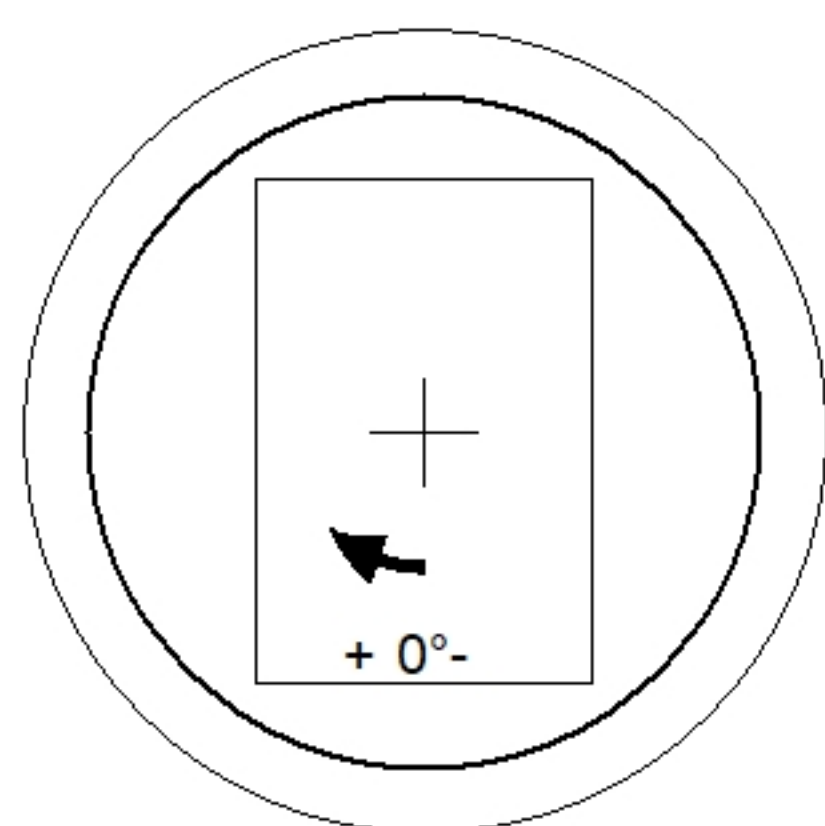
Structure ID: **61005 (2)**
 Spec: Sanitary Rim: 996'
 Type: Wet Well Invert: 996'
 Size: 72" Sump: 102"
 Rim to Invert: 0' Floor (Top): 987.5'
 Floor Height: 8" Floor (Bot): 986.833'
 Overall Height: 9.167'
 Slack: 0"

Structure Notes:
 1. PER ASTM C478 SPECIFICATIONS.
 2. CONCRETE = 4,500 PSI AT 28 DAYS.
 3. NO STEPS / NO INVERT CHANNEL.
 4. HALLIDAY HATCH W1S 36X54 W/ SAFETY GRATING BY ICAST. CAST-IN.
 5. INTERIOR COATING TO BE 2 COATS OF TNE MEC SERIES 104 H.S. EPOXY. APPLIED BY ICAST BEFORE DELIVERY.
 6. 6" VENT PIPE CAST INTO TOP SLAB.
 7. ALL OPENINGS TO BE CORED IN THE FIELD BY OTHERS.

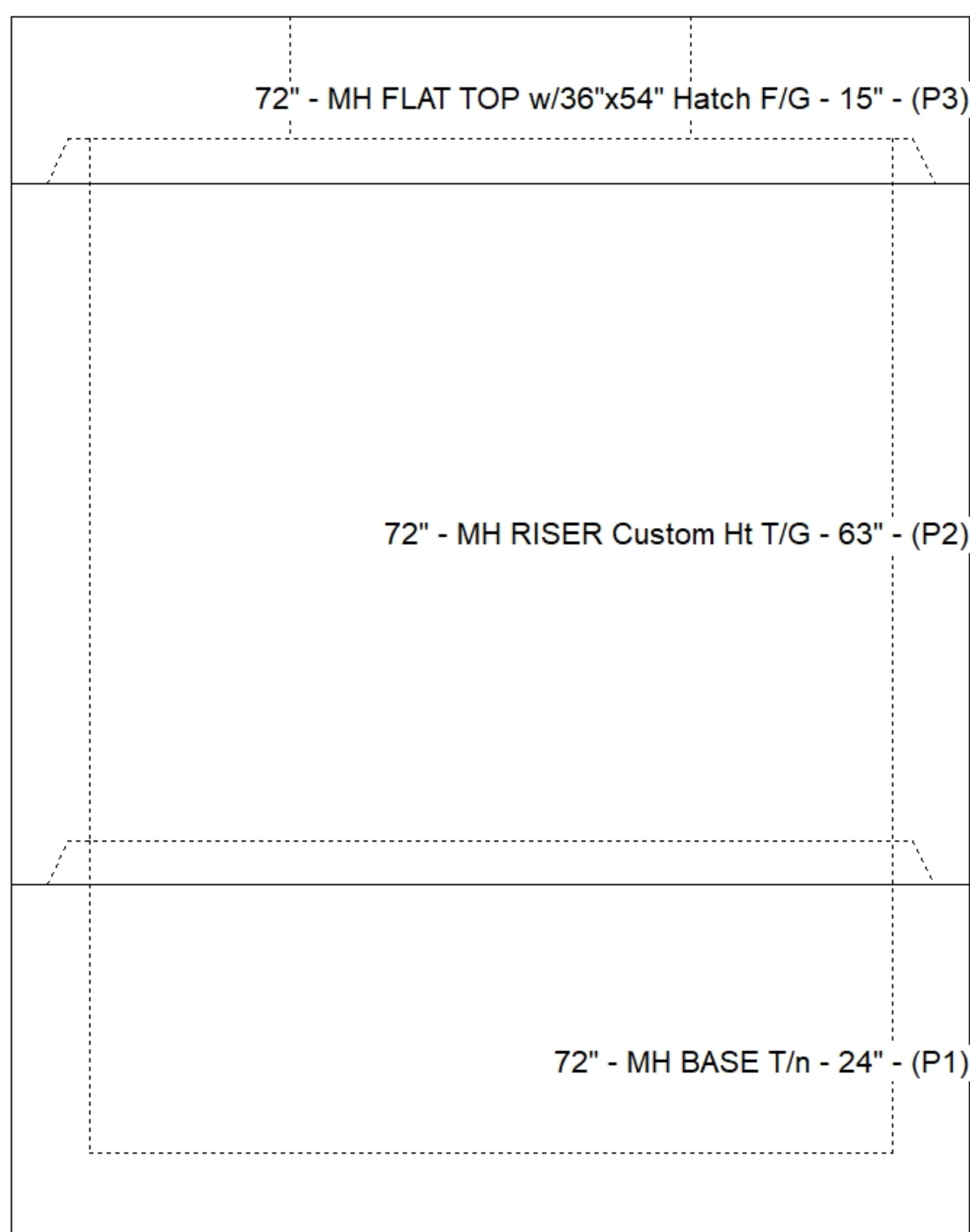
REINFORCING PER ASTM A615 (GRADE 60).
 - TOP SLAB (As .31) #5 BARS AT 6" C.C.E.W.
 - RISER/WALLS (As .12)
 - FLOOR (As .37) #5 BARS AT 10" C.C.E.W.

STRUCTURE SUMMARY:

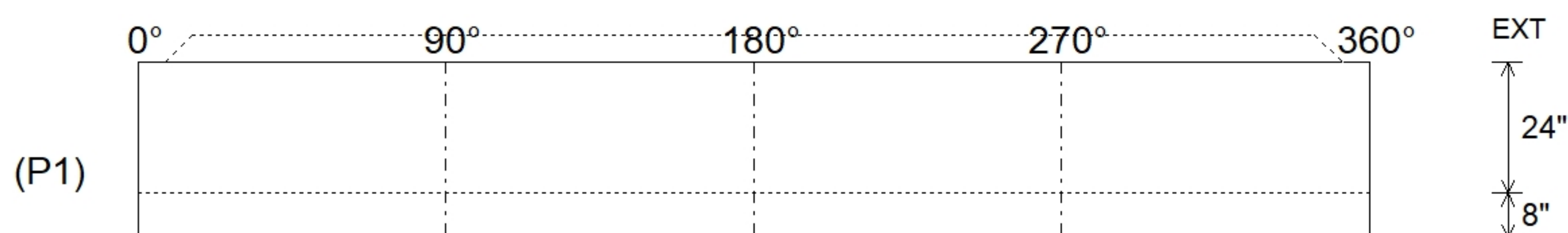
P3)	72" - MH FLAT TOP w/36"x54" Hatch F/G - 15"	3625 lb
P2)	72" - MH RISER Custom Ht T/G - 63"	9184 lb
P1)	72" - MH BASE T/n - 24"	7398 lb
1)	HATCH (Alum.) - HALLIDAY W1S 36"x54"	107 lb
1)	JOINT WRAP - 12" WD x 072" MAC WRAP	0 lb
1)	SPECIAL Internal Coating	0 lb
2)	72" - Conseal CS-231 1.00" (Double)	0 lb
	204.99 SqFt) Tnemec HS Epoxy Series 104 [INT]	0 lb
	Structure Total:	20315 lb



Position	Elev	Angle	Pipe	Pipe OD	Hole	Connector	Up ()	Ref
Rim	996'							
Reducer								
Invert 1								
Invert 2								
Invert 3								
Invert 4								
Invert 5								
Invert 6								
Invert 7								
Invert 8								



Default - Interior Dimensions



Submittal Drawing
 2/9/2026 8:40:58 AM

SUBMITTAL
 APPROVED BY: