

**Job Name: 25-4789 Garrison Gardens Utilities**  
**Job Location: Bowling Green, KY**  
**Contractor: Scott & Ritter, Inc.**

PC: C. Goff  
 TECH: S. Felletter  
 Plant: Beaver Dam

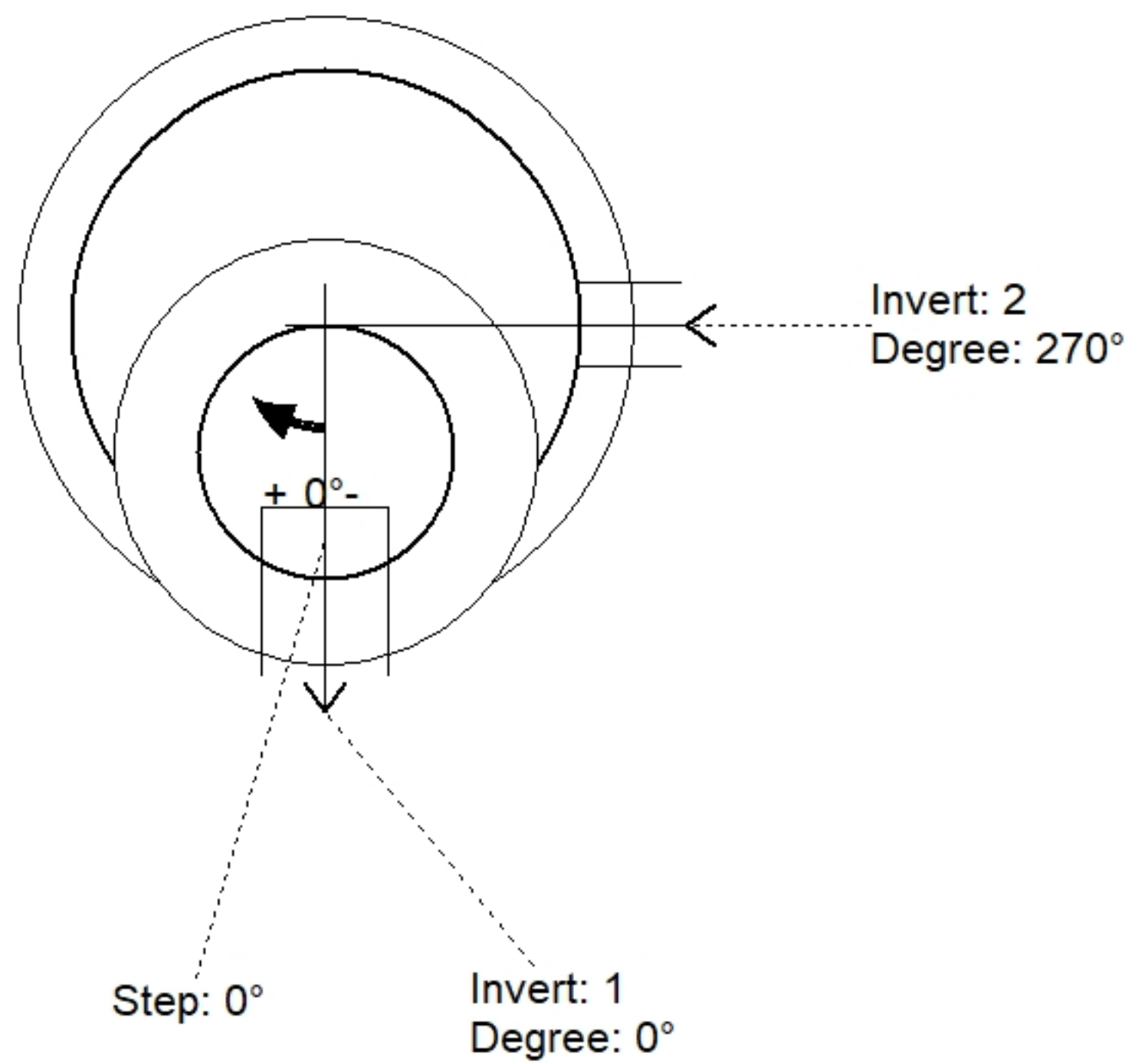


Structure ID: **san7-5 (27)**  
 Spec: Sanitary Rim: 525.55'  
 Type: SAN.MH Invert: 521.79' Sump: 2"  
 Size: 48" Rim to Invert: 3.76' Floor (Top): 521.623'  
 Floor (Bot): 521.123'  
 Overall Height: 4.417'  
 Slack: 0.12"

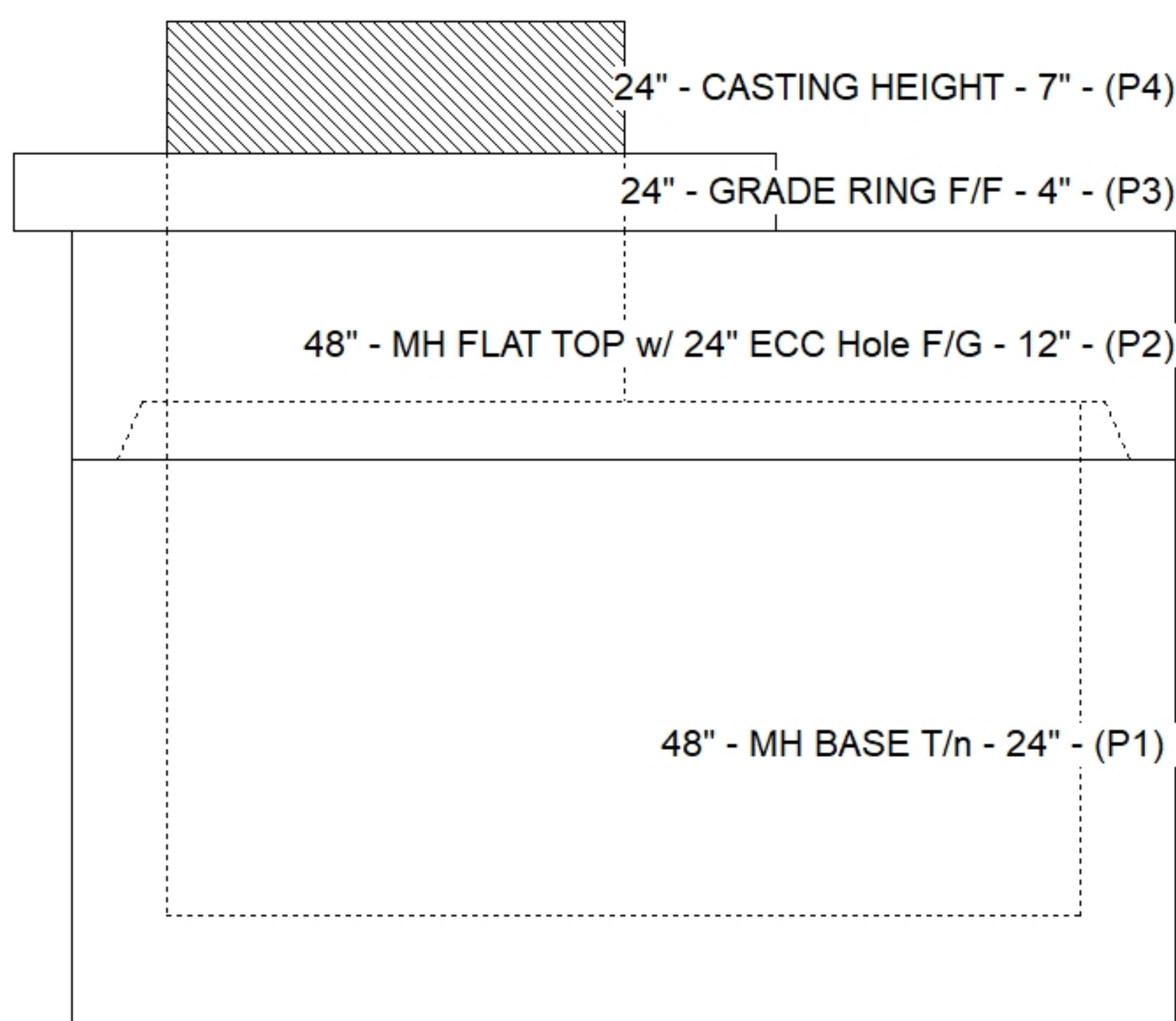
- Structure Notes:**
1. HOE MC-375 F/C SANITARY PROVIDED BY ICAST
  2. PER ASTM C478 SPECIFICATIONS.
  3. CONCRETE = 4,000 PSI AT 28 DAYS.
  4. REINFORCING PER ASTM A615 (GRADE 60).  
 - TOP SLAB (As .62) #5 BARS AT 6" C.C.E.W.  
 - RISER/WALLS (As .12)  
 - FLOOR (As .31) #5 BARS AT 12" C.C.E.W.
  5. DOUBLE PIPE BANDS REQUIRED FOR ALL BOOTS.

**STRUCTURE SUMMARY:**

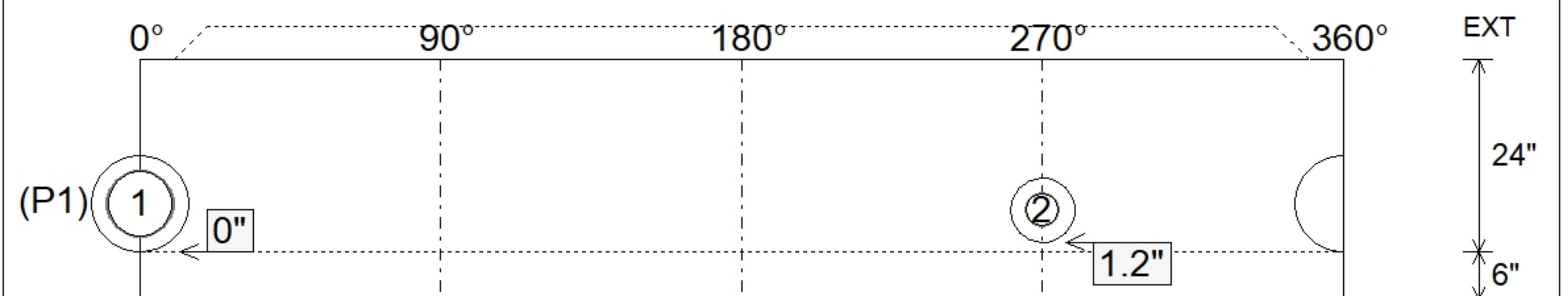
P4) 24" - CASTING HEIGHT - 7"	0 lb
P3) 24" - GRADE RING F/F - 4"	270 lb
P2) 48" - MH FLAT TOP w/ 24" ECC Hole F/G - 12"	1561 lb
P1) 48" - MH BASE T/n - 24"	2938 lb
1) 48" - MH INVERT CHANNEL - FULL HEIGHT	1440 lb
1) Conseal CS-102 1.00" (Single)	0 lb
1) JOINT WRAP - 0.065"x6"x50' CONSEAL CS212	0 lb
1) JOINT WRAP PRIMER - CONSEAL CS-75 (1 gal.)	0 lb
1) CASTING - HOE MC-375 F/C Sanitary	271 lb
1) 48" - Conseal CS-102 1.00"	0 lb
1) PSX - 12-08 NYLO	8 lb
1) PSX - 8QRS-S NYLO	6 lb
1) MH Step ML-10-TDS-NCR - 10"	0 lb
<b>Structure Total:</b>	<b>6494 lb</b>



Position	Elev	Angle	Pipe	Pipe OD	Hole	Connector	Up (")	Ref
Rim	525.55'							
Reducer								
Invert 1	521.79'	0°	8" PVC SDR26	8.5"	12"	PSX 12-08 NYLO	0"	P1
Invert 2	521.89'	270°	4" PVC SDR26	4.25"	8"	PSX 8QRS-S NYLO	1.2"	P1
Invert 3								
Invert 4								
Invert 5								
Invert 6								
Invert 7								
Invert 8								



**Default - Interior Dimensions**



Submittal Drawing  
 4/20/2026 8:11:19 AM

SUBMITTAL  
 APPROVED BY: