

Job Name: 25-4789 Garrison Gardens Utilities
Job Location: Bowling Green, KY
Contractor: Scott & Ritter, Inc.

PC: C. Goff
 TECH: S. Felletter
 Plant: Beaver Dam



Structure ID: **san5-5 (21)**

Spec: Sanitary
 Type: SAN.MH
 Size: 48"

Rim: 523.42'
 Invert: 519.69'
 Rim to Invert: 3.73'

Sump: 2"
 Floor (Top): 519.523'
 Floor Height: 6"

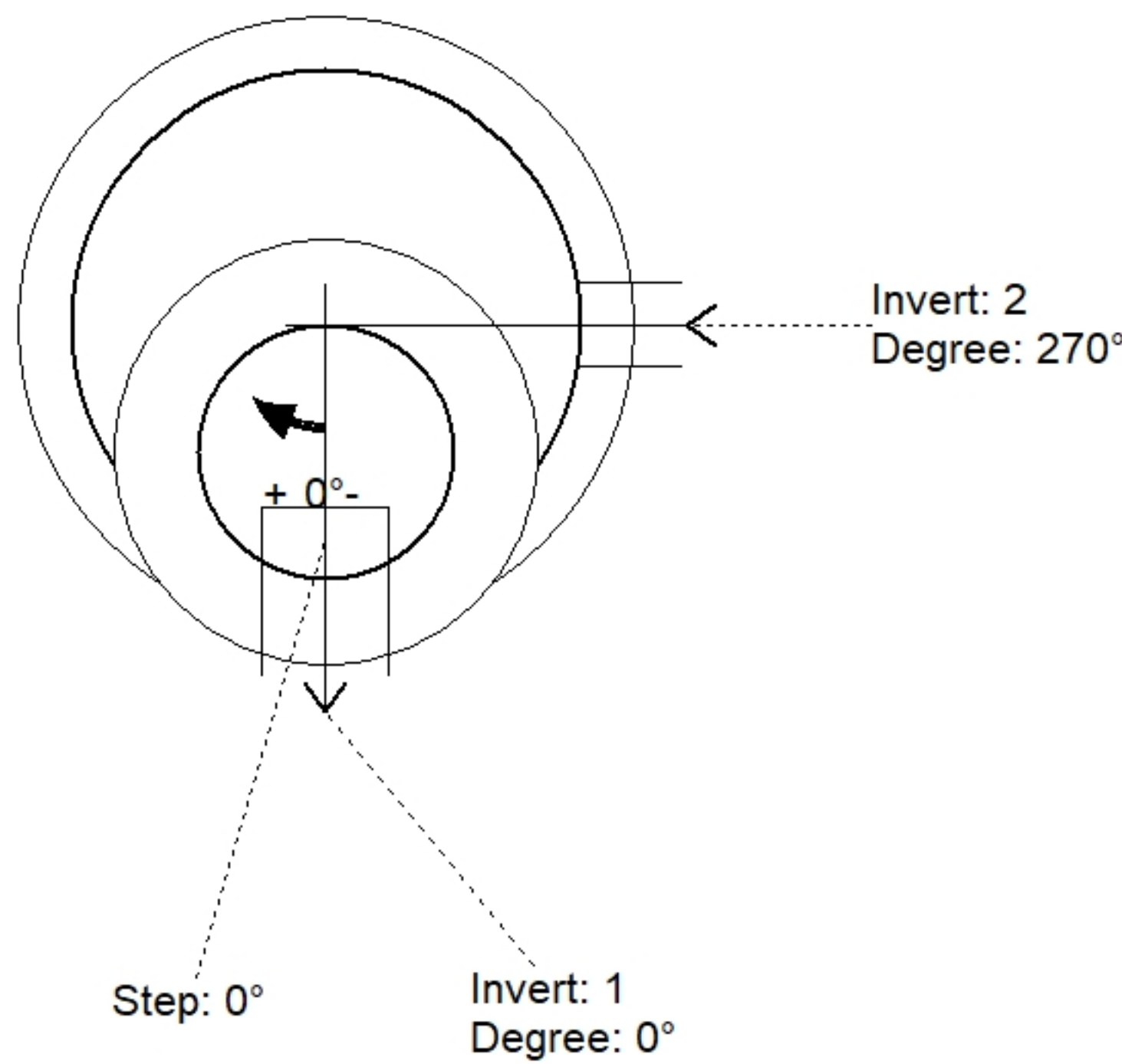
Floor (Bot): 519.023'
 Overall Height: 4.333'
 Slack: 0.76"

Structure Notes:

1. HOE MC-375 F/C SANITARY PROVIDED BY ICAST
2. PER ASTM C478 SPECIFICATIONS.
3. CONCRETE = 4,000 PSI AT 28 DAYS.
4. REINFORCING PER ASTM A615 (GRADE 60).
 - TOP SLAB (As .62) #5 BARS AT 6" C.C.E.W.
 - RISER/WALLS (As .12)
 - FLOOR (As .31) #5 BARS AT 12" C.C.E.W.
5. DOUBLE PIPE BANDS REQUIRED FOR ALL BOOTS.

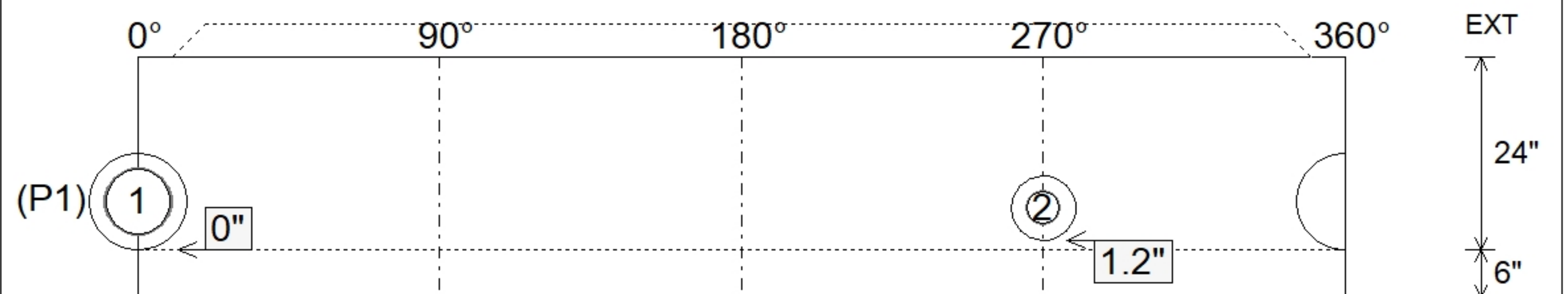
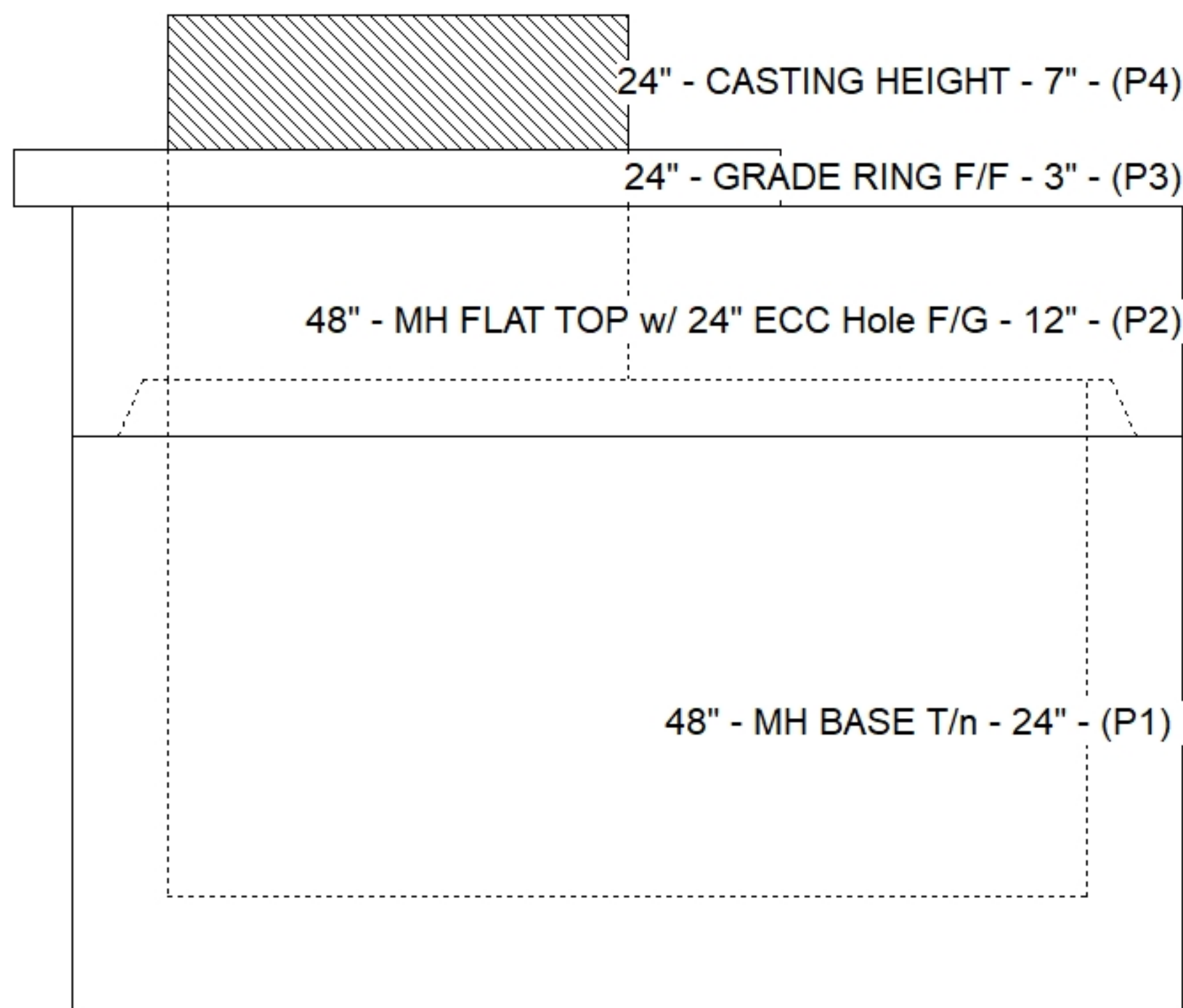
STRUCTURE SUMMARY:

P4) 24" - CASTING HEIGHT - 7"	0 lb
P3) 24" - GRADE RING F/F - 3"	202 lb
P2) 48" - MH FLAT TOP w/ 24" ECC Hole F/G - 12"	1561 lb
P1) 48" - MH BASE T/n - 24"	2938 lb
1) 48" - MH INVERT CHANNEL - FULL HEIGHT	1440 lb
1) Conseal CS-102 1.00" (Single)	0 lb
1) JOINT WRAP - 0.065"x6"x50' CONSEAL CS212	0 lb
1) JOINT WRAP PRIMER - CONSEAL CS-75 (1 gal.)	0 lb
1) CASTING - HOE MC-375 F/C Sanitary	271 lb
1) 48" - Conseal CS-102 1.00"	0 lb
1) PSX - 12-08 NYLO	8 lb
1) PSX - 8QRS-S NYLO	6 lb
1) MH Step ML-10-TDS-NCR - 10"	0 lb
Structure Total:	6427 lb



Position	Elev	Angle	Pipe	Pipe OD	Hole	Connector	Up (")	Ref
Rim	523.42'							
Reducer								
Invert 1	519.69'	0°	8" PVC SDR26	8.5"	12"	PSX 12-08 NYLO	0"	P1
Invert 2	519.79'	270°	4" PVC SDR26	4.25"	8"	PSX 8QRS-S NYLO	1.2"	P1
Invert 3								
Invert 4								
Invert 5								
Invert 6								
Invert 7								
Invert 8								

Default - Interior Dimensions



Submittal Drawing
 4/20/2026 8:11:17 AM

SUBMITTAL
 APPROVED BY: