

Job Name: 25-4789 Garrison Gardens Utilities  
 Job Location: Bowling Green, KY  
 Contractor: Scott & Ritter, Inc.

Plant: Beaver Dam  
 4/16/2026 10:58:15 AM

Tech: S. Felletter  
 PC: C. Goff



**Structure ID: san4-1 (16)**

**P1 MH048BA24**

**MH BASE T/n**

|   |                |
|---|----------------|
| P4) 24" - CASTING HEIGHT - 7"                   | 0 lb           |
| P3) 24" - GRADE RING F/F - 3"                   | 202 lb         |
| P2) 48" - MH FLAT TOP w/ 24" ECC Hole F/G - 12" | 1561 lb        |
| P1) 48" - MH BASE T/n - 24"                     | 2938 lb        |
| 1) 48" - MH INVERT CHANNEL - FULL HEIGHT        | 1440 lb        |
| 1) Conseal CS-102 1.00" (Single)                | 0 lb           |
| 1) JOINT WRAP - 0.065"x6"x50' CONSEAL CS212     | 0 lb           |
| 1) JOINT WRAP PRIMER - CONSEAL CS-75 (1 gal.)   | 0 lb           |
| 1) CASTING - HOE MC-375 F/C Sanitary            | 271 lb         |
| 1) 48" - Conseal CS-102 1.00"                   | 0 lb           |
| 1) PSX - 12-08 NYLO                             | 8 lb           |
| 1) PSX - 8QRS-S NYLO                            | 6 lb           |
| 1) MH Step ML-10-TDS-NCR - 10"                  | 0 lb           |
| <b>Structure Total:</b>                         | <b>6427 lb</b> |

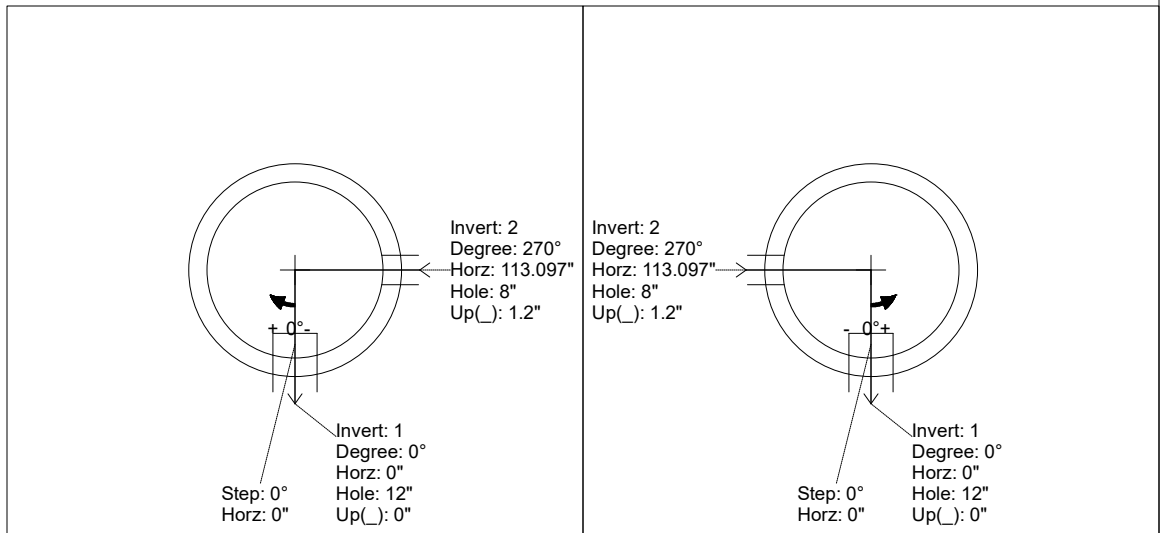
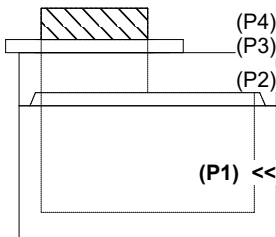
- Structure Notes:**
- HOE MC-375 F/C SANITARY PROVIDED BY ICAST
  - PER ASTM C478 SPECIFICATIONS.
  - CONCRETE = 4,000 PSI AT 28 DAYS.
  - REINFORCING PER ASTM A615 (GRADE 60).  
 - TOP SLAB (As .62) #5 BARS AT 6" C.C.E.W.  
 - RISER/WALLS (As .12)  
 - FLOOR (As .31) #5 BARS AT 12" C.C.E.W.
  - DOUBLE PIPE BANDS REQUIRED FOR ALL BOOTS.

Rim: 509.21' Rim to Invert: 3.72' Slack: 0.64" Sump: 2" Step Position: 0°

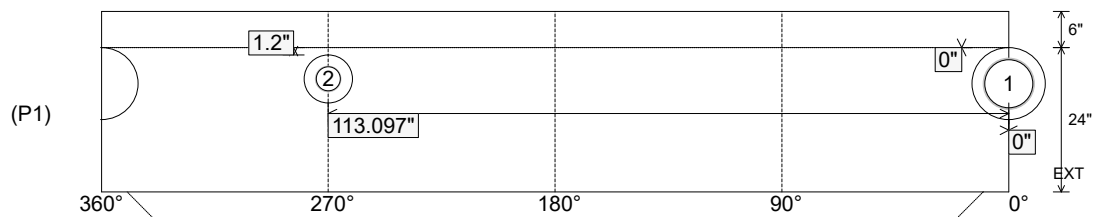
| Position | Elev    | Angle | Ext. (cw) | Pipe         | Pipe OD | Connector       | Hole | Horz Size | Up ( ) | Offset |
|----------|---------|-------|-----------|--------------|---------|-----------------|------|-----------|--------|--------|
| Invert 1 | 505.49' | 0°    | 0"        | 8" PVC SDR26 | 8.5"    | PSX 12-08 NYLO  | 12"  | 12.129"   | 0"     | 0"     |
| Invert 2 | 505.59' | 270°  | 136.659"  | 4" PVC SDR26 | 4.25"   | PSX 8QRS-S NYLO | 8"   | 8.038"    | 1.2"   | 0"     |
| Invert 3 |         |       |           |              |         |                 |      |           |        |        |
| Invert 4 |         |       |           |              |         |                 |      |           |        |        |
| Invert 5 |         |       |           |              |         |                 |      |           |        |        |
| Invert 6 |         |       |           |              |         |                 |      |           |        |        |
| Invert 7 |         |       |           |              |         |                 |      |           |        |        |
| Invert 8 |         |       |           |              |         |                 |      |           |        |        |

RIGHT-SIDE UP VIEW (int. dimensions)

UPSIDE-DOWN VIEW (int. dimensions)



INSIDE WALL DIMENSIONS



|                                  |                                 |  |  |  |
|----------------------------------|---------------------------------|--|--|--|
| Coating (Int):<br>Coating (Ext): | Seam Up: Tongue<br>Seam Dn: n/a | Wall Thickness: 5"<br>Floor Height: 6" | Height (Int): 24"<br>Height (Ext): 30" | Weight (Net): 2938 lb<br>Volume (Net): 0.75cu.yd |
|----------------------------------|---------------------------------|--|--|--|

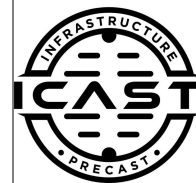
Job Name: 25-4789 Garrison Gardens Utilities  
 Job Location: Bowling Green, KY  
 Contractor: Scott & Ritter, Inc.

Plant: Beaver Dam

Tech: S. Felletter

4/16/2026 10:58:15 AM

PC: C. Goff



**Structure ID: san4-1 (16)**

**P1 MH048BA24**

**MH BASE T/n**

- P4) 24" - CASTING HEIGHT - 7"
- P3) 24" - GRADE RING F/F - 3"
- P2) 48" - MH FLAT TOP w/ 24" ECC Hole F/G - 12"
- P1) 48" - MH BASE T/n - 24"
- 1) 48" - MH INVERT CHANNEL - FULL HEIGHT
- 1) Conseal CS-102 1.00" (Single)
- 1) JOINT WRAP - 0.065"x6"x50' CONSEAL CS212
- 1) JOINT WRAP PRIMER - CONSEAL CS-75 (1 gal.)
- 1) CASTING - HOE MC-375 F/C Sanitary
- 1) 48" - Conseal CS-102 1.00"
- 1) PSX - 12-08 NYLO
- 1) PSX - 8QRS-S NYLO
- 1) MH Step ML-10-TDS-NCR - 10"

- 0 lb
- 202 lb
- 1561 lb
- 2938 lb
- 1440 lb
- 0 lb
- 0 lb
- 0 lb
- 0 lb
- 271 lb
- 0 lb
- 8 lb
- 6 lb
- 0 lb

**Structure Notes:**

1. HOE MC-375 F/C SANITARY PROVIDED BY ICAST
2. PER ASTM C478 SPECIFICATIONS.
3. CONCRETE = 4,000 PSI AT 28 DAYS.
4. REINFORCING PER ASTM A615 (GRADE 60).  
 - TOP SLAB (As .62) #5 BARS AT 6" C.C.E.W.  
 - RISER/WALLS (As .12)
- FLOOR (As .31) #5 BARS AT 12" C.C.E.W.
5. DOUBLE PIPE BANDS REQUIRED FOR ALL BOOTS.

Structure Total: 6427 lb

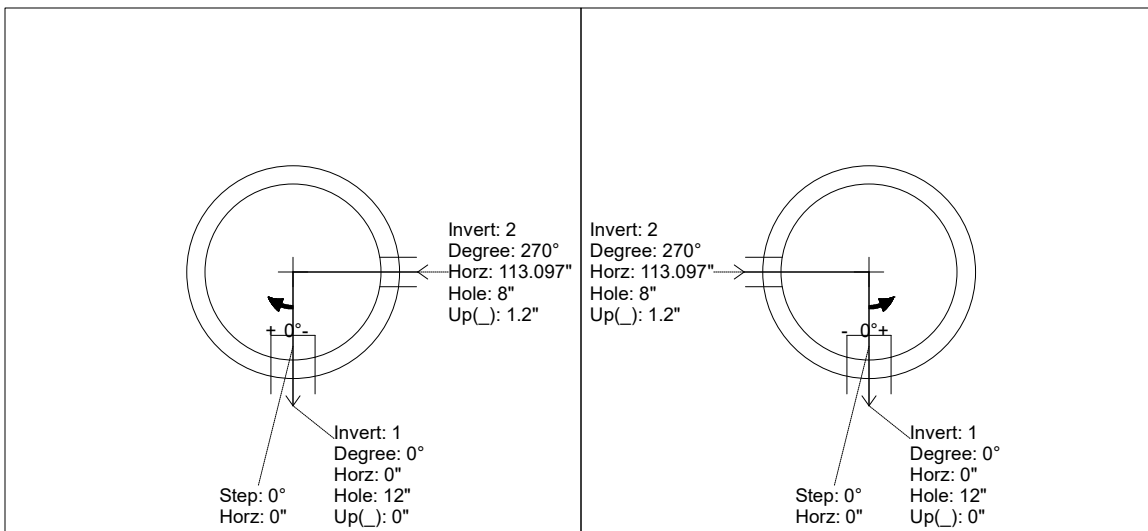
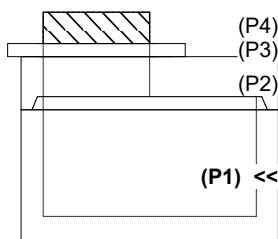
Invert channel drawing  
Full height invert

Rim: 509.21' Rim to Invert: 3.72' Slack: 0.64" Sump: 2" Step Position: 0°

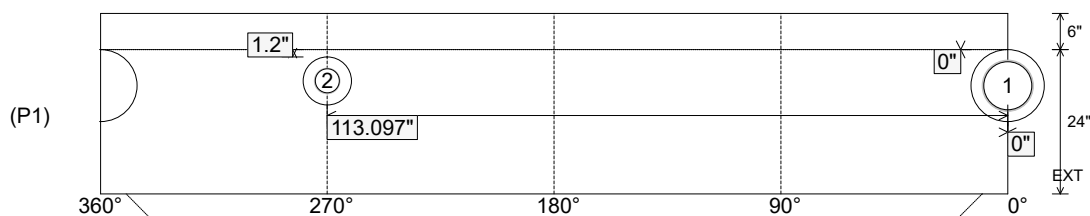
| Position | Elev    | Angle | Ext. (cw) | Pipe         | Pipe OD | Connector       | Hole | Horz Size | Up ( ) | Offset |
|----------|---------|-------|-----------|--------------|---------|-----------------|------|-----------|--------|--------|
| Invert 1 | 505.49' | 0°    | 0"        | 8" PVC SDR26 | 8.5"    | PSX 12-08 NYLO  | 12"  | 12.129"   | 0"     | 0"     |
| Invert 2 | 505.59' | 270°  | 136.659"  | 4" PVC SDR26 | 4.25"   | PSX 8QRS-S NYLO | 8"   | 8.038"    | 1.2"   | 0"     |
| Invert 3 |         |       |           |              |         |                 |      |           |        |        |
| Invert 4 |         |       |           |              |         |                 |      |           |        |        |
| Invert 5 |         |       |           |              |         |                 |      |           |        |        |
| Invert 6 |         |       |           |              |         |                 |      |           |        |        |
| Invert 7 |         |       |           |              |         |                 |      |           |        |        |
| Invert 8 |         |       |           |              |         |                 |      |           |        |        |

RIGHT-SIDE UP VIEW (int. dimensions)

UPSIDE-DOWN VIEW (int. dimensions)



INSIDE WALL DIMENSIONS



Coating (Int):  
Coating (Ext):

Seam Up: Tongue  
Seam Dn: n/a

Wall Thickness: 5"  
Floor Height: 6"

Height (Int): 24"  
Height (Ext): 30"

Weight (Net): 2938 lb  
Volume (Net): 0.75cu.yd