

**Job Name: 25-4789 Garrison Gardens Utilities**  
**Job Location: Bowling Green, KY**  
**Contractor: Scott & Ritter, Inc.**

PC: C. Goff  
 TECH: S. Felletter  
 Plant: Beaver Dam



Structure ID: **san1-4 (5)**  
 Spec: Sanitary  
 Type: SAN.MH  
 Size: 48"

Rim: 510.15'  
 Invert: 503.88'  
 Rim to Invert: 6.27'

Sump: 2"  
 Floor (Top): 503.713'  
 Floor Height: 6"

Floor (Bot): 503.213'  
 Overall Height: 6.917'  
 Slack: 0.24"

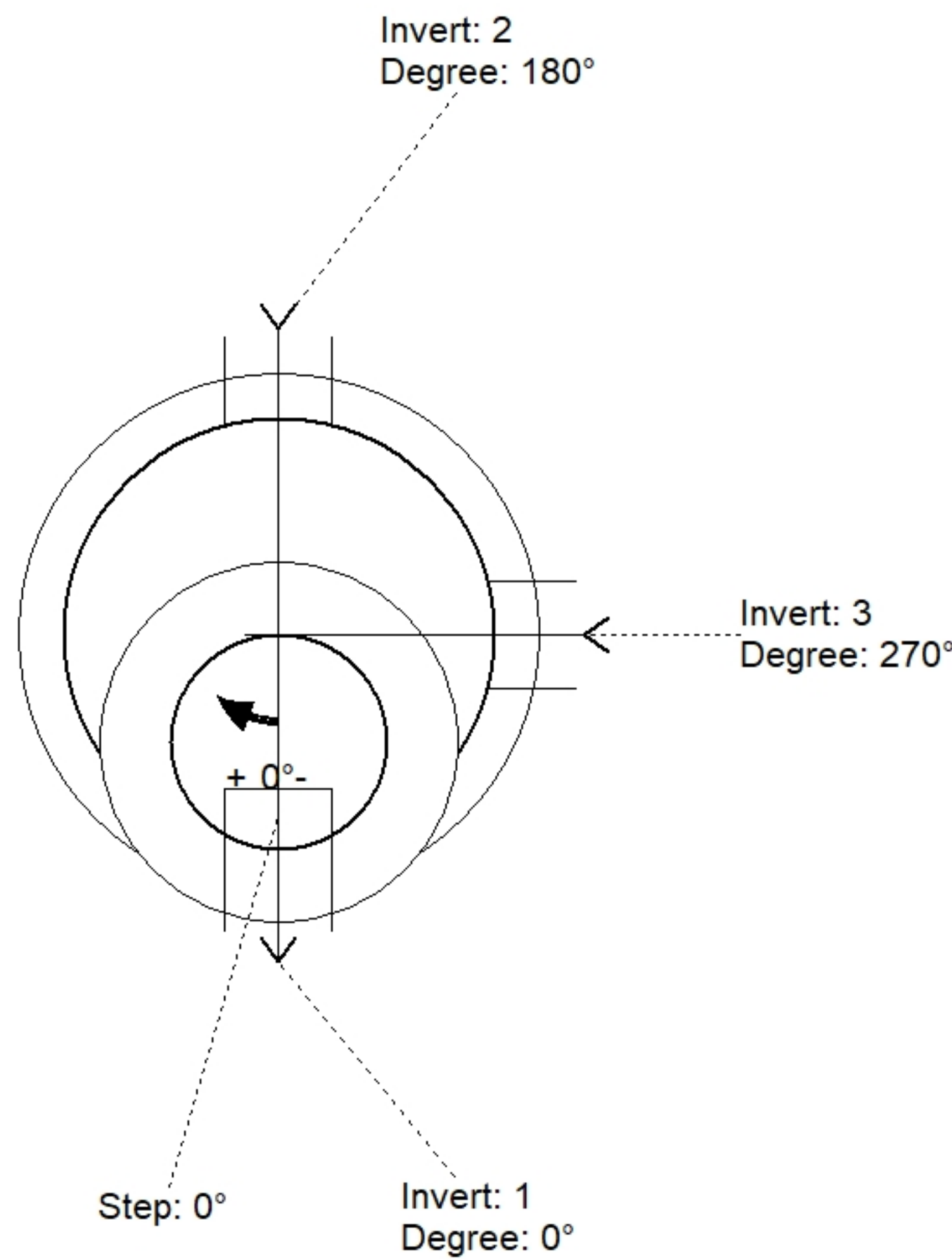
**Structure Notes:**

1. PER ASTM C478 SPECIFICATIONS.
2. CONCRETE = 4,000 PSI AT 28 DAYS.
3. HOE MC-375 F/C SANITARY PROVIDED BY ICAST.
4. DOUBLE PIPE BANDS REQUIRED FOR ALL BOOTS

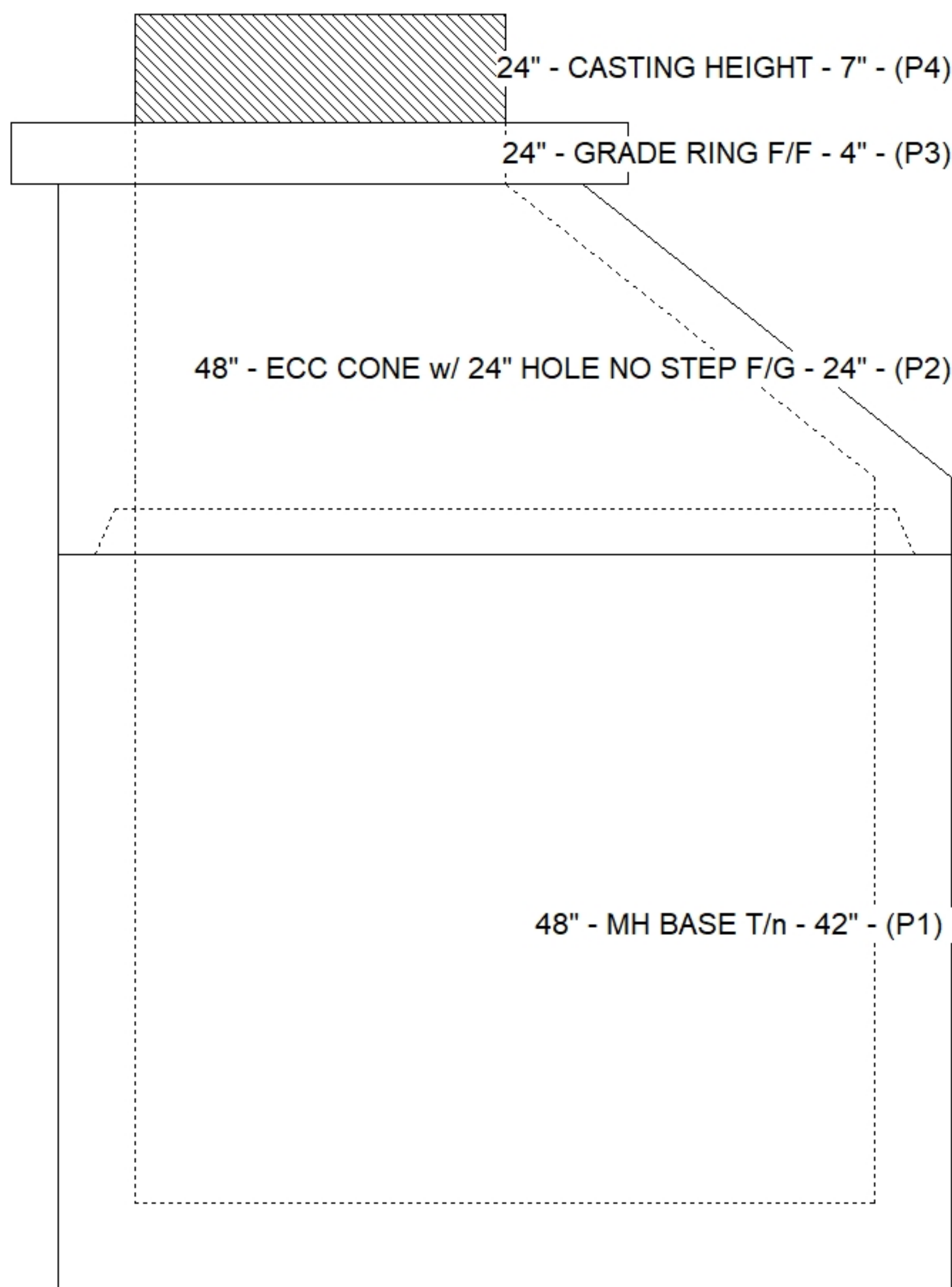
REINFORCING PER ASTM A615 (GRADE 60).  
 - CONE (As .12)  
 - RISER/WALLS (As .12)  
 - FLOOR (As .31) #5 BARS AT 12" C.C.E.W.

**STRUCTURE SUMMARY:**

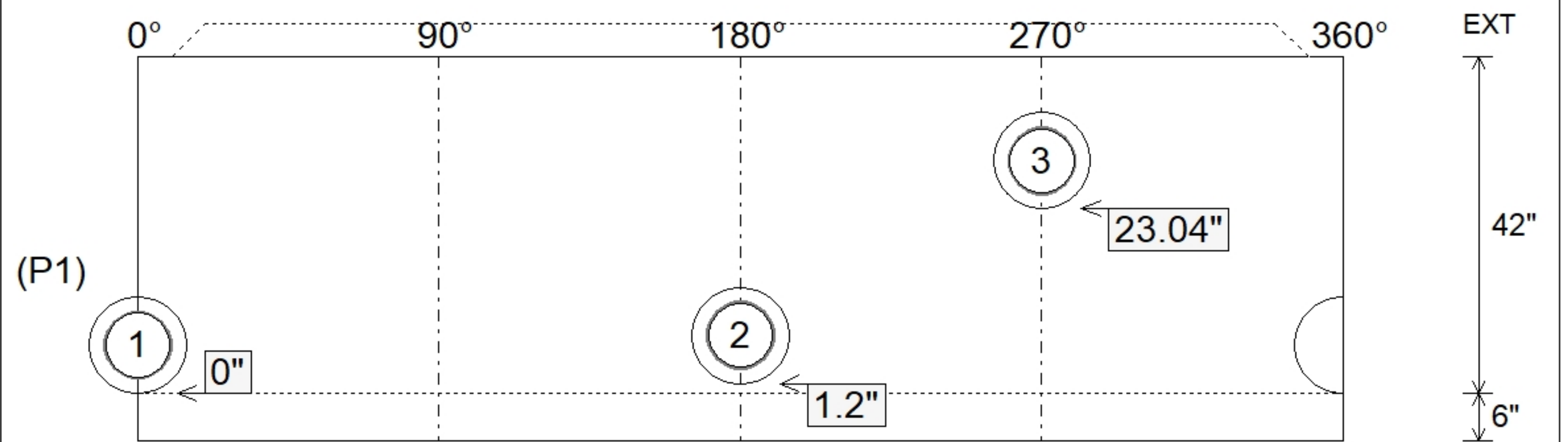
P4) 24" - CASTING HEIGHT - 7"	0 lb
P3) 24" - GRADE RING F/F - 4"	270 lb
P2) 48" - ECC CONE w/ 24" HOLE NO STEP F/G - 24"	1550 lb
P1) 48" - MH BASE T/n - 42"	4121 lb
1) 48" - MH INVERT CHANNEL - FULL HEIGHT	1440 lb
2) JOINT WRAP PRIMER - CONSEAL CS-75 (1 gal.)	0 lb
1) Conseal CS-102 1.00" (Single)	0 lb
1) JOINT WRAP - 0.065"x6"x50' CONSEAL CS212	0 lb
1) CASTING - HOE MC-375 F/C Sanitary	271 lb
1) 48" - Conseal CS-102 1.00"	0 lb
3) PSX - 12-08 NYLO	24 lb
5) MH Step ML-10-TDS-NCR - 10"	0 lb
<b>Structure Total:</b>	<b>7676 lb</b>



Position	Elev	Angle	Pipe	Pipe OD	Hole	Connector	Up (")	Ref
Rim	510.15'							
Reducer								
Invert 1	503.88'	0°	8" PVC SDR26	8.5"	12"	PSX 12-08 NYLO	0"	P1
Invert 2	503.98'	180°	8" PVC SDR26	8.5"	12"	PSX 12-08 NYLO	1.2"	P1
Invert 3	505.8'	270°	8" PVC SDR35	8.5"	12"	PSX 12-08 NYLO	23.04"	P1
Invert 4								
Invert 5								
Invert 6								
Invert 7								
Invert 8								



**Default - Interior Dimensions**



Submittal Drawing  
 4/20/2026 8:11:13 AM

SUBMITTAL  
 APPROVED BY: