

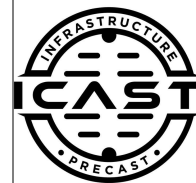
Job Name: 25-4789 Garrison Gardens Utilities  
 Job Location: Bowling Green, KY  
 Contractor: Scott & Ritter, Inc.

Plant: Beaver Dam

Tech: S. Felletter

4/16/2026 10:58:08 AM

PC: C. Goff



**Structure ID: san1-4 (5)**

**P1 MH048BA42**

**MH BASE T/n**

- P4) 24" - CASTING HEIGHT - 7"
- P3) 24" - GRADE RING F/F - 4"
- P2) 48" - ECC CONE w/ 24" HOLE NO STEP F/G - 24"
- P1) 48" - MH BASE T/n - 42"
- 1) 48" - MH INVERT CHANNEL - FULL HEIGHT
- 2) JOINT WRAP PRIMER - CONSEAL CS-75 (1 gal.)
- 1) Conseal CS-102 1.00" (Single)
- 1) JOINT WRAP - 0.065"x6"x50' CONSEAL CS212
- 1) CASTING - HOE MC-375 F/C Sanitary
- 1) 48" - Conseal CS-102 1.00"
- 3) PSX - 12-08 NYLO
- 5) MH Step ML-10-TDS-NCR - 10"

0 lb  
 270 lb  
 1550 lb  
 4121 lb  
 1440 lb  
 0 lb  
 0 lb  
 0 lb  
 271 lb  
 0 lb  
 24 lb  
 0 lb  
 -----  
 Structure Total: 7676 lb

**Structure Notes:**

1. PER ASTM C478 SPECIFICATIONS.
2. CONCRETE = 4,000 PSI AT 28 DAYS.
3. HOE MC-375 F/C SANITARY PROVIDED BY ICAST.
4. DOUBLE PIPE BANDS REQUIRED FOR ALL BOOTS

**REINFORCING PER ASTM A615 (GRADE 60).**

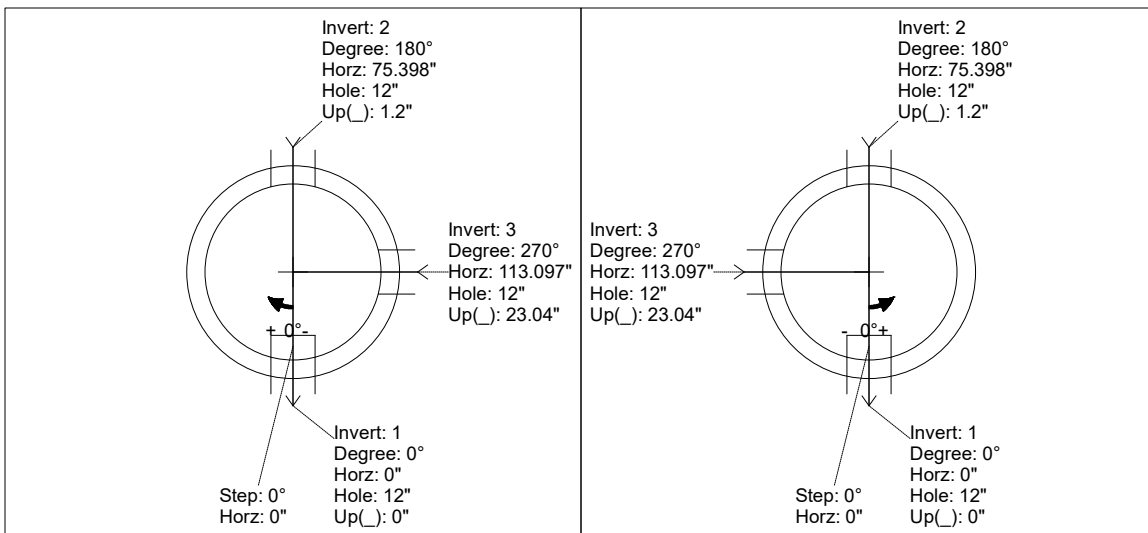
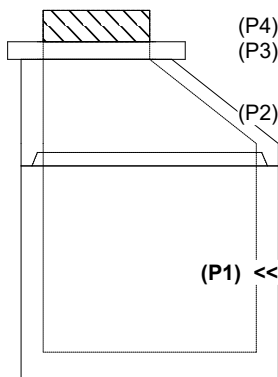
- CONE (As .12)
- RISER/WALLS (As .12)
- FLOOR (As .31) #5 BARS AT 12" C.C.E.W.

Rim: 510.15' Rim to Invert: 6.27' Slack: 0.24" Sump: 2" Step Position: 0°

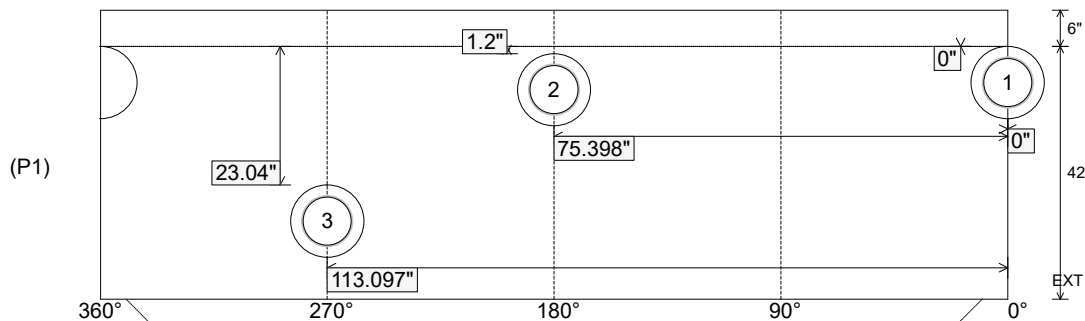
Position	Elev	Angle	Ext. (cw)	Pipe	Pipe OD	Connector	Hole	Horz Size	Up ( )	Offset
Invert 1	503.88'	0°	0"	8" PVC SDR26	8.5"	PSX 12-08 NYLO	12"	12.129"	0"	0"
Invert 2	503.98'	180°	91.106"	8" PVC SDR26	8.5"	PSX 12-08 NYLO	12"	12.129"	1.2"	0"
Invert 3	505.8'	270°	136.659"	8" PVC SDR35	8.5"	PSX 12-08 NYLO	12"	12.129"	23.04"	0"
Invert 4										
Invert 5										
Invert 6										
Invert 7										
Invert 8										

**RIGHT-SIDE UP VIEW (int. dimensions)**

**UPSIDE-DOWN VIEW (int. dimensions)**



**INSIDE WALL DIMENSIONS**



Coating (Int):  
 Coating (Ext):

Seam Up: Tongue  
 Seam Dn: n/a

Wall Thickness: 5"  
 Floor Height: 6"

Height (Int): 42"  
 Height (Ext): 48"

Weight (Net): 4121 lb  
 Volume (Net): 1.05cu.yd

Job Name: 25-4789 Garrison Gardens Utilities  
 Job Location: Bowling Green, KY  
 Contractor: Scott & Ritter, Inc.

Plant: Beaver Dam  
 4/16/2026 10:58:08 AM

Tech: S. Felletter  
 PC: C. Goff



**Structure ID: san1-4 (5)**

**P1 MH048BA42**

**MH BASE T/n**

- P4) 24" - CASTING HEIGHT - 7"
- P3) 24" - GRADE RING F/F - 4"
- P2) 48" - ECC CONE w/ 24" HOLE NO STEP F/G - 24"
- P1) 48" - MH BASE T/n - 42"
- 1) 48" - MH INVERT CHANNEL - FULL HEIGHT
- 2) JOINT WRAP PRIMER - CONSEAL CS-75 (1 gal.)
- 1) Conseal CS-102 1.00" (Single)
- 1) JOINT WRAP - 0.065"x6"x50' CONSEAL CS212
- 1) CASTING - HOE MC-375 F/C Sanitary
- 1) 48" - Conseal CS-102 1.00"
- 3) PSX - 12-08 NYLO
- 5) MH Step ML-10-TDS-NCR - 10"

- 0 lb
- 270 lb
- 1550 lb
- 4121 lb
- 1440 lb
- 0 lb
- 0 lb
- 0 lb
- 0 lb
- 271 lb
- 0 lb
- 24 lb
- 0 lb

- Structure Notes:**
1. PER ASTM C478 SPECIFICATIONS.
  2. CONCRETE = 4,000 PSI AT 28 DAYS.
  3. HOE MC-375 F/C SANITARY PROVIDED BY ICAST.
  4. DOUBLE PIPE BANDS REQUIRED FOR ALL BOOTS

REINFORCING PER ASTM A615 (GRADE 60).  
 - CONE (As .12)  
 - RISER/WALLS (As .12)  
 - FLOOR (As .31) #5 BARS AT 12" C.C.E.W.

Structure Total: 7676 lb

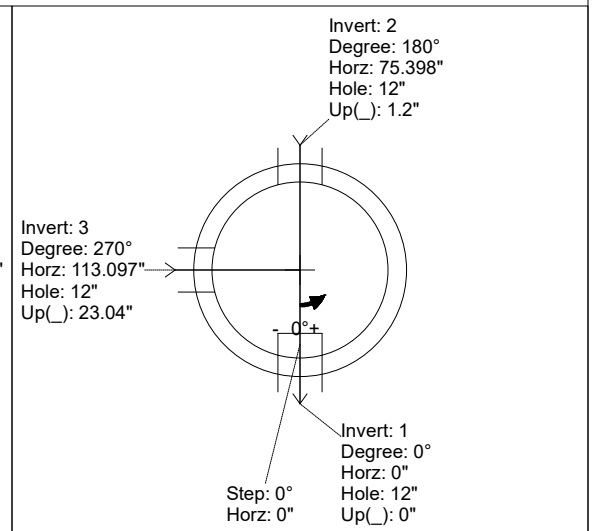
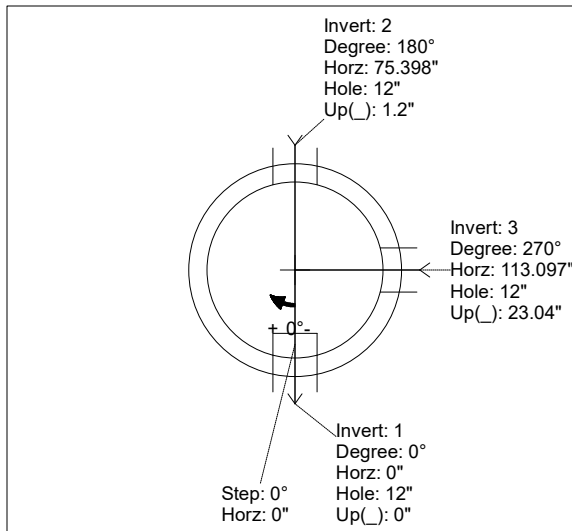
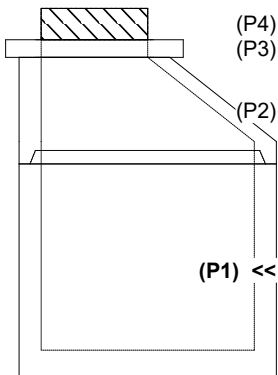
Invert channel drawing  
Full height invert

Rim: 510.15' Rim to Invert: 6.27' Slack: 0.24" Sump: 2" Step Position: 0°

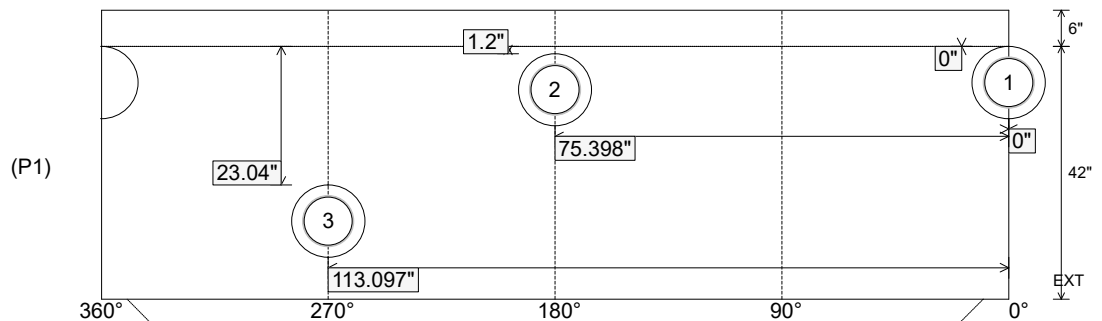
Position	Elev	Angle	Ext. (cw)	Pipe	Pipe OD	Connector	Hole	Horz Size	Up ( )	Offset
Invert 1	503.88'	0°	0"	8" PVC SDR26	8.5"	PSX 12-08 NYLO	12"	12.129"	0"	0"
Invert 2	503.98'	180°	91.106"	8" PVC SDR26	8.5"	PSX 12-08 NYLO	12"	12.129"	1.2"	0"
Invert 3	505.8'	270°	136.659"	8" PVC SDR35	8.5"	PSX 12-08 NYLO	12"	12.129"	23.04"	0"
Invert 4										
Invert 5										
Invert 6										
Invert 7										
Invert 8										

RIGHT-SIDE UP VIEW (int. dimensions)

UPSIDE-DOWN VIEW (int. dimensions)



INSIDE WALL DIMENSIONS



Coating (Int):  
Coating (Ext):

Seam Up: Tongue  
Seam Dn: n/a

Wall Thickness: 5"  
Floor Height: 6"

Height (Int): 42"  
Height (Ext): 48"

Weight (Net): 4121 lb  
Volume (Net): 1.05cu.yd