

Job Name: 25-4789 Garrison Gardens Utilities
Job Location: Bowling Green, KY
Contractor: Scott & Ritter, Inc.

PC: C. Goff
 TECH: S. Felletter
 Plant: Beaver Dam



Structure ID: **san1-3 (4)**

Spec: Sanitary
 Type: SAN.MH
 Size: 48"

Rim: 508.61'
 Invert: 502.92'
 Rim to Invert: 5.69'

Sump: 2"
 Floor (Top): 502.753'
 Floor Height: 6"

Floor (Bot): 502.253'
 Overall Height: 6.333'
 Slack: 0.28"

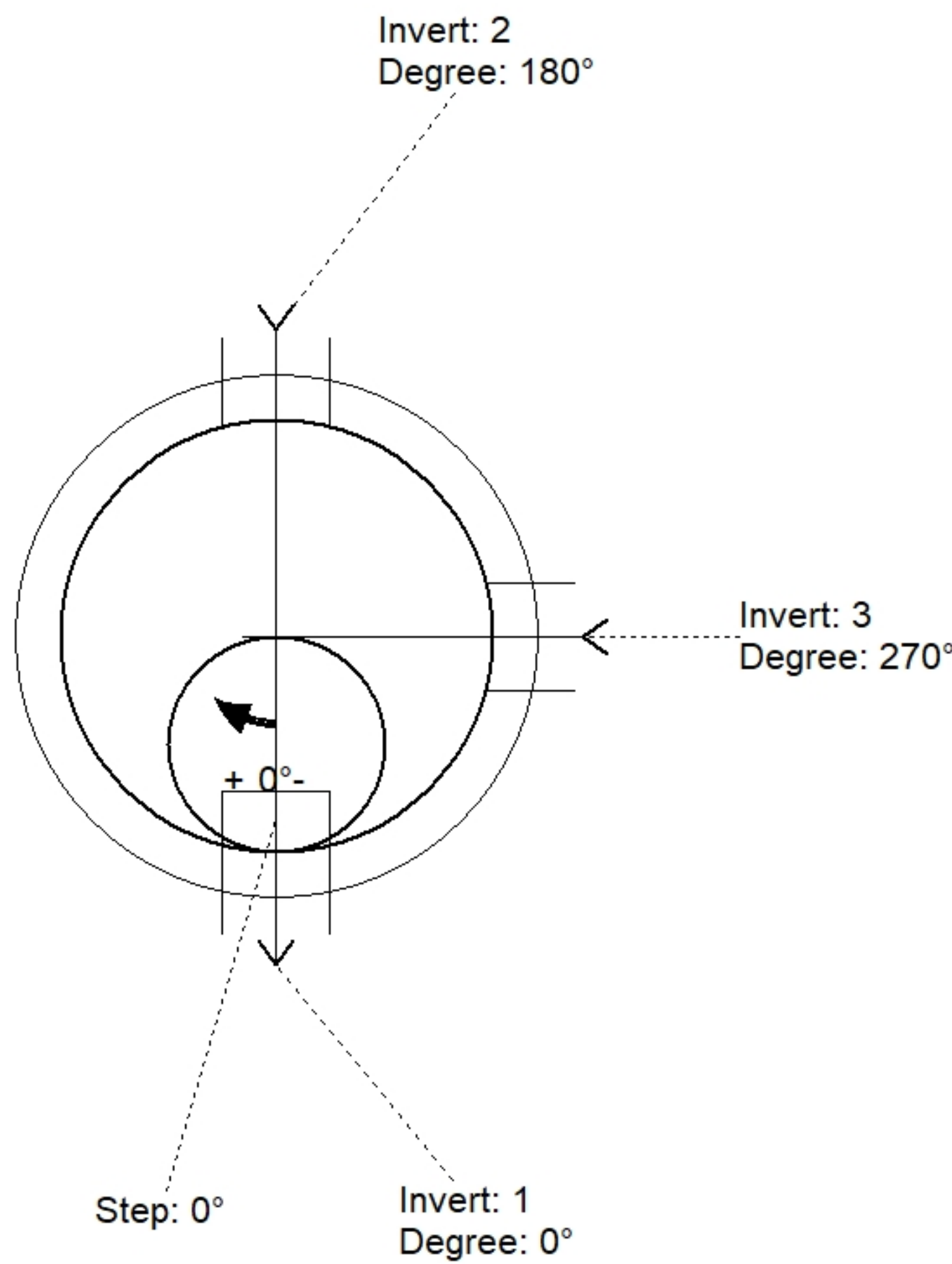
Structure Notes:

1. PER ASTM C478 SPECIFICATIONS.
2. CONCRETE = 4,000 PSI AT 28 DAYS.
3. HOE MC-375 F/C SANITARY PROVIDED BY ICAST
4. DOUBLE PIPE BANDS REQUIRED FOR ALL BOOTS

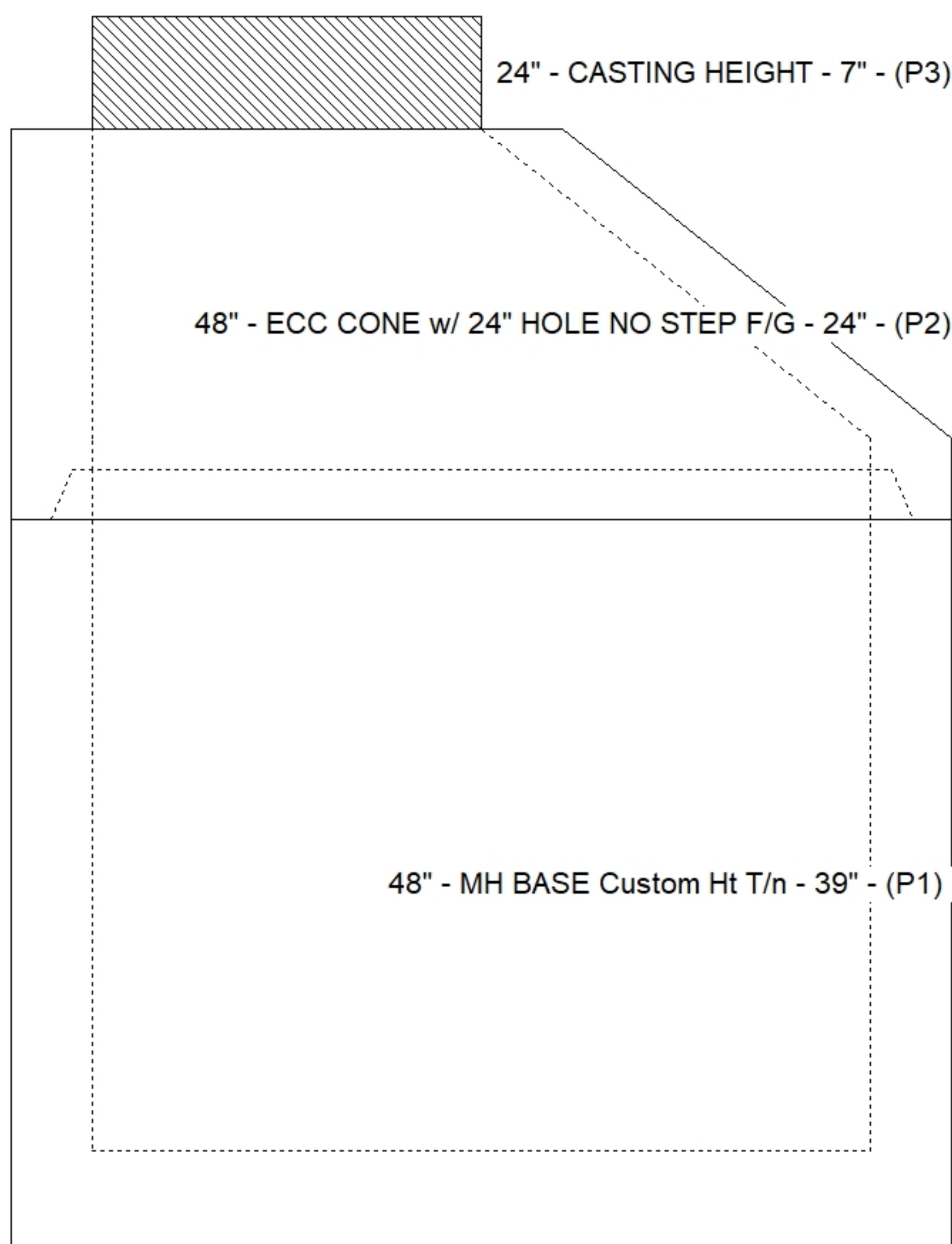
REINFORCING PER ASTM A615 (GRADE 60).
 - CONE (As .12)
 - RISER/WALLS (As .12)
 - FLOOR (As .31) #5 BARS AT 12" C.C.E.W.

STRUCTURE SUMMARY:

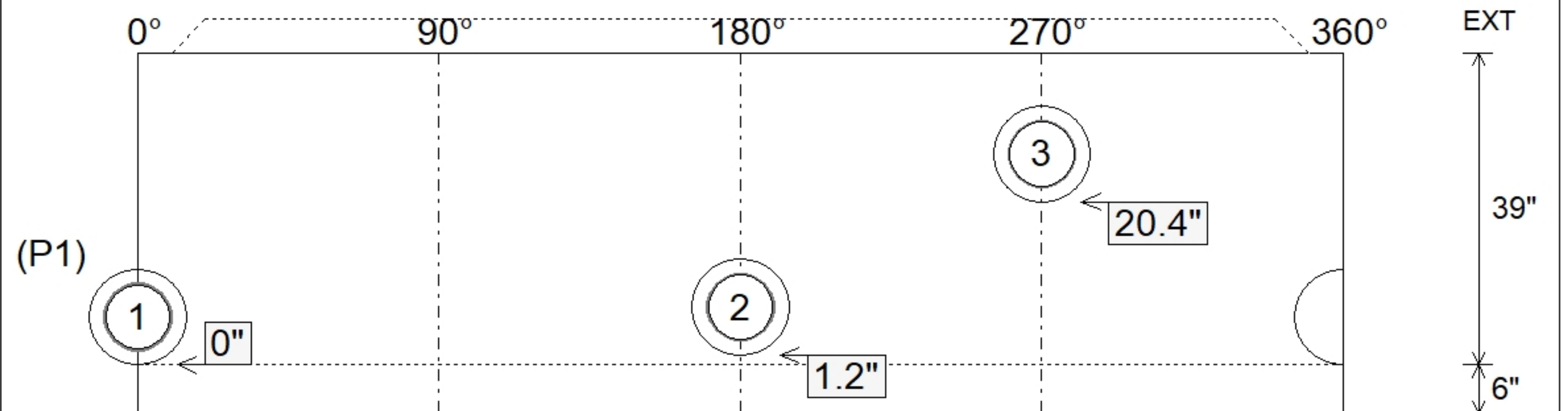
P3) 24" - CASTING HEIGHT - 7"	0 lb
P2) 48" - ECC CONE w/ 24" HOLE NO STEP F/G - 24"	1550 lb
P1) 48" - MH BASE Custom Ht T/n - 39"	3911 lb
1) 48" - MH INVERT CHANNEL - FULL HEIGHT	1440 lb
1) Conseal CS-102 1.00" (Single)	0 lb
1) JOINT WRAP - 0.065"x6"x50' CONSEAL CS212	0 lb
1) JOINT WRAP PRIMER - CONSEAL CS-75 (1 gal.)	0 lb
1) CASTING - HOE MC-375 F/C Sanitary	271 lb
1) 48" - Conseal CS-102 1.00"	0 lb
3) PSX - 12-08 NYLO	24 lb
4) MH Step ML-10-TDS-NCR - 10"	0 lb
Structure Total:	7196 lb



Position	Elev	Angle	Pipe	Pipe OD	Hole	Connector	Up (")	Ref
Rim	508.61'							
Reducer								
Invert 1	502.92'	0°	8" PVC SDR26	8.5"	12"	PSX 12-08 NYLO	0"	P1
Invert 2	503.02'	180°	8" PVC SDR26	8.5"	12"	PSX 12-08 NYLO	1.2"	P1
Invert 3	504.62'	270°	8" PVC SDR35	8.5"	12"	PSX 12-08 NYLO	20.4"	P1
Invert 4								
Invert 5								
Invert 6								
Invert 7								
Invert 8								



Default - Interior Dimensions



Submittal Drawing
 4/20/2026 8:11:12 AM

SUBMITTAL
 APPROVED BY: