

Job Name: 25-4789 Garrison Gardens Utilities
Job Location: Bowling Green, KY
Contractor: Scott & Ritter, Inc.

PC: C. Goff
 TECH: S. Felletter
 Plant: Beaver Dam



Structure ID: **san1-2 (3)**

Spec: Sanitary
 Type: SAN.MH
 Size: 48"

Rim: 507.2'
 Invert: 500.22'
 Rim to Invert: 6.98'

Sump: 2"
 Floor (Top): 500.053'
 Floor Height: 6"

Floor (Bot): 499.553'
 Overall Height: 7.583'
 Slack: 0.76"

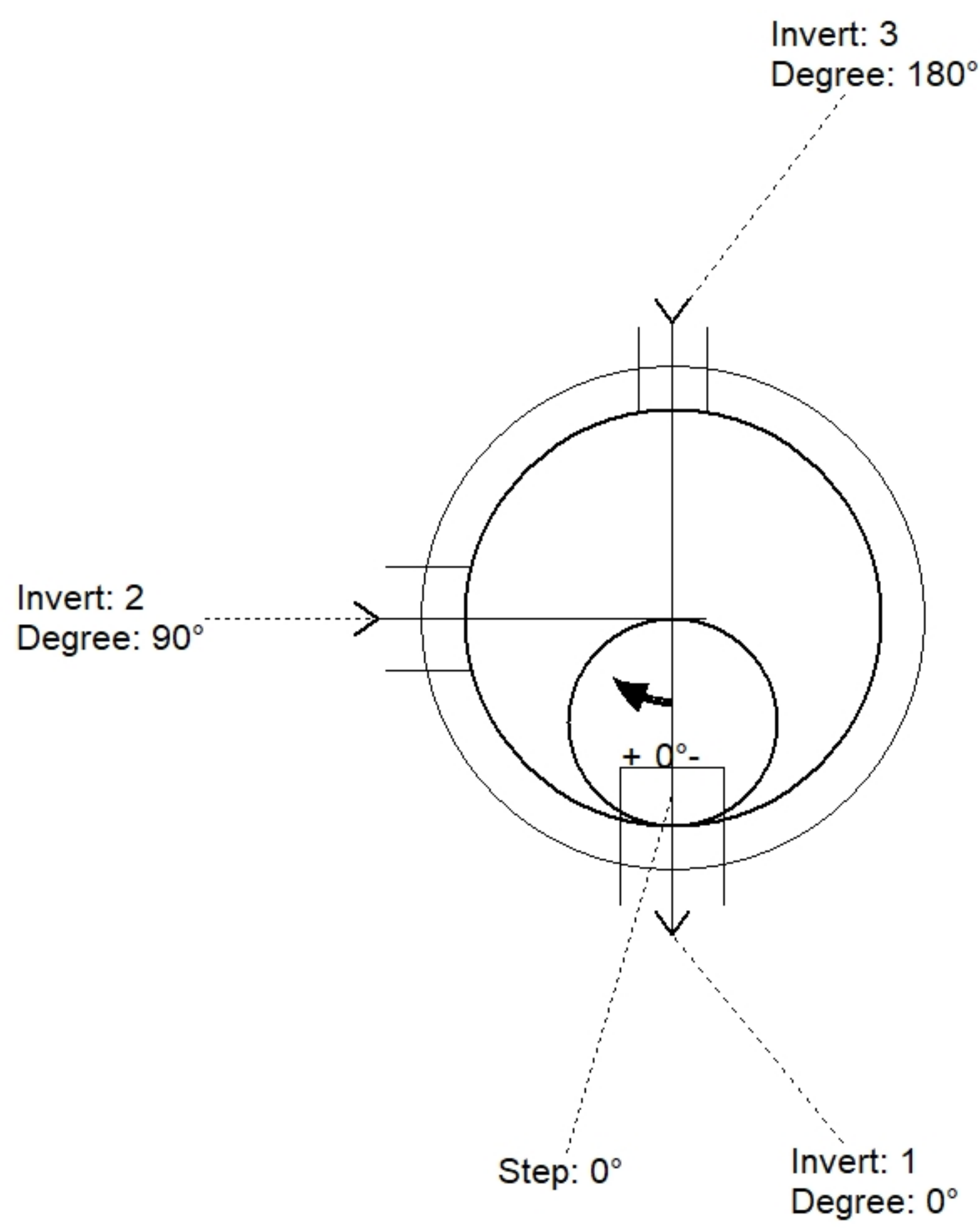
Structure Notes:

1. PER ASTM C478 SPECIFICATIONS.
2. CONCRETE = 4,000 PSI AT 28 DAYS.
3. HOE MC-375 F/C SANITARY PROVIDED BY ICAST.
4. DOUBLE PIPE BANDS REQUIRED FOR ALL BOOTS

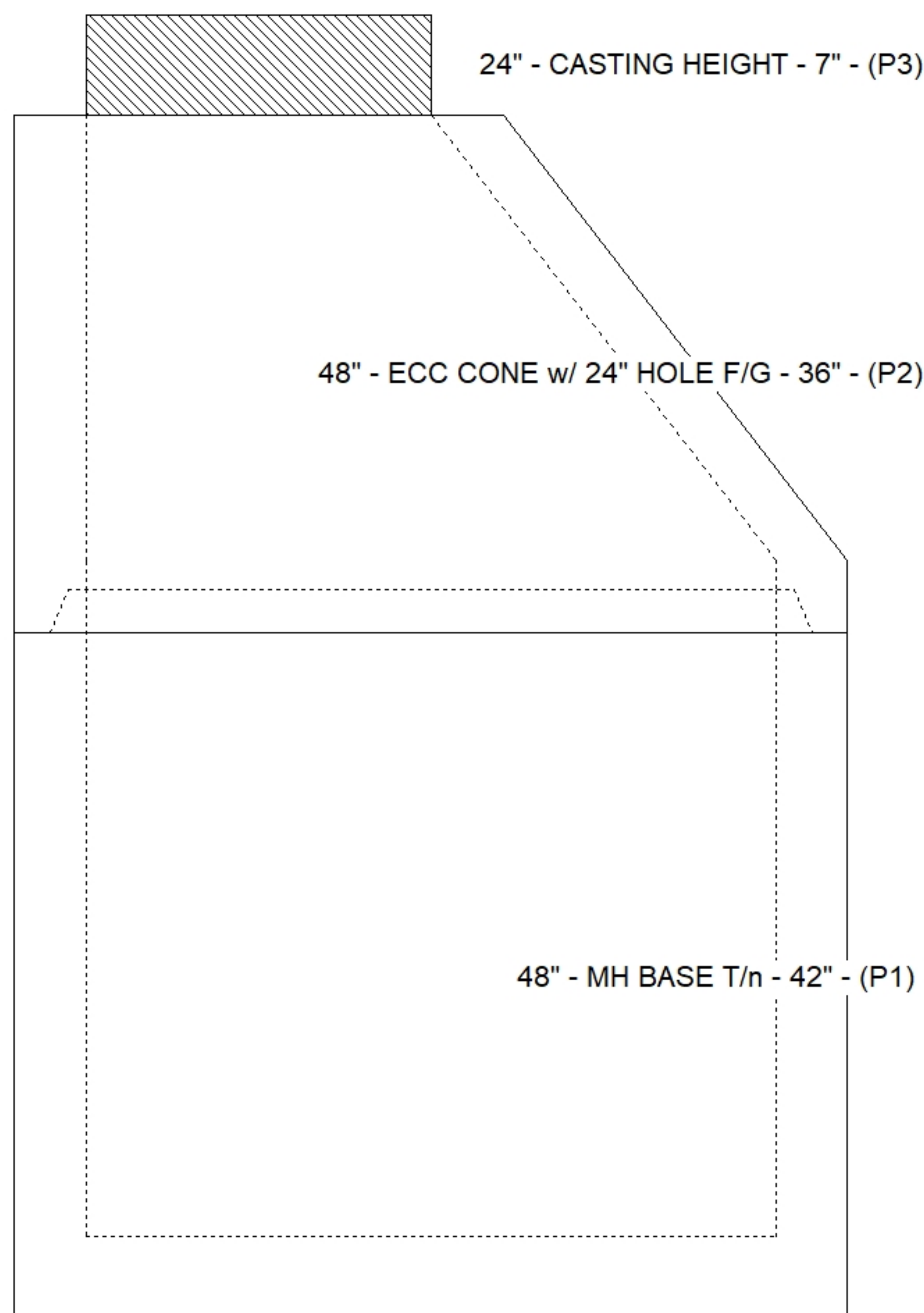
REINFORCING PER ASTM A615 (GRADE 60).
 - CONE (As .12)
 - RISER/WALLS (As .12)
 - FLOOR (As .31) #5 BARS AT 12" C.C.E.W.

STRUCTURE SUMMARY:

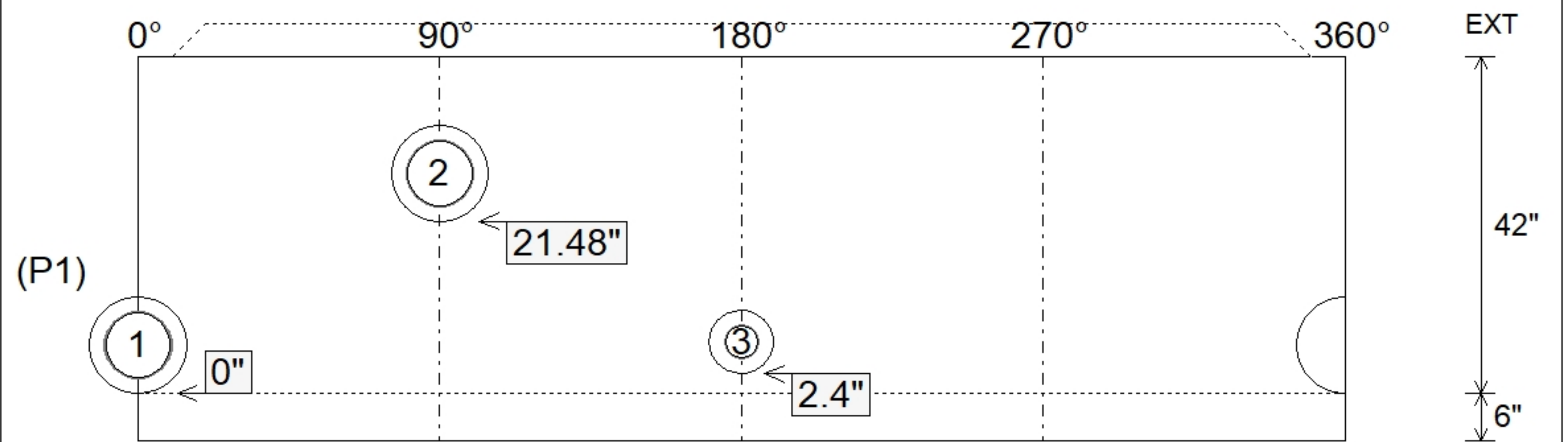
P3) 24" - CASTING HEIGHT - 7"	0 lb
P2) 48" - ECC CONE w/ 24" HOLE F/G - 36"	3000 lb
P1) 48" - MH BASE T/n - 42"	4147 lb
1) 48" - MH INVERT CHANNEL - FULL HEIGHT	1440 lb
1) JOINT WRAP - 0.065"x6"x50' CONSEAL CS212	0 lb
1) JOINT WRAP PRIMER - CONSEAL CS-75 (1 gal.)	0 lb
1) Conseal CS-102 1.00" (Single)	0 lb
1) CASTING - HOE MC-375 F/C Sanitary	271 lb
1) 48" - Conseal CS-102 1.00"	0 lb
2) PSX - 12-08 NYLO	16 lb
1) PSX - 8QRS-S NYLO	6 lb
6) MH Step ML-10-TDS-NCR - 10"	0 lb
Structure Total:	8881 lb



Position	Elev	Angle	Pipe	Pipe OD	Hole	Connector	Up (")	Ref
Rim	507.2'							
Reducer								
Invert 1	500.22'	0°	8" PVC SDR26	8.5"	12"	PSX 12-08 NYLO	0"	P1
Invert 2	502.01'	90°	8" PVC SDR35	8.5"	12"	PSX 12-08 NYLO	21.48"	P1
Invert 3	500.42'	180°	4" PVC SDR26	4.25"	8"	PSX 8QRS-S NYLO	2.4"	P1
Invert 4								
Invert 5								
Invert 6								
Invert 7								
Invert 8								



Default - Interior Dimensions



Submittal Drawing
 4/20/2026 8:11:12 AM

SUBMITTAL
 APPROVED BY: