

Job Name: 25-4789 Garrison Gardens Utilities
 Job Location: Bowling Green, KY
 Contractor: Scott & Ritter, Inc.

Plant: Beaver Dam
 4/16/2026 10:58:06 AM

Tech: S. Felletter
 PC: C. Goff



Structure ID: san1-1 (2)

P1 MH048BA24

MH BASE T/n

| | |
|---|----------------|
| P4) 24" - CASTING HEIGHT - 7" | 0 lb |
| P3) 24" - GRADE RING F/F - 4" | 270 lb |
| P2) 48" - ECC CONE w/ 24" HOLE F/G - 36" | 3000 lb |
| P1) 48" - MH BASE T/n - 24" | 2911 lb |
| 1) 48" - MH INVERT CHANNEL - FULL HEIGHT | 1440 lb |
| 1) JOINT WRAP - 0.065"x6"x50' CONSEAL CS212 | 0 lb |
| 1) JOINT WRAP PRIMER - CONSEAL CS-75 (1 gal.) | 0 lb |
| 1) Conseal CS-102 1.00" (Single) | 0 lb |
| 1) CASTING - HOE MC-375 F/C Sanitary | 271 lb |
| 1) 48" - Conseal CS-102 1.00" | 0 lb |
| 2) PSX - 12-08 NYLO | 16 lb |
| 4) MH Step ML-10-TDS-NCR - 10" | 0 lb |
| Structure Total: | 7908 lb |

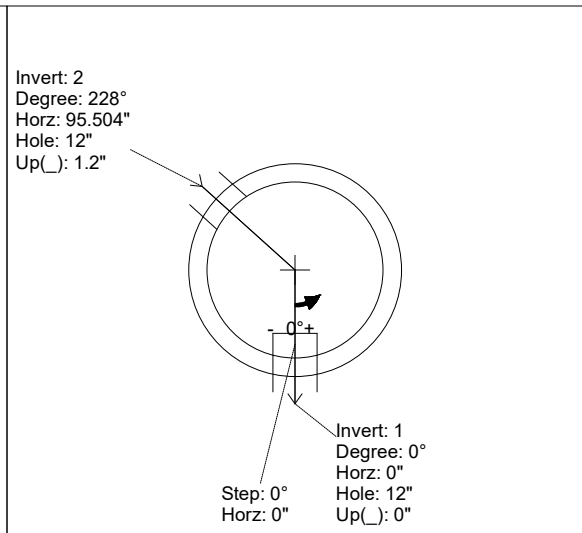
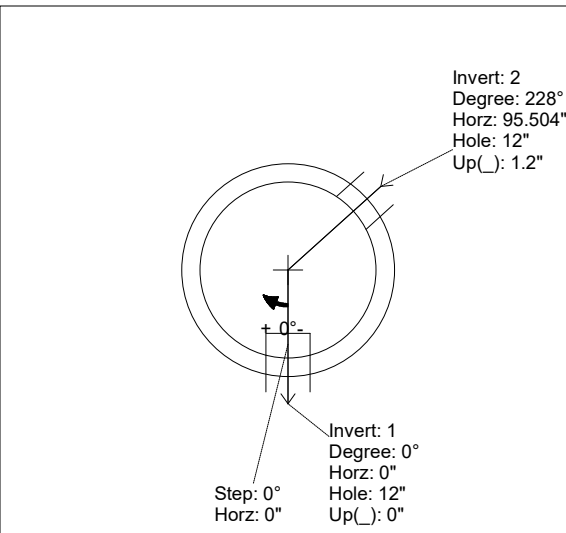
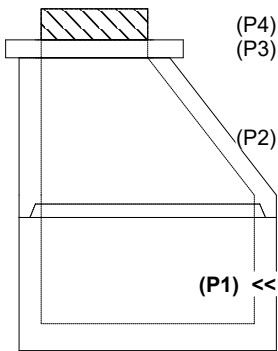
Structure Notes:
 1. HOE MC-375 F/C SANITARY PROVIDED BY ICAST
 2. PER ASTM C478 SPECIFICATIONS.
 3. CONCRETE = 4,000 PSI AT 28 DAYS.
 4. REINFORCING PER ASTM A615 (GRADE 60).
 - CONE (As .12)
 - RISER/WALLS (As .12)
 - FLOOR (As .31) #5 BARS AT 12" C.C.E.W.
 5. DOUBLE PIPE BANDS REQUIRED FOR ALL BOOTS

Rim: 504.85' Rim to Invert: 5.85' Slack: 1.2" Sump: 2" Step Position: 0

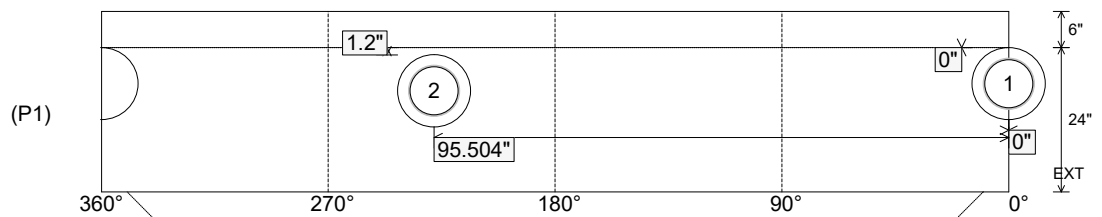
| Position | Elev | Angle | Ext. (cw) | Pipe | Pipe OD | Connector | Hole | Horz Size | Up () | Offset |
|----------|--------|-------|-----------|--------------|---------|----------------|------|-----------|--------|--------|
| Invert 1 | 499' | 0° | 0" | 8" PVC SDR26 | 8.5" | PSX 12-08 NYLO | 12" | 12.129" | 0" | 0" |
| Invert 2 | 499.1' | 228° | 115.401" | 8" PVC SDR26 | 8.5" | PSX 12-08 NYLO | 12" | 12.129" | 1.2" | 0" |
| Invert 3 | | | | | | | | | | |
| Invert 4 | | | | | | | | | | |
| Invert 5 | | | | | | | | | | |
| Invert 6 | | | | | | | | | | |
| Invert 7 | | | | | | | | | | |
| Invert 8 | | | | | | | | | | |

RIGHT-SIDE UP VIEW (int. dimensions)

UPSIDE-DOWN VIEW (int. dimensions)



INSIDE WALL DIMENSIONS



Coating (Int):
 Coating (Ext):

Seam Up: Tongue
 Seam Dn: n/a

Wall Thickness: 5"
 Floor Height: 6"

Height (Int): 24"
 Height (Ext): 30"

Weight (Net): 2911 lb
 Volume (Net): 0.74cu.yd

Job Name: 25-4789 Garrison Gardens Utilities
 Job Location: Bowling Green, KY
 Contractor: Scott & Ritter, Inc.

Plant: Beaver Dam
 4/16/2026 10:58:06 AM

Tech: S. Felletter
 PC: C. Goff



Structure ID: san1-1 (2)

P1 MH048BA24

MH BASE T/n

- P4) 24" - CASTING HEIGHT - 7" 0 lb
- P3) 24" - GRADE RING F/F - 4" 270 lb
- P2) 48" - ECC CONE w/ 24" HOLE F/G - 36" 3000 lb
- P1) 48" - MH BASE T/n - 24" 2911 lb
- 1) 48" - MH INVERT CHANNEL - FULL HEIGHT 1440 lb
- 1) JOINT WRAP - 0.065"x6"x50' CONSEAL CS212 0 lb
- 1) JOINT WRAP PRIMER - CONSEAL CS-75 (1 gal.) 0 lb
- 1) Conseal CS-102 1.00" (Single) 0 lb
- 1) CASTING - HOE MC-375 F/C Sanitary 271 lb
- 1) 48" - Conseal CS-102 1.00" 0 lb
- 2) PSX - 12-08 NYLO 16 lb
- 4) MH Step ML-10-TDS-NCR - 10" 0 lb

Structure Total: 7908 lb

- Structure Notes:**
1. HOE MC-375 F/C SANITARY PROVIDED BY ICAST
 2. PER ASTM C478 SPECIFICATIONS.
 3. CONCRETE = 4,000 PSI AT 28 DAYS.
 4. REINFORCING PER ASTM A615 (GRADE 60).
 - CONE (As .12)
 - RISER/WALLS (As .12)
 - FLOOR (As .31) #5 BARS AT 12" C.C.E.W.
 5. DOUBLE PIPE BANDS REQUIRED FOR ALL BOOTS

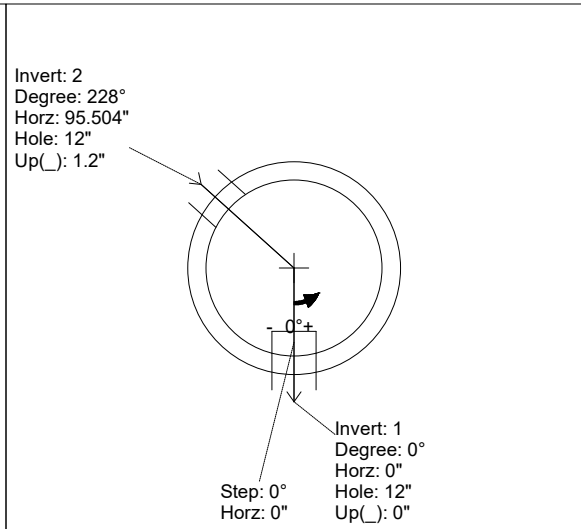
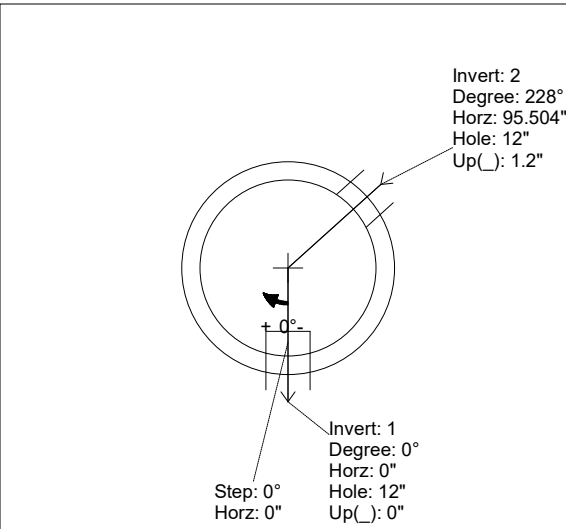
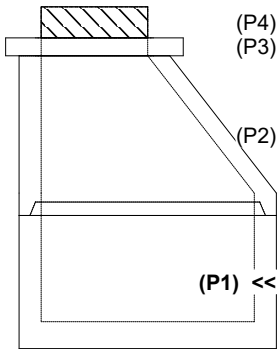
Invert channel drawing
Full height invert

Rim: 504.85' Rim to Invert: 5.85' Slack: 1.2" Sump: 2" Step Position: 0

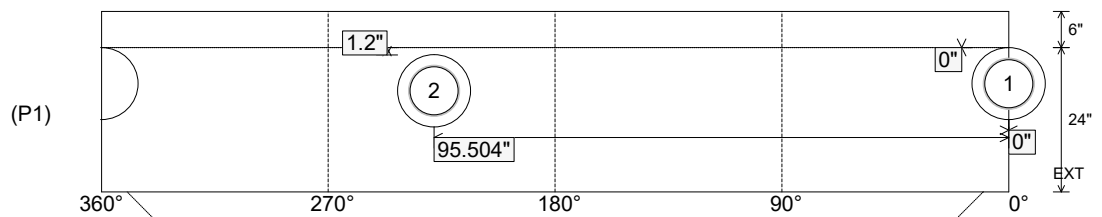
| Position | Elev | Angle | Ext. (cw) | Pipe | Pipe OD | Connector | Hole | Horz Size | Up () | Offset |
|----------|--------|-------|-----------|--------------|---------|----------------|------|-----------|--------|--------|
| Invert 1 | 499' | 0° | 0" | 8" PVC SDR26 | 8.5" | PSX 12-08 NYLO | 12" | 12.129" | 0" | 0" |
| Invert 2 | 499.1' | 228° | 115.401" | 8" PVC SDR26 | 8.5" | PSX 12-08 NYLO | 12" | 12.129" | 1.2" | 0" |
| Invert 3 | | | | | | | | | | |
| Invert 4 | | | | | | | | | | |
| Invert 5 | | | | | | | | | | |
| Invert 6 | | | | | | | | | | |
| Invert 7 | | | | | | | | | | |
| Invert 8 | | | | | | | | | | |

RIGHT-SIDE UP VIEW (int. dimensions)

UPSIDE-DOWN VIEW (int. dimensions)



INSIDE WALL DIMENSIONS



| | | | | |
|----------------------------------|---------------------------------|--|--|--|
| Coating (Int): Coating (Ext): | Seam Up: Tongue Seam Dn: n/a | Wall Thickness: 5" Floor Height: 6" | Height (Int): 24" Height (Ext): 30" | Weight (Net): 2911 lb Volume (Net): 0.74cu.yd |
|----------------------------------|---------------------------------|--|--|--|