

Structure ID: A3 (3)

P1 MH048BA72

MH BASE T/n

P4) 24" x 36" - CASTING HEIGHT - 6" P3) 48" - MH FLAT TOP w/24"x36" Hole F/G - 12" P2) 48" - MH RISER Custom Ht T/G - 68" P1) 48" - MH BASE T/n - 72" 1) CASTING - HOE 525 LV SET (F/G/H) 2) 48" - Conseal CS-102 1.00" 1) 24" x 36" - Conseal CS-102 1.00" 1) Hole - 22 1) Hole - 18 1) Hole - 6 12) MH Step ML-10-TDS-NCR - 10"	0 lb 1300 lb 4641 lb 6184 lb 442 lb 0 lb 0 lb 0 lb 0 lb 0 lb 0 lb 0 lb 0 lb 0 lb 0 lb Structure Total: 12567 lb
---	--

Structure Notes:

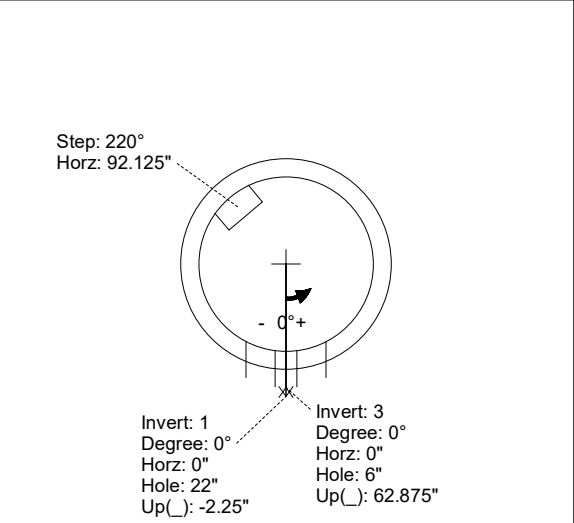
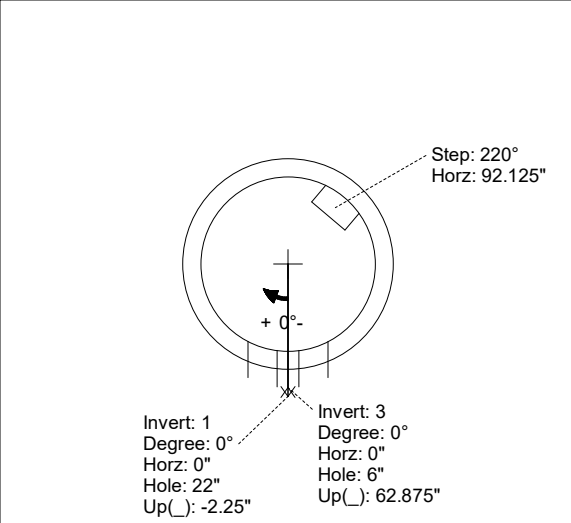
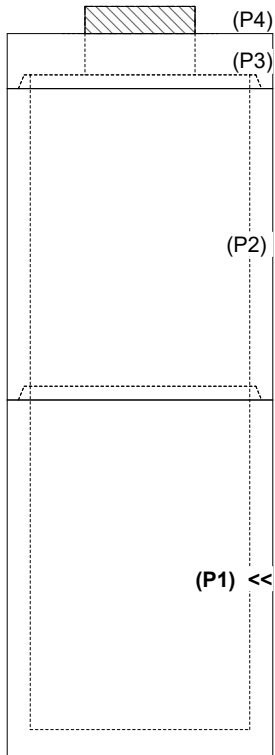
1. PER LFUCG CBI TYPE D / ASTM C-913 SPECS
2. CONCRETE: 4,000 PSI AT 28 DAYS
3. REINFORCEMENT: PER ASTM A615
4. NO STORM INVERT
5. STEPS AT 220 DEGREES
6. HOE-525-LV FRAME, L-VANE GRATE, & CURB HOOD SUPPLIED BY ICAST

Rim: 960.09' Rim to Invert: 13.19' Slack: 0.28" Sump: 0" Step Position: 0°

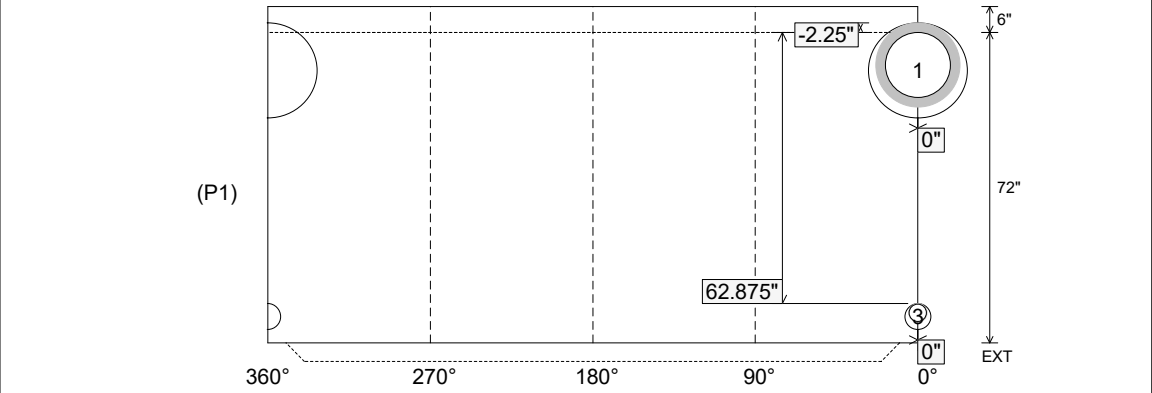
Position	Elev	Angle	Ext. (cw)	Pipe	Pipe OD	Connector	Hole	Horz Size	Up ()	Offset
Invert 1	946.9'	0°	0"	15" RCP B WALL	19.5"	Hole 22	22"	22.854"	-2.25"	0"
Invert 2										
Invert 3	952.15'	0°	0"	4" PVC SDR35	4.25"	Hole 6	6"	6.016"	62.875"	0"
Invert 4										
Invert 5										
Invert 6										
Invert 7										
Invert 8										

RIGHT-SIDE UP VIEW (int. dimensions)

UPSIDE-DOWN VIEW (int. dimensions)



INSIDE WALL DIMENSIONS



Coating (Int): Coating (Ext):	Seam Up: Tongue Seam Dn: n/a	Wall Thickness: 5" Floor Height: 6"	Height (Int): 72" Height (Ext): 78"	Weight (Net): 6184 lb Volume (Net): 1.58cu.yd
----------------------------------	---------------------------------	--	--	--