

Job Name: 25-4787 - East Vine St Wall
Job Location: Lexington, KY
Contractor: Lagco Inc.

PC: Celina Goff
 TECH: Jared - A
 Plant: 100



Structure ID: **A2 (1)**

Spec: KYTC
 Type: CBI TYPE B (10') private
 Size: 24" x 24"

Rim: 953.38'
 Invert: 946.21'
 Rim to Invert: 7.17'

Sump: 0"
 Floor (Top): 946.21'
 Floor Height: 8"

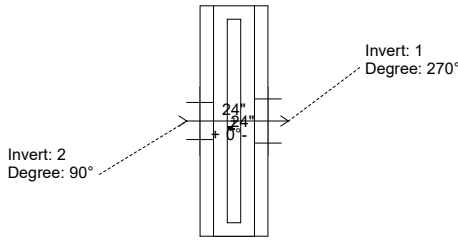
Floor (Bot): 945.543'
 Overall Height: 7.833'
 Slack: 0.04"

Structure Notes:

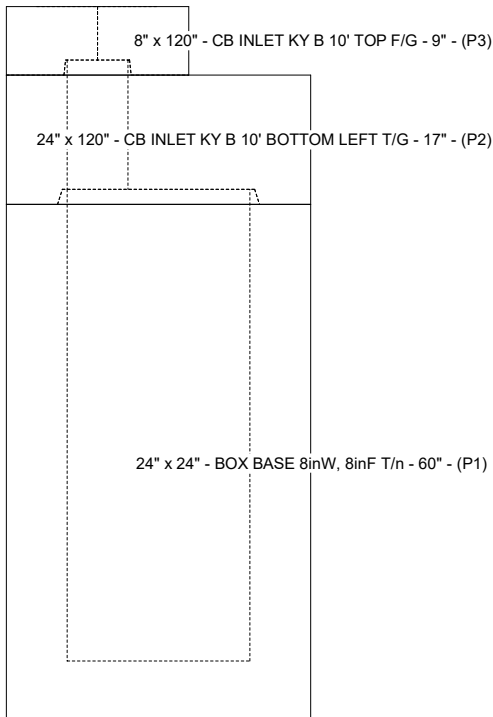
- PER KYTC CBI TYPE B (10') / ASTM C-913 SPECS
- CONCRETE: 4,000 PSI AT 28 DAYS
- REINFORCEMENT:
 - TOP PHASE TOP: #5 BAR @ 6" C.C. E.W. (GRADE 60)
 - TOP PHASE BOTTOM: #5 BAR @ 12" C.C. E.W. (GRADE 60)
 - PIPE CHAMBER: #5 BAR @ 12" C.C. E.W. (GRADE 60)
- NO STORM INVERT
- NO STEPS
- HOE KY-345 FRAME & GRATE SUPPLIED BY ICAST

STRUCTURE SUMMARY:

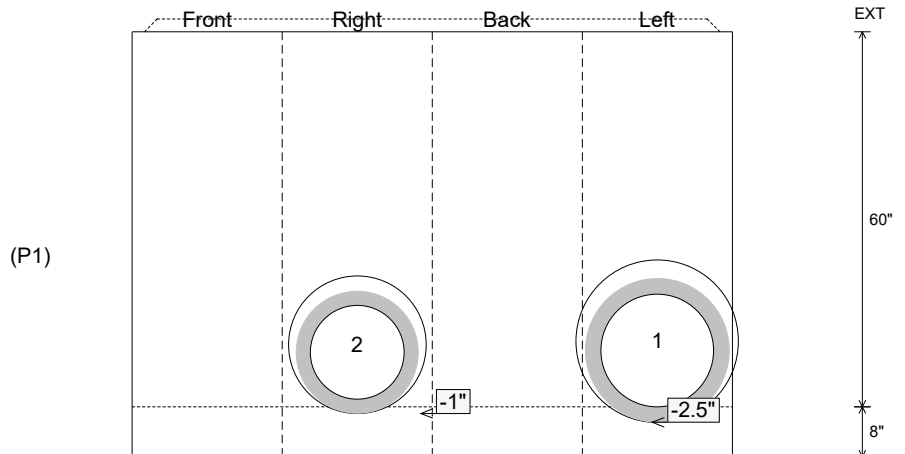
P3) 8" x 120" - CB INLET KY B 10' TOP F/G - 9"	1660 lb
P2) 24" x 120" - CB INLET KY B 10' BOTTOM LEFT T/G - 17"	2650 lb
P1) 24" x 24" - BOX BASE 8inW, 8inF T/n - 60"	5707 lb
1) CASTING - HOE KY-345 SET (CBI B)	290 lb
1) 24" x 24" - Conseal CS-102 1.00"	0 lb
1) Hole - 26	0 lb
1) Hole - 22	0 lb
Structure Total:	10308 lb



Position	Elev	Angle	Pipe	Pipe OD	Hole	Connector	Up (")	Ref
Rim	953.38'							
Reducer								
Invert 1	946.21'	270°	18" RCP B WALL	23"	26"	Hole 26	-2.5"	P1
Invert 2	946.31'	90°	15" RCP B WALL	19.5"	22"	Hole 22	-1"	P1
Invert 3								
Invert 4								
Invert 5								
Invert 6								
Invert 7								
Invert 8								



Cast (Int. Dim.) - Interior Dimensions



Submittal Drawing
 3/18/2026 4:15:47 PM

SUBMITTAL
 APPROVED BY: