

**Job Name: 25-4779 - 877786 Founders Point Elem School**

**Job Location: Charlestown, IN**

**Contractor: Contech Engineering Solutions**

PC: T. Sekula

TECH: J. Coppage

Plant: Beaver Dam



Structure ID: 15-CS-6

Spec: Storm-Pipe Centered

Type: STM.MH

Size: 72"

Rim: 495.58'

Invert: 490.48'

Rim to Invert: 5.1'

Sump: 69"

Floor (Top): 484.73'

Floor Height: 8"

Floor (Bot): 484.063'

Overall Height: 11.25'

Slack: 3.2"

Structure Notes:

(4" TALL CASTING PROVIDED BY OTHERS)

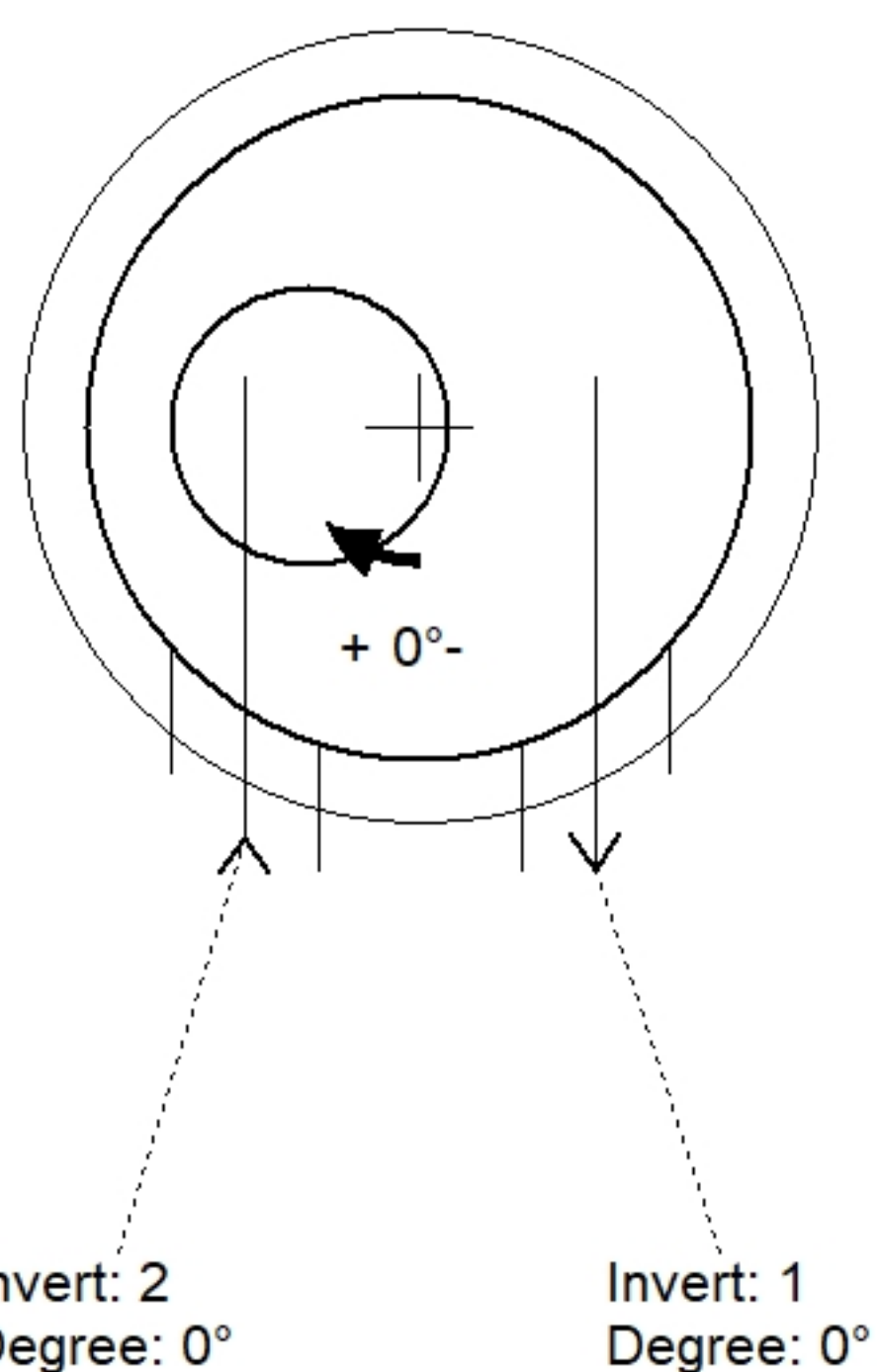
LIFTING ANCHORS TO BE INSTALLED ON THE OUTSIDE OF THE STRUCTURE

ICAST TO INSTALL THE INTERNALS

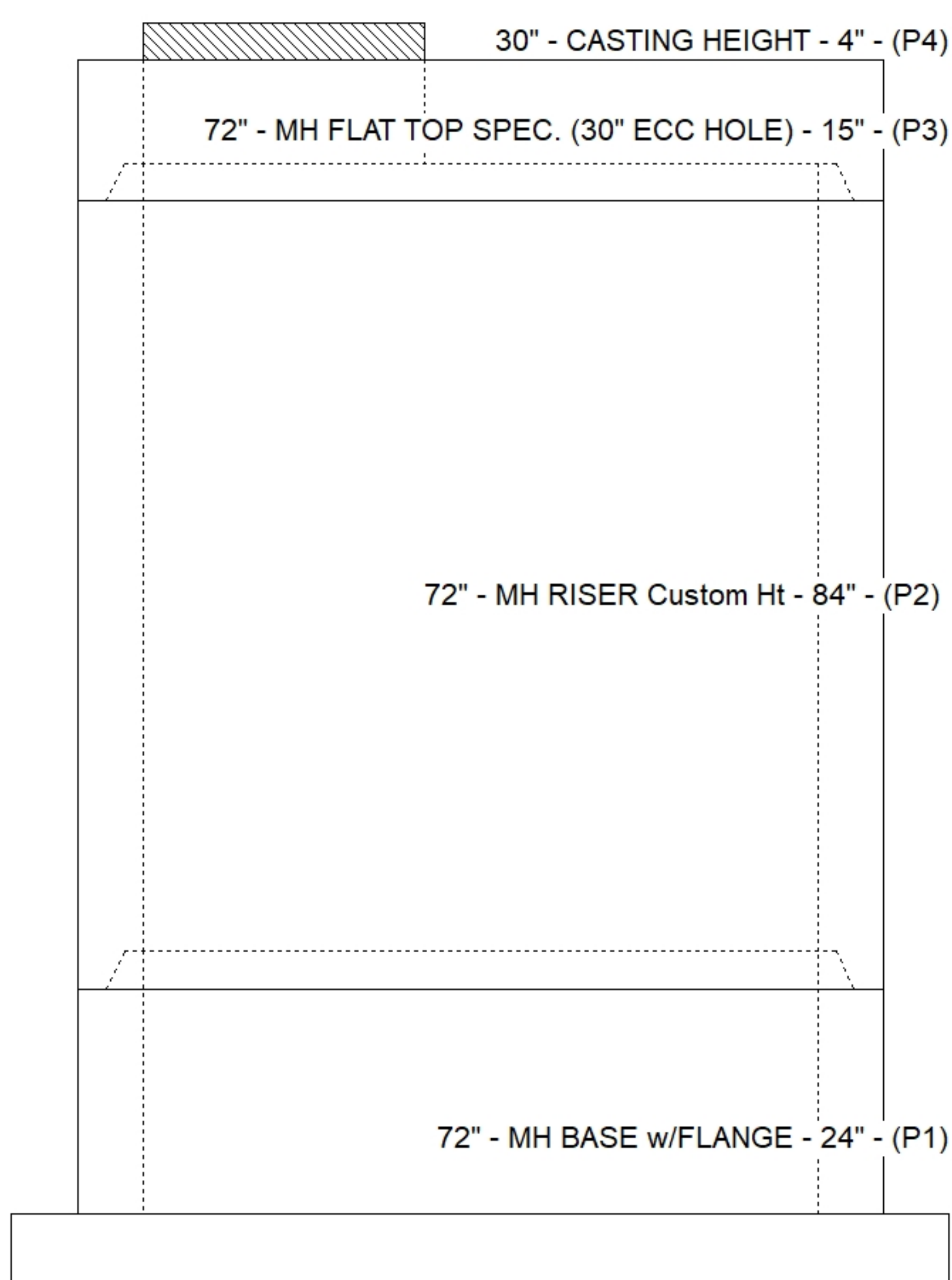
CONTECH'S LOGO AS WELL AS THE INLET AND THE OUTLET MUST BE STENCILED ONTO THE STRUCTURE

STRUCTURE SUMMARY:

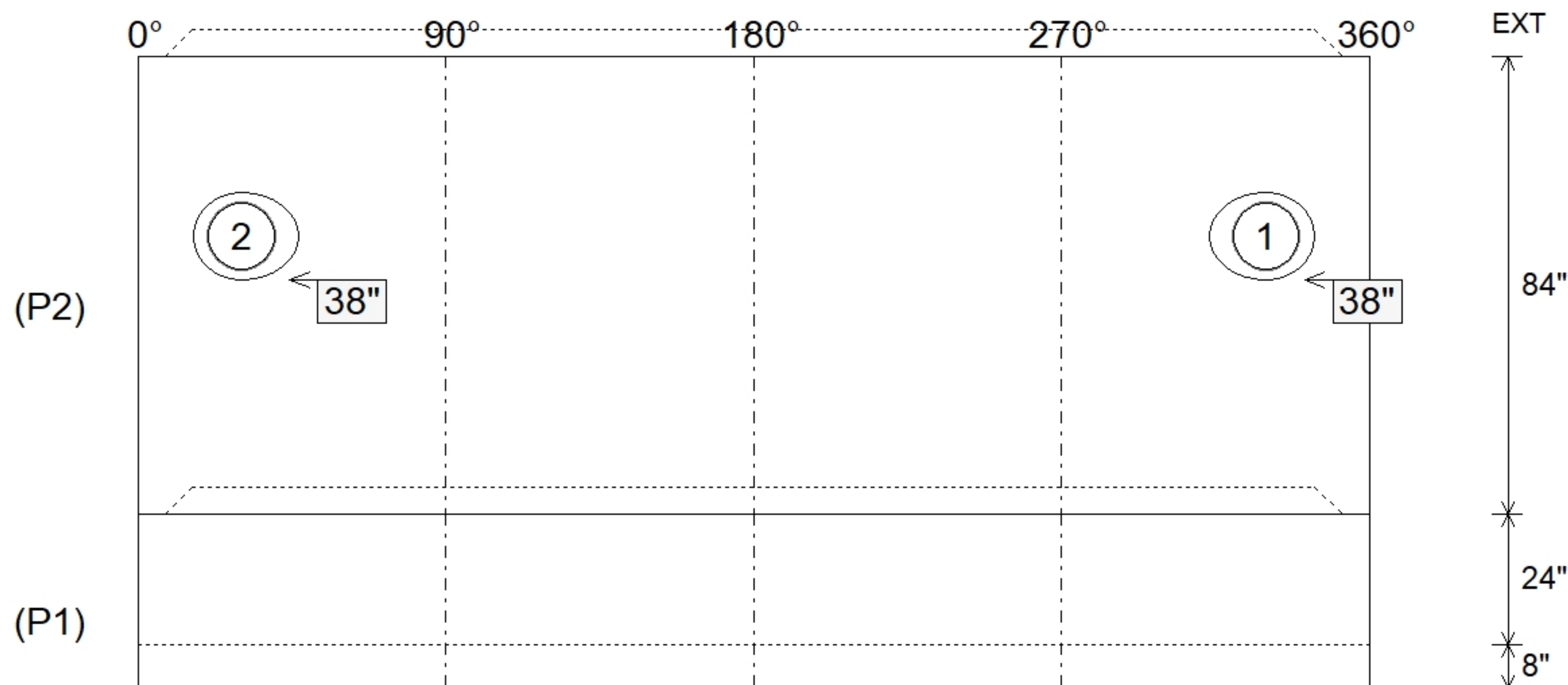
P4) 30" - CASTING HEIGHT - 4"	0 lb
P3) 72" - MH FLAT TOP SPEC. (30" ECC HOLE) - 15"	4661 lb
P2) 72" - MH RISER Custom Ht - 84"	11969 lb
P1) 72" - MH BASE w/FLANGE - 24"	8771 lb
1) CVSTENCILING	0 lb
1) ASSEMBLY REQUIRED	0 lb
1) SECONDARY POUR	0 lb
2) 72" - Conseal CS-102 1.00"	0 lb
2) Hole - 16	0 lb
	-----
Structure Total:	25401 lb



Position	Elev	Angle	Pipe	Pipe OD	Hole	Connector	Up ( )	Ref
Rim	495.58'							
Reducer								
Invert 1	490.48'	0°	12" PVC SDR35	12.5"	16"	Hole 16	38"	P2
Invert 2	490.48'	0°	12" PVC SDR35	12.5"	16"	Hole 16	38"	P2
Invert 3								
Invert 4								
Invert 5								
Invert 6								
Invert 7								
Invert 8								



**Default - Interior Dimensions**



Submittal Drawing  
1/7/2026 8:39:31 AM

SUBMITTAL  
APPROVED BY: