

**Job Name: 25-4779 - 877786 Founders Point Elem School**  
**Job Location: Charlestown, IN**  
**Contractor: Contech Engineering Solutions**

PC: T. Sekula  
 TECH: J. Coppage  
 Plant: Beaver Dam



Structure ID: **10-CS-4**  
 Spec: Storm-Pipe Centered  
 Type: STM.MH  
 Size: 48"

Rim: 511'  
 Invert: 505.98'  
 Rim to Invert: 5.02'

Sump: 51"  
 Floor (Top): 501.73'  
 Floor Height: 8"

Floor (Bot): 501.063'  
 Overall Height: 9.5'  
 Slack: 5.24"

Structure Notes:  
 (4" TALL CASTING PROVIDED BY OTHERS)

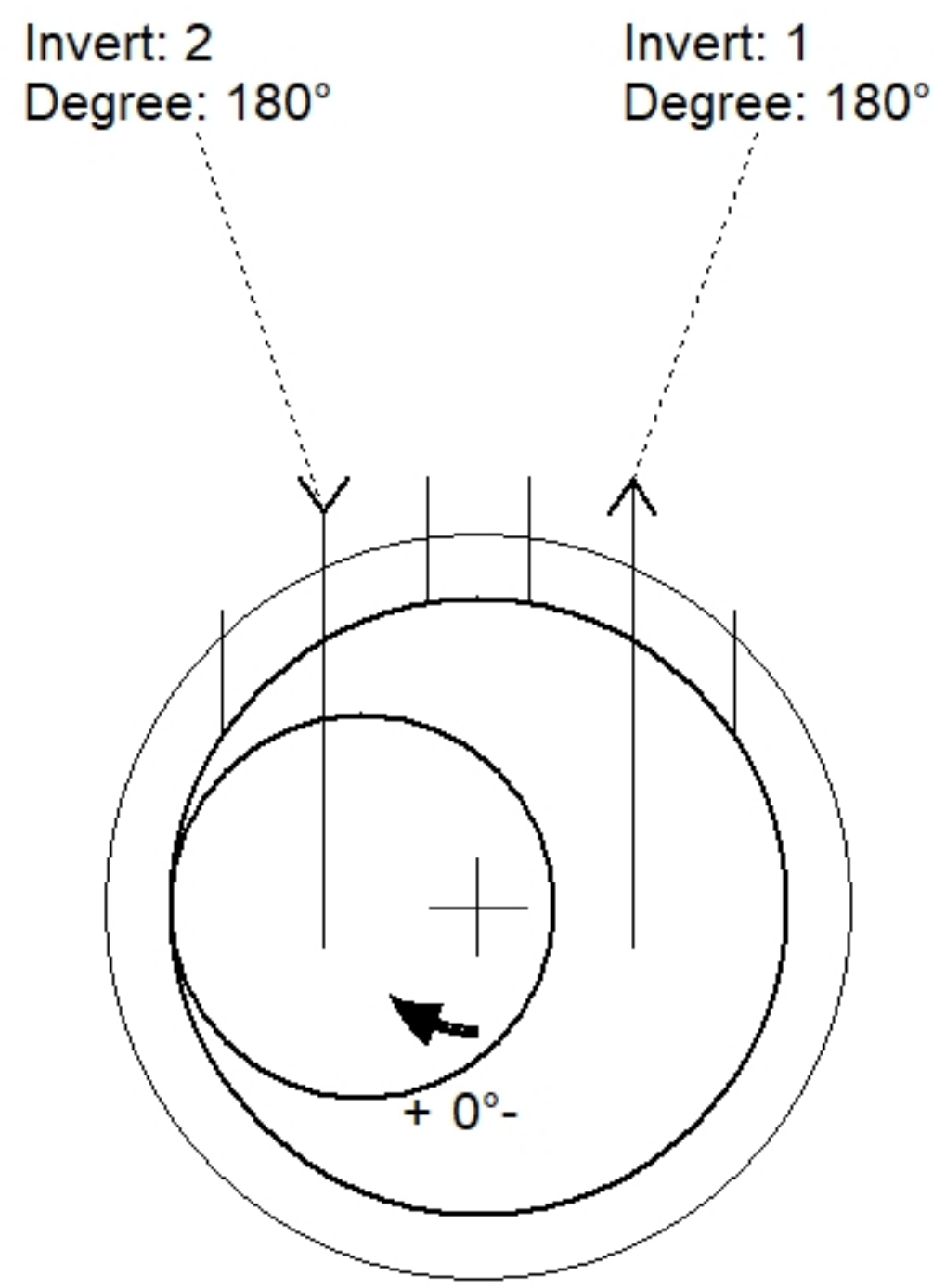
LIFTING ANCHORS TO BE INSTALLED ON THE OUTSIDE OF THE STRUCTURE

ICAST TO INSTALL THE INTERNALS

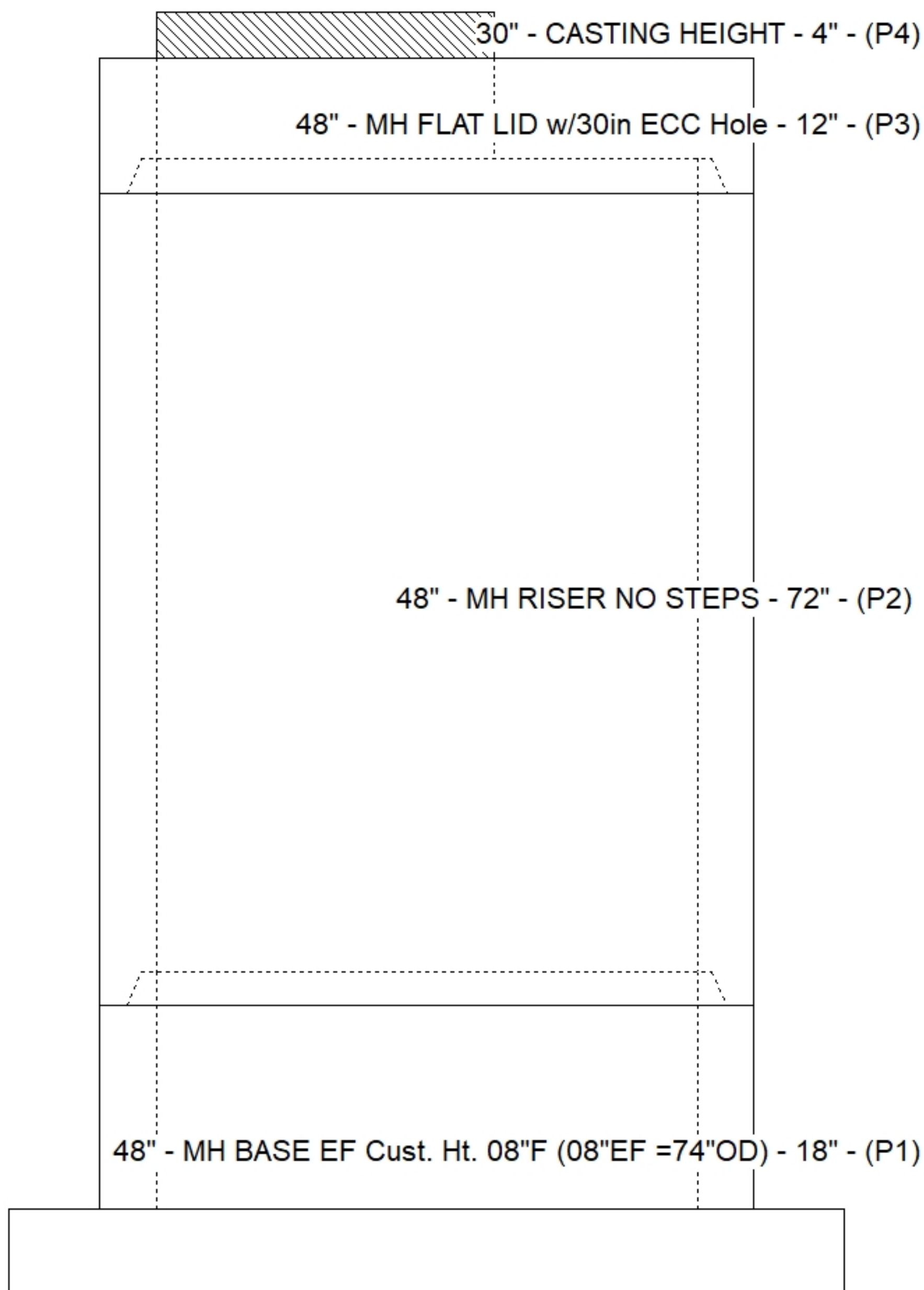
CONTECH'S LOGO AS WELL AS THE INLET AND THE OUTLET MUST BE STENCILED ONTO THE STRUCTURE

STRUCTURE SUMMARY:

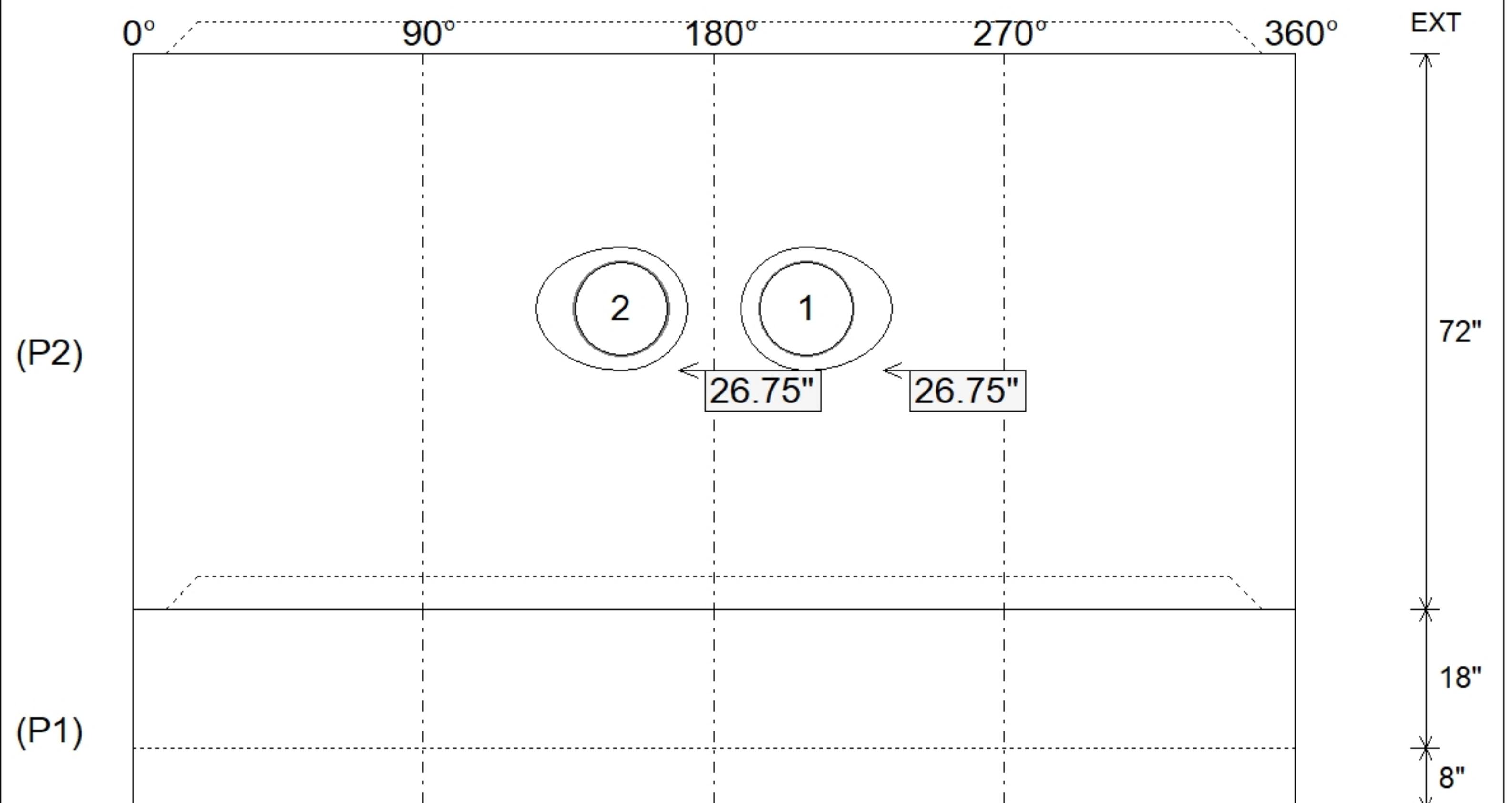
P4) 30" - CASTING HEIGHT - 4"	0 lb
P3) 48" - MH FLAT LID w/30in ECC Hole - 12"	1413 lb
P2) 48" - MH RISER NO STEPS - 72"	4831 lb
P1) 48" - MH BASE EF Cust. Ht. 08"F (08"EF =74"OD) - 18"	4145 lb
1) ASSEMBLY REQUIRED	0 lb
1) CVSTENCILING	0 lb
2) 48" - Conseal CS-102 1.00"	0 lb
2) Hole - 16	0 lb
<b>Structure Total:</b>	<b>10389 lb</b>



Position	Elev	Angle	Pipe	Pipe OD	Hole	Connector	Up (")	Ref
Rim	511'							
Reducer								
Invert 1	505.98'	180°	12" PVC SDR35	12.5"	16"	Hole 16	26.75"	P2
Invert 2	505.98'	180°	12" PVC SDR35	12.5"	16"	Hole 16	26.75"	P2
Invert 3								
Invert 4								
Invert 5								
Invert 6								
Invert 7								
Invert 8								



**Default - Interior Dimensions**



Submittal Drawing  
 1/7/2026 8:39:29 AM

SUBMITTAL  
 APPROVED BY: