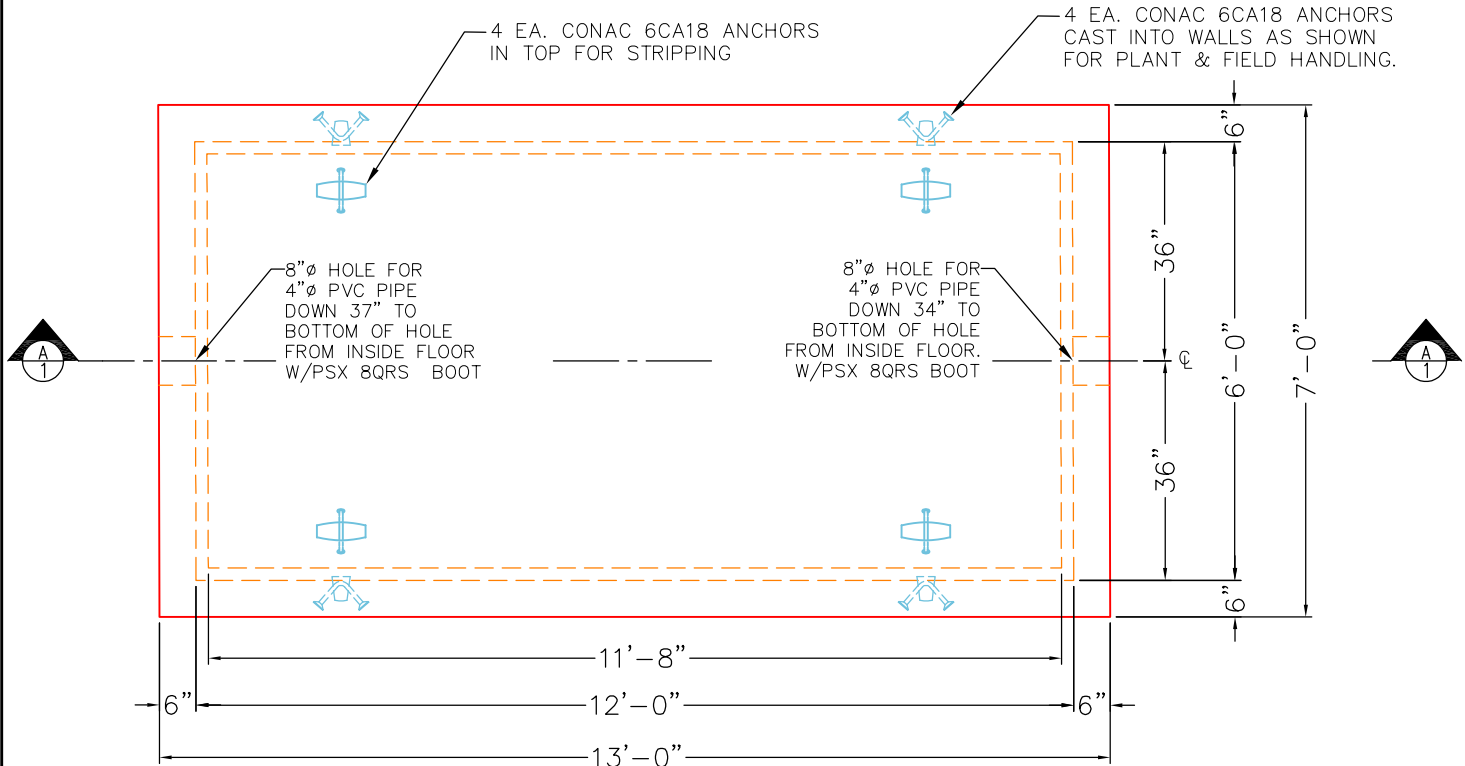
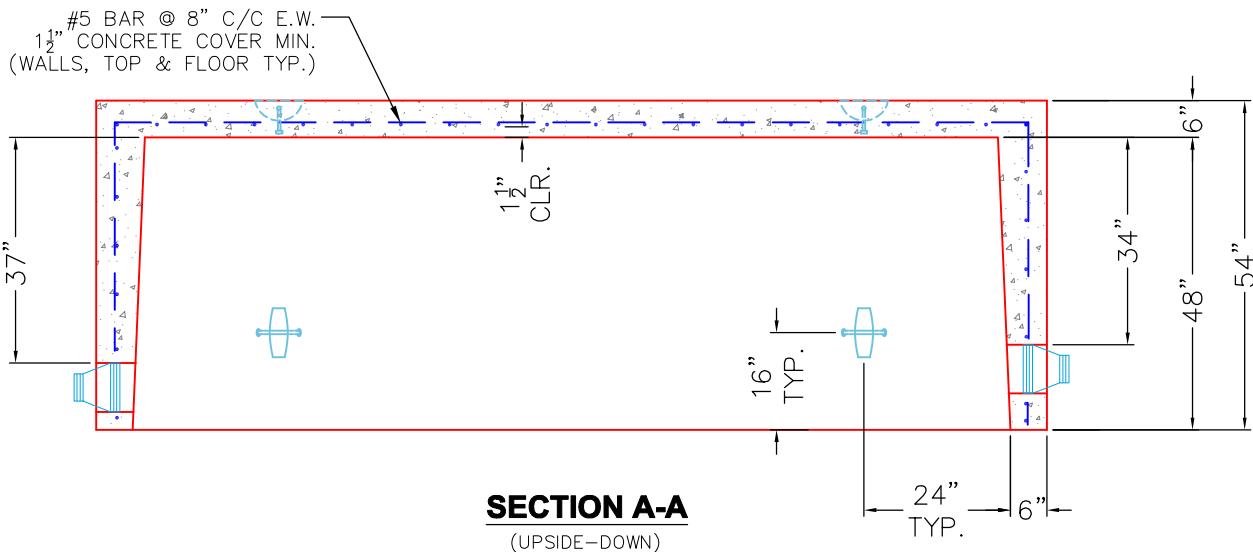


THIS DRAWING IS INTENDED TO BE PRINTED IN COLOR.



PLAN VIEW
(UPSIDE-DOWN)



SECTION A-A
(UPSIDE-DOWN)

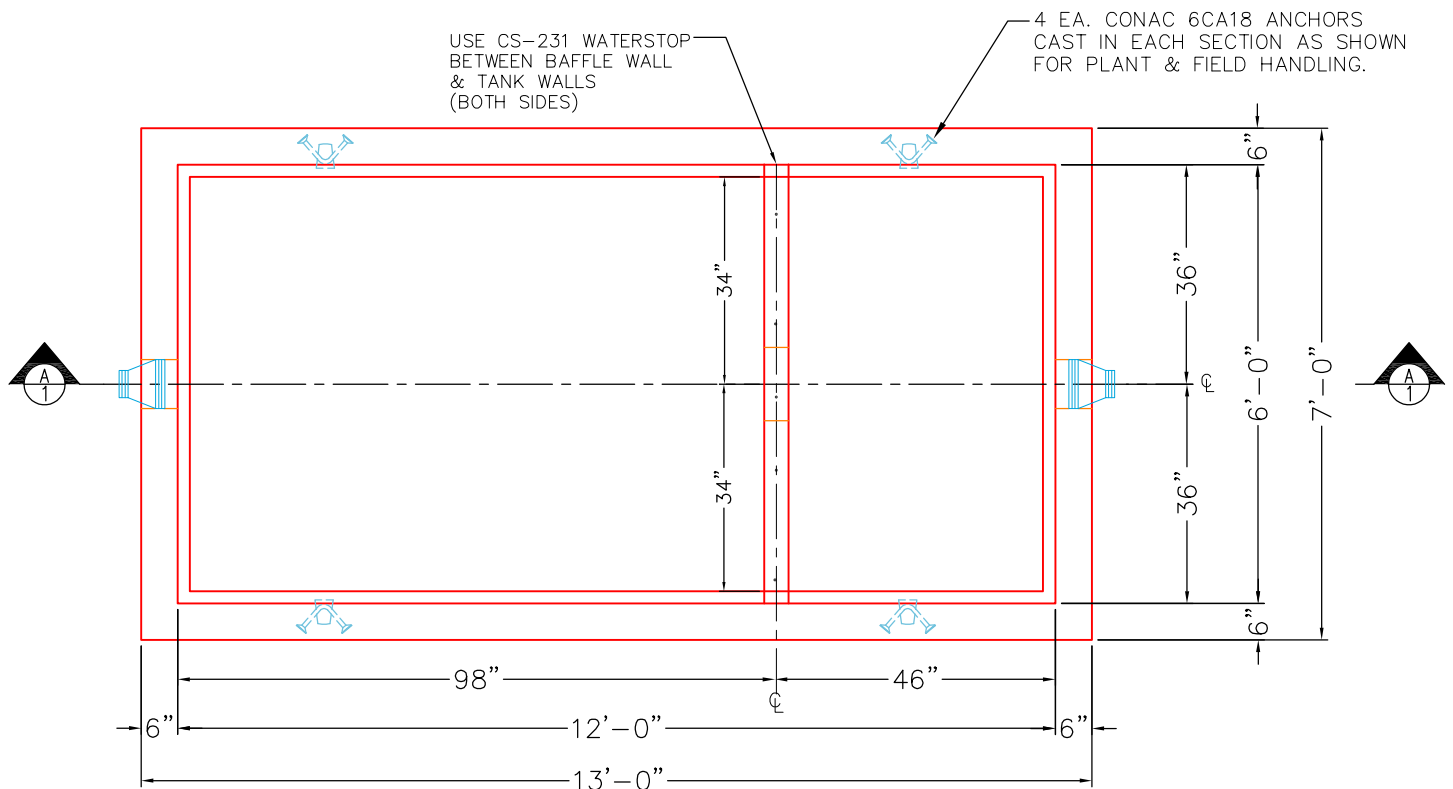
NOTES:

1. PER ASTM C-890-13 LATEST REVISION.
2. CONCRETE = 5,000 PSI AT 28 DAYS.
3. REINFORCING PER ASTM A615 (GRADE 60). (H-20 TRAFFIC RATED DESIGN)
4. SEALED WITH 1" CS-102. (6 EA. 14.5' ROLLS REQ'D.)
5. POUR BASE, THEN POUR INTERIOR BAFFLE-SEE PAGE 2 OF 2.

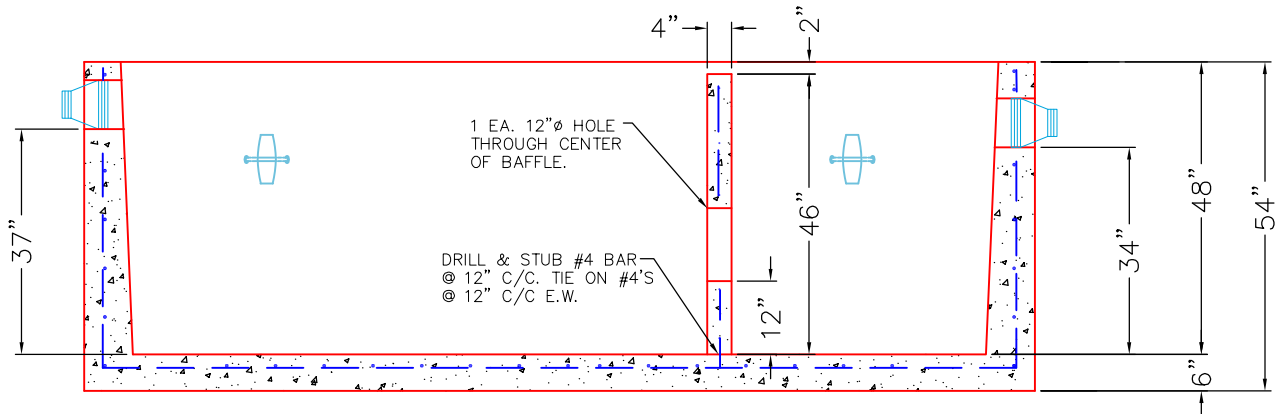
2nd POUR REQUIRED FOR BAFFLE WALL SEE PG. 2 OF 2.

PRODUCTION WORK ORDER		PRODUCT I.D.: BX072144-06W06F-VF	DESCRIPTION: Base 72in x144in x Var. Ht - 6W/6F Flat Top
	QUALITY CONTROL CHECKLIST		CUSTOMER: CHANDLER PLUMBING
	<input type="checkbox"/> ALL DIMENSIONS CORRECT. <input type="checkbox"/> LIFTERS INSTALLED. <input type="checkbox"/> HOLES LOCATION(S) CORRECT. <input type="checkbox"/> REINFORCING & SPACING CORRECT. <input type="checkbox"/> BAFFLE POURED CORRECTLY. <input type="checkbox"/> BOOTS & BANDS INSTALLED. <input type="checkbox"/> JOINT INSTALLED.		PROJECT: PADUCAH GREASE TRAP
	PRODUCT VIEW: UPSIDE-DOWN		STRUCTURE: 54746 (2)
	PLANT: BEAVER DAM, KY.		QUOTE/SALES ORDER NO: 25-4746
	WEIGHT: 20,925 LBS.		PC: J.H. ROSS, PE
TOP SECTION JOINT: N/A		DRAWING: J. HORSLEY	
BASE SECTION JOINT: FLAT		DATE: 01/20/26	
QC CHECK INITIALS:		PAGE: 1 OF 2	

THIS DRAWING IS INTENDED TO BE PRINTED IN COLOR.



PLAN VIEW
(RIGHT-SIDE UP)



SECTION A-A
(RIGHT-SIDE UP)

NOTES:

1. PER ASTM C-890-13 LATEST REVISION.
2. CONCRETE = 5,000 PSI AT 28 DAYS.
3. REINFORCING PER ASTM A615 (GRADE 60). (H-20 TRAFFIC RATED DESIGN)
4. SEALED WITH 1" CS-102. (6 EA. 14.5' ROLLS REQ'D.)
5. THIS DRAWING USED FOR POURING BAFFLE & INSTALLING BOOTS.

2nd POUR – ADD BAFFLE WALL
WEIGHT = 1,111 LBS.

PRODUCTION WORK ORDER		PRODUCT I.D.: BX72144-BAFF-4	DESCRIPTION: 12'-0" X 6'-0" X 48 GT BASE – ADD BAFFLE
	QUALITY CONTROL CHECKLIST	PRODUCT VIEW: RIGHT-SIDE UP	CUSTOMER: CHANDLER PLUMBING
	<input type="checkbox"/> ALL DIMENSIONS CORRECT.	PLANT: BEAVER DAM, KY.	PROJECT: PADUCAH GREASE TRAP
	<input type="checkbox"/> LIFTERS INSTALLED.	WEIGHT: 17,755 LBS.	STRUCTURE: 54746 (2)
	<input type="checkbox"/> HOLES LOCATION(S) CORRECT.	TOP SECTION JOINT: N/A	QUOTE/SALES ORDER NO: 25-4746
	<input type="checkbox"/> REINFORCING & SPACING CORRECT.	BASE SECTION JOINT: FLAT	PC: J.H. ROSS, PE DRAWING: J. HORSLEY
<input type="checkbox"/> BAFFLE POURED CORRECTLY.	QC CHECK INITIALS:	DATE: 01/20/26	PAGE: 2 OF 2
<input type="checkbox"/> HOLES INSTALLED IN BAFFLE.			
<input type="checkbox"/> BAFFLE SEALED TO WALLS CS-231.			